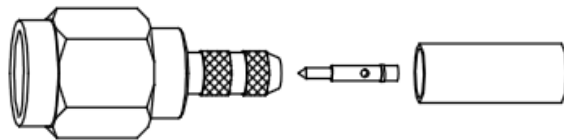
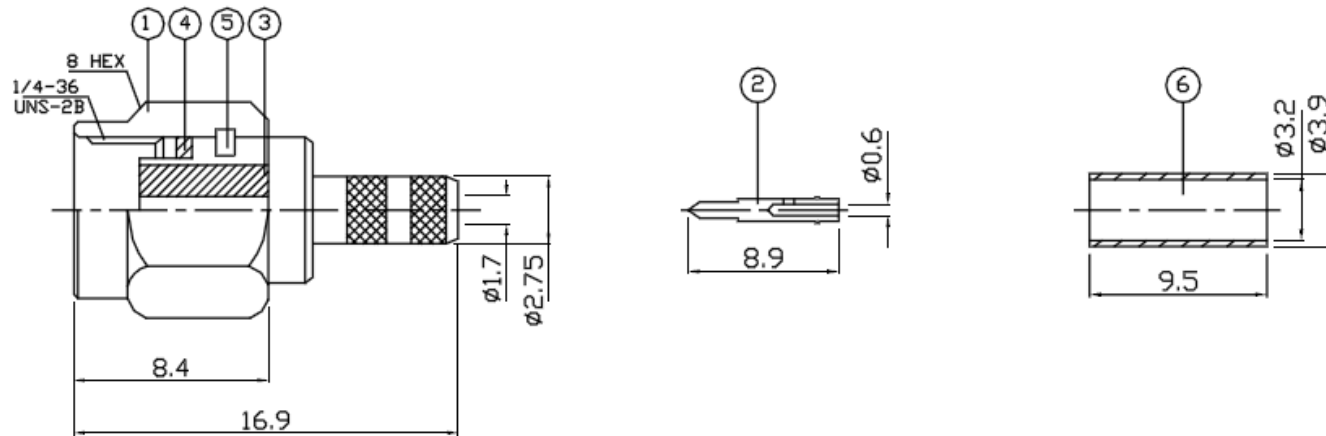


RoHS  
COMPLIANT



Scale: 2:1

6	FERRULE	1	BRASS	GOLD PLATED
5	C-RING	1	BERYLLIUM COPPER	NONE
4	GASKET	1	SILICON RUBBER	NONE
3	INSULATOR	1	TEFLON	NONE
2	CONTACT	1	BRASS	GOLD PLATED
1	BODY	1	BRASS	GOLD PLATED
NO.	DESCRIPTION	QT'Y	MATERIAL	FINISH