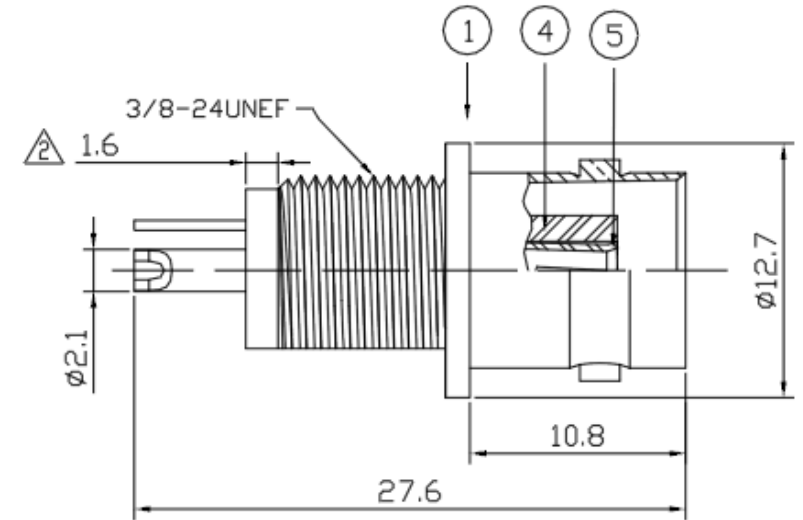
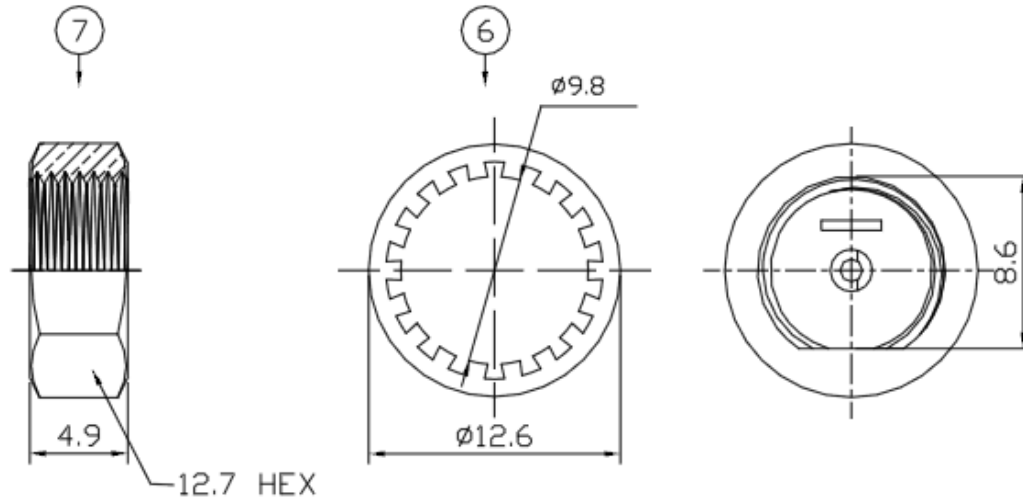
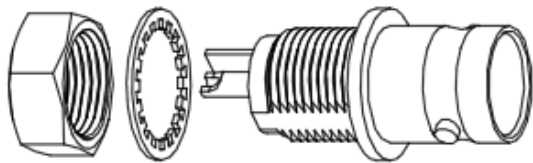


RoHS
COMPLIANT



NOTES: FINISH (PLATING THICKNESS IN MICRO-INCHES)

1. BRASS PER QQ-B-626
2. NICKEL PL 70 MIN THICK OVER COPPER STRIKE
3. GOLD PL FLUSH OVER NICKEL PL 70 MIN THICK OVER COPPER STRIKE
4. PHOSPHOR BRONZE PER QQ-B-750
5. BRASS JIS H 3100,C 2680



SCALE: 1.5 : 1



NO.	DESCRIPTION	QT'Y	MATERIAL	FINISH
7	NUT	1	NOTE 1	NOTE 2
6	WASHER	1	SS41	NOTE 2
5	CONTACT PIN	1	NOTE 4	NOTE 3
4	INSULATOR	1	ABS	WHITE
3	LOCK RING	1	NOTE 1	NOTE 2
2	GROUNDING TAG	1	NOTE 5	NOTE 2
1	BODY	1	NOTE 1	NOTE 2