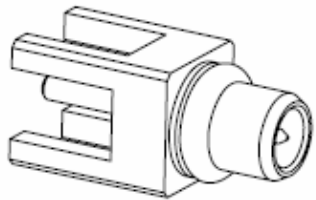
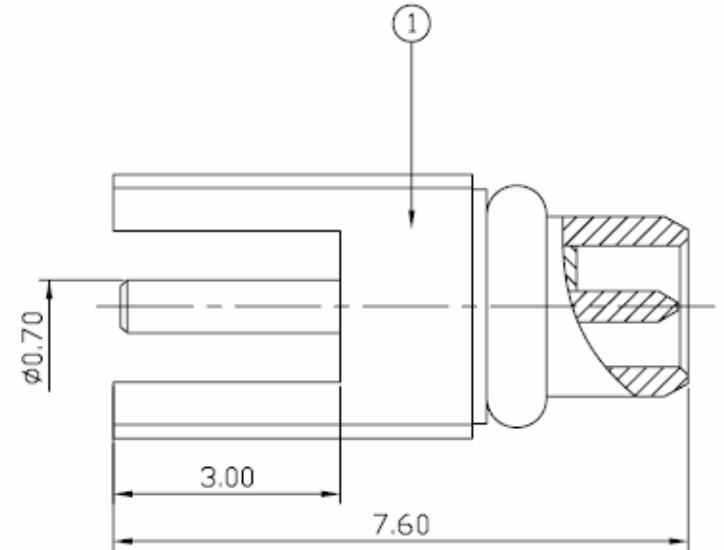
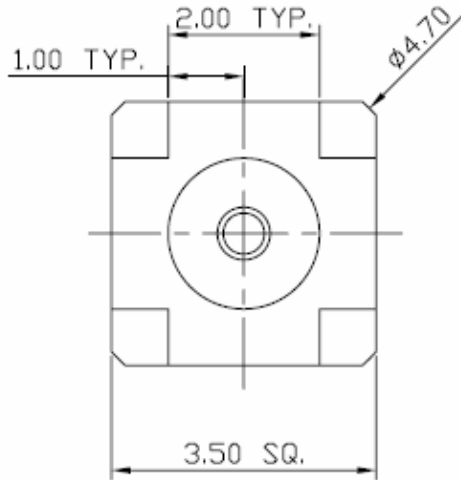


RECOMMENDED P.C.B. LAYOUT



Scale: 5 : 1

1	RING	1	BERYLLIUM COPPER	GOLD PLATED
	INSULATOR	1	TEFLON	NONE
	CONTACT	1	BRASS	GOLD PLATED
	BODY	1	BRASS	GOLD PLATED
NO.	DESCRIPTION	QT'Y	MATERIAL	FINISH