

Cable	RG174U
OD	Ø2.7±0.15mm
Cover	Black (黑)
SMA F B型	Gold (金)

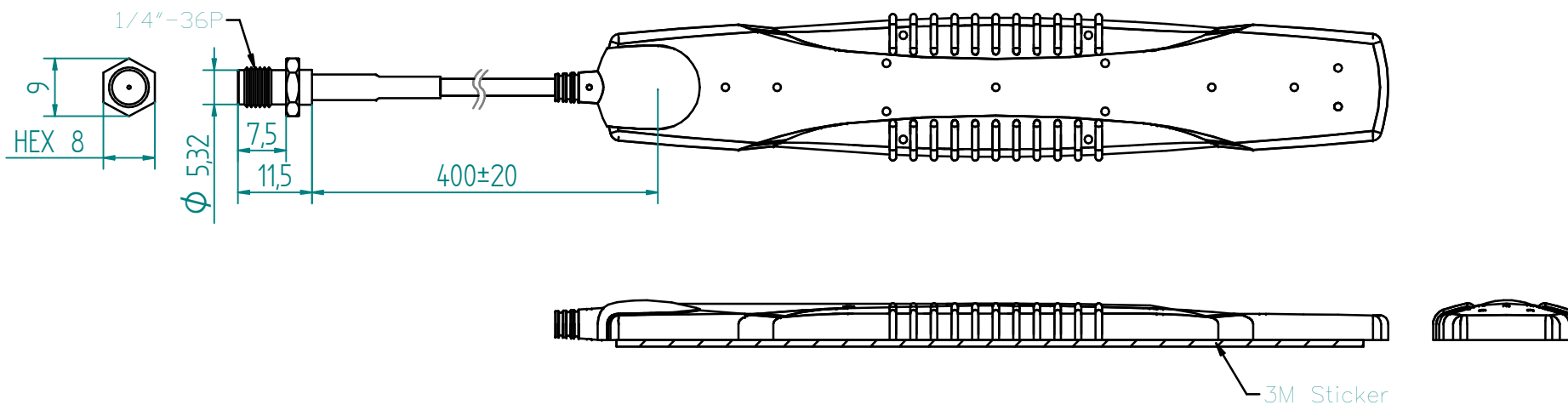
Frequency	690~960MHz
	1770~2700MHz
	4G/LTE
V.S.W.R	2.0:1
Impedence	50Ω
Gain	2.5 dB

3M Sticker	1.2mm
	PK-L15.0X117B-023
P.C 板	C09-1(800M)
	PB-92800FR4-004

ROHS

ISO 9001
ISO 14001

注意：需另附酒精棉片



Material:		Treatment:		竣茂工業有限公司		Chinmore Industry CO .LTD	
Drawer	Design	Aprov	Tolerance	Unit: mm		TITLE	SMA F+174U+C09-1
			X=±0.5 .X=±0.2 .XX=±0.1 .XXX=±0.05	Ver: A	Scale 1:1	Model NO	
				File NO: QR0402		Drawing NO	

NO	DESCRIPTION	MATERIAL / FINISH	Q'TY
Part NO			