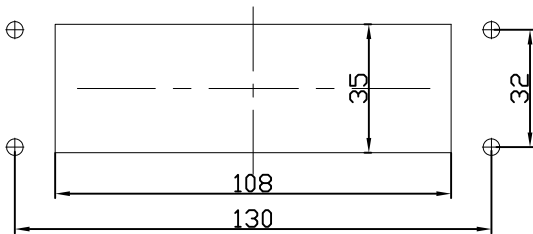
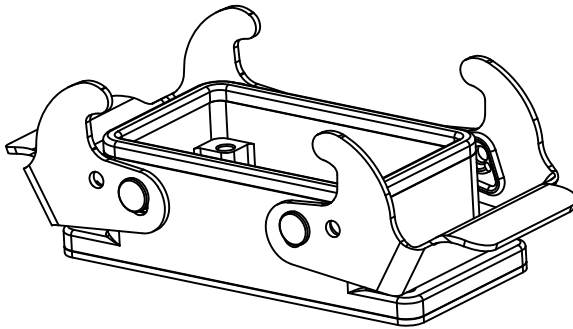
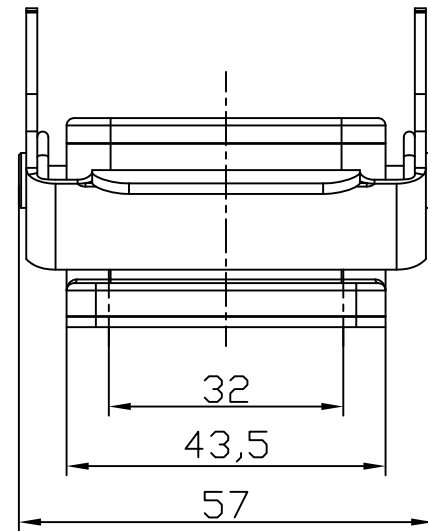
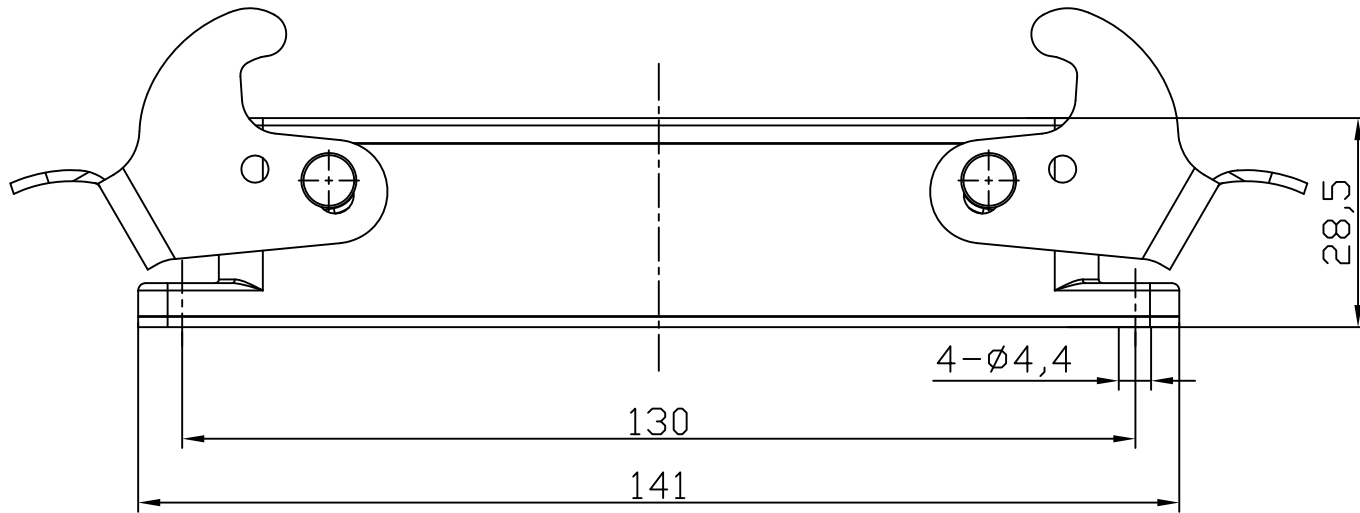


REVISION RECORD				
REV	ECN	DESCRIPTION	DRFT	DATE



(1:2) Panel cut out

DETACHED LISTS	PART NO.:	/		
	APPD:	NAME: D24B-BK-2L		
	CHKD:	TITLE: ASSEMBLY DRAWING		
	DRFT:	DRAWING NO.:	REV	T0-1
	 THIRD ANGLE PROJECTION		MM (INCH)	DO NOT SCALE DRAWING
		SCALE	1:1	

H
G
F
E
D
C
B
A

H
G
F
E
D
C
B
A