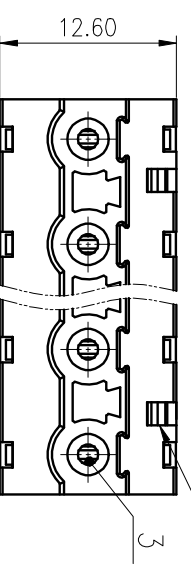
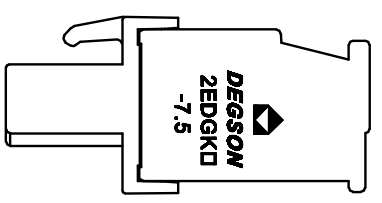
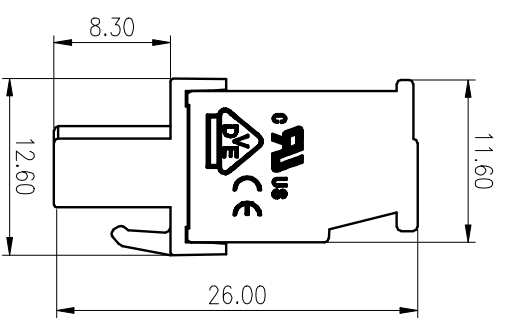
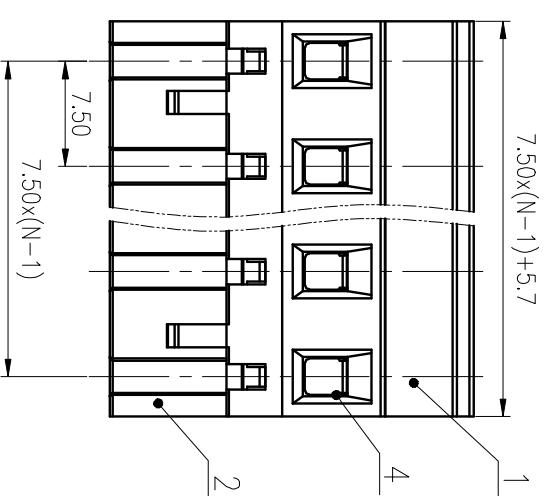
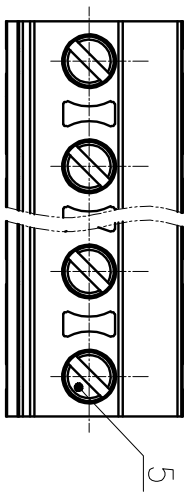


精度等级/General Tolerances(mm)		尺寸/Dimensions											
0	>3	>6	>10	>18	>30	>50	>80	>120	>180	>280	>315	>400	0.1/10
~	~	~	~	~	~	~	~	~	~	~	~	~	~
3	6	10	18	30	50	80	120	180	250	315	400	500	>500
±0.12	±0.18	±0.22	±0.26	±0.31	±0.37	±0.57	±0.80	±0.93	±1.05	±1.15	±1.60	±2.20	±2.50
													±Z



02P: Clasp on the right from this view

5	Screw	Steel	M3/Zn Plated
4	Cage	Copper alloy	M3/Ni Plated
3	Clamp	Copper alloy	Sn Plated
2	Cover	PA66	UL94V-0
1	Housing	PA66	UL94V-0

UL 标准 /UL Standard:	B	C	D
额定电压/电涌/Rated Voltage(V)/Current(A)	300/15	/	300/10
IEC 标准 /IEC Standard:	B	C	D
过压类别/Overvoltage Category/污染等级	III/3	III/2	II/2
污染度/Pollution Degree	/	400/18	/
额定电压/电涌/Rated Voltage(V)/Current(A)	/	400/18	/
额定冲击电压(kV)/Rate Impulse Voltage(kV)	/	4	/
额定扭矩/螺栓预紧力/Torque Tightening(N·m/Lbin)	M3, 0.5/4.43		
线径范围(硬线和软线)/Wire Range(rigid and flexible)(mm <sup>2</sup> /AWG)	1.0~2.5/28~12		
间距/Pitch(mm)/线数范围/Poles	7.5/N=02~14P		
剥线长度/Stripping length(mm)	7		
使用温度范围/Operating temperature(°C)	-40~+105		
符合RoHS标准/Conform to RoHS	Yes		

MATERIAL: /

MAT NO.: /

STATUS: /

Appd: Lan CHH 2020.06.03

CHKd:Gong YZh 2020.06.03

DFT: XXY 2014.10.10

NAME: **DEGSSON® NINGBO DEGSSON ELECTRICAL CO., LTD**

2EDGKA-7.5-XXP-1Y-1000A(H)

DRAWING NO.: 2EDGKA-7.5-C11

TYPE: CUSTOMER DRAWING

SCALE: 2:1 SHEET 1/1

REV	ECN	DESCRIPTION	DFT	DATE

1

2

3

4

5

6