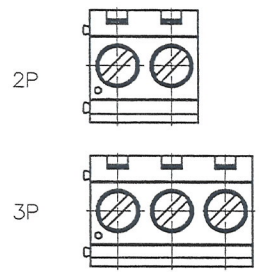
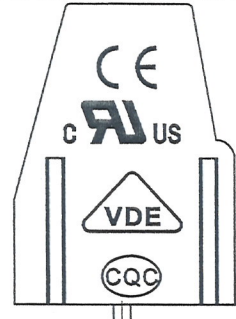


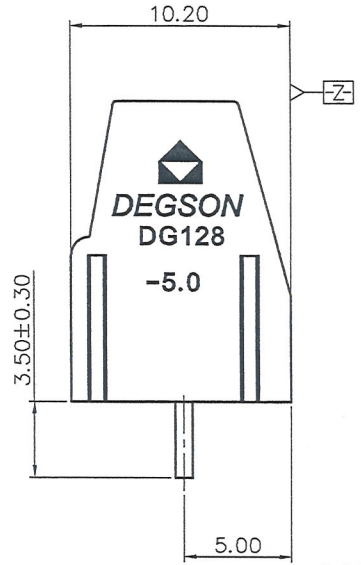
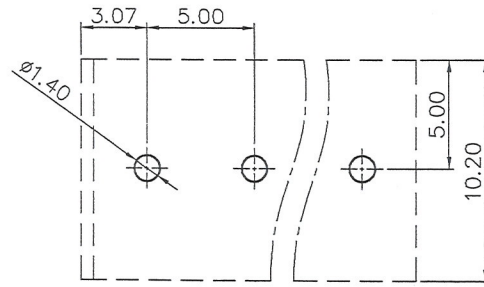
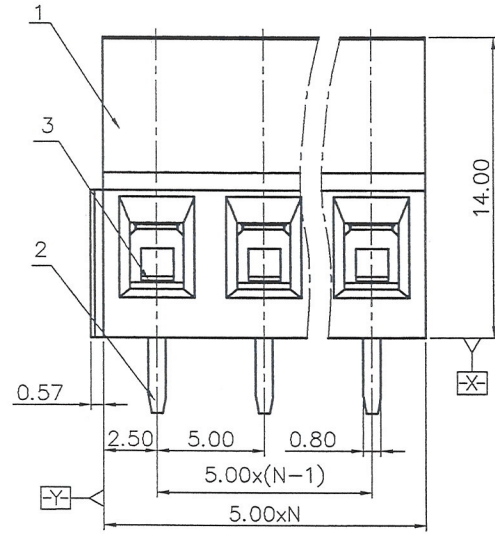
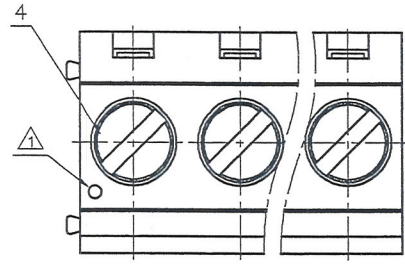
REVISION RECORD				
REV	ECN	DESCRIPTION	DRFT	DATE
△	18-0222	Add a pit on the housing	CSL	2018.07.04



Other poles splicing by 02P or 03P



0.80

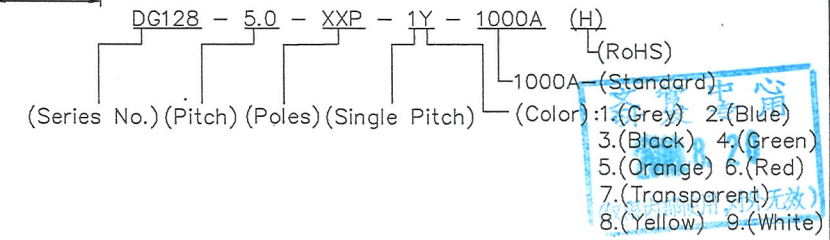


- NOTES1:
- UL Standard
- Rated voltage/current : 300V / 20A
 - Torque value : M3 , 4.43Lb.in
 - Wire range : 30~12AWG
- IEC Standard
- Rated voltage/current : 250V /18A
 - Torque value : M3 , 0.5N·m
 - Wire range : 1.0~2.5mm²

- NOTES2:
- Dimension shall be interpreted per ASME Y14.5-2009
 - Pitch : 5.00mm, Poles : N=02~24P
 - Stripping length : 6~7mm
 - Withstanding voltage : AC2000V/1Min
 - Operating temperature: -40°C~+105°C
 - Undimensioned tolerances:

Pitch range in mm	Nominal dimension range in mm						0.1/10	
	Over 6 TO 10	Over 10 TO 24	Over 30 TO 60	Over 60 TO 100	Over 100 TO 150	Over 150		
±0.15	±0.20	±0.30	±0.30	±0.50	±0.70	±1.00	±1.30	±2'

7.RoHS Compliance



ITEM	NAME OF PART	MATERIAL	NOTES
4	Screw	Steel	M3/Zn plated
3	Cage	Copper alloy	M3/Ni plated

PART NO.: /		宁波高松电子有限公司 NINGBO DEGSON ELECTRICAL CO., LTD	
APPD: <i>Amor 2018.7.11</i>	NAME: DG128-5.0-XXP-1Y-1000A(H)		
CHKD: /	TITLE: CUSTOMER DRAWING		
DRFT: LHM 2018.01.10	DRAWING NO.: DG128-5.0-C87	REV	T1
THIRD ANGLE PROJECTION		SHEET	1/1
MM (INCH)		DO NOT SCALE DRAWING	SCALE 1:1