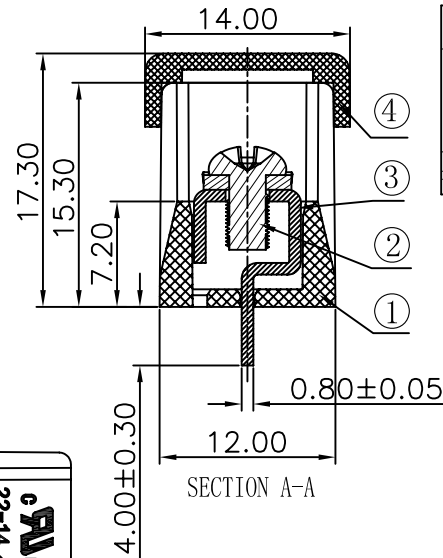
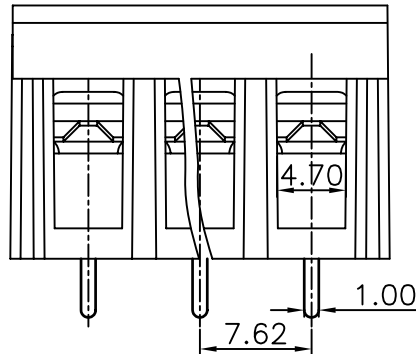
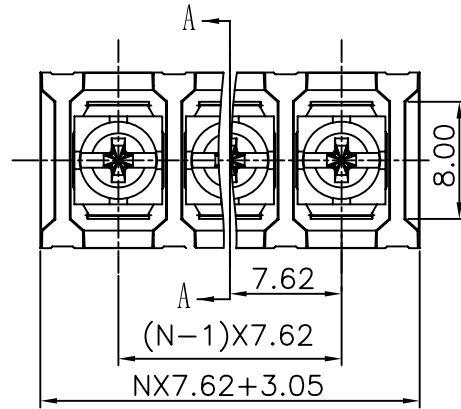


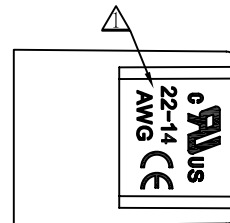
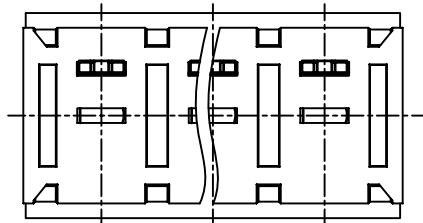
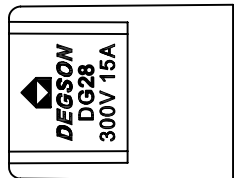
REVISION RECORD				
REV	ECO	DESCRIPTION	DRFT	DATE
△		增加UL刻字	CSX	03/21/07
△		品名、料号增加环保标识“(H)”	YeJ	12/08/07



Notes:

1. Pitch:7.62mm , Poles:2-26P
2. Rated current:15A
3. Rated voltage:300V
4. Operation temperatures:-40° C~+105° C
5. Insulation Withstand Voltage:AC2000V/Min
6. Insulation Resistance:500MΩ /DC500V
7. Wire Range:22~14AWG
8. Max. Torque Value:5.1kgf. cm
9. Undimensioned Tolerances:

Pitch range in mm	Nominal dimension range in mm						—	
	over 6 to 6	over 10 to 10	over 24 to 24	over 30 to 30	over 60 to 60	over 100 to 100		over 150 to 150
±0.10	±0.15	±0.25	±0.2	±0.3	±0.5	±0.7	±1.0	0.05/10



4	DG28-Cover	5006C07XXA (H)	1	PC	
3	DG28C Pin header	5006B00010 (H)	XX	Brass	SnCe plated
2	M3*6(6*6)bright Screws	S000000450 (H)	XX	Steel	Ni plated

1	DG28-B-本体	5006A0YXXA (H)	1	PA66+23%GF	UL94V-0																											
ITEM	NAME OF PART	NO. OF PART	Q"TY	MATERIAL	NOTES																											
<table border="1"> <tr> <td>MM (INCH)</td> <td>DFTO Zhuwm</td> <td>DATE 03/13/06</td> </tr> <tr> <td>TOLERANCES EXCEPT AS NOTED</td> <td>CHKD</td> <td>DATE</td> </tr> <tr> <td></td> <td>MFO</td> <td>DATE</td> </tr> <tr> <td></td> <td>APPVL</td> <td>DATE</td> </tr> <tr> <td colspan="3">MATERIAL :</td> </tr> <tr> <td colspan="3">ANGLES ± 1°</td> </tr> <tr> <td colspan="3">G.E :</td> </tr> <tr> <td colspan="3">FINISH :</td> </tr> <tr> <td colspan="3">THIRD ANGLE PROJECTION</td> </tr> </table>		MM (INCH)	DFTO Zhuwm	DATE 03/13/06	TOLERANCES EXCEPT AS NOTED	CHKD	DATE		MFO	DATE		APPVL	DATE	MATERIAL :			ANGLES ± 1°			G.E :			FINISH :			THIRD ANGLE PROJECTION			宁波高正电子有限公司 DEGSON ELECTRONICS CO., LTD NAME DG28C-B-XXP-1Y-00A (H)			
MM (INCH)	DFTO Zhuwm	DATE 03/13/06																														
TOLERANCES EXCEPT AS NOTED	CHKD	DATE																														
	MFO	DATE																														
	APPVL	DATE																														
MATERIAL :																																
ANGLES ± 1°																																
G.E :																																
FINISH :																																
THIRD ANGLE PROJECTION																																
DRAWING NO. DG28C-E02				SIZE A3	REV T2																											
/PART NO.				DO NOT SCALE DRAWING	SHEET 1 OF 1																											