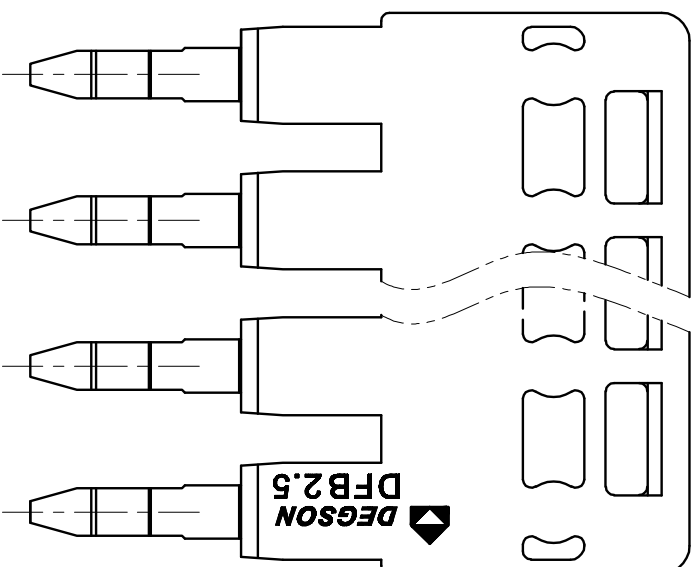
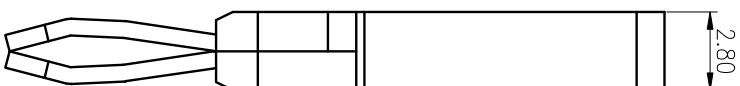
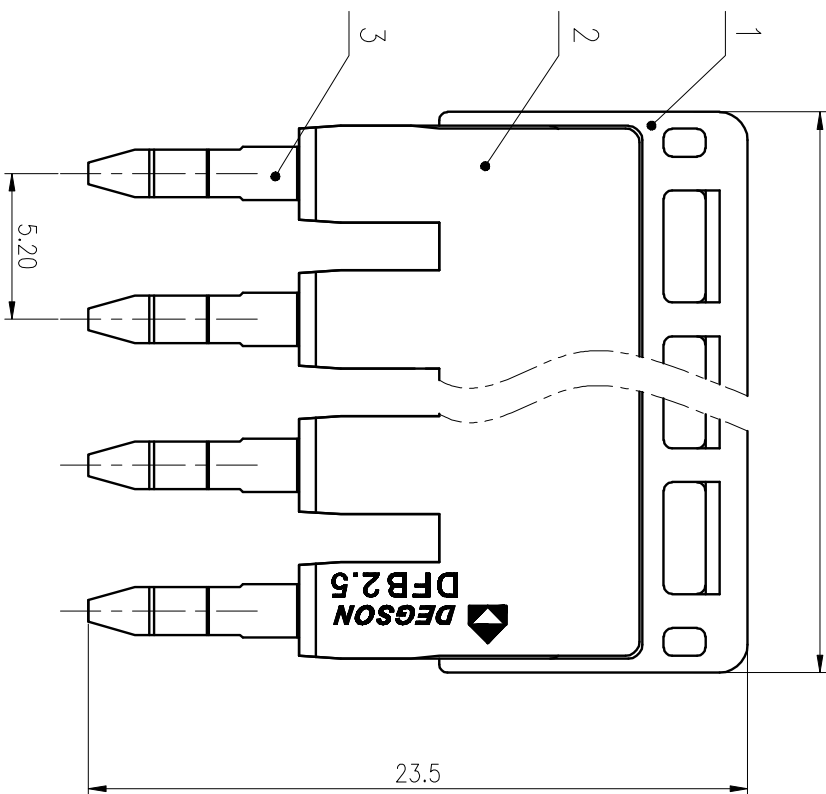


5.2X(N-1)+4.4



精度等级/General	tolerance/(mm)	0	>3	>6	>10	>18	>30	>50	>80	>120	>180	>250	>315	>400	>500	0.1/1/10
~	~	~	~	~	~	~	~	~	~	~	~	~	~	~	~	±Z
±0.12	±0.18	±0.22	±0.26	±0.31	±0.37	±0.57	±0.80	±0.93	±1.05	±1.15	±1.60	±2.20	±2.50	±2.50	±Z	
使用温度范围/Operating temperature(°C)														5.20/N-02~+10P		
符合RoHS环保要求/Conform to RoHS														-40~+105		
														Yes		

ITEM	NAME OF PART	MATERIAL	NOTES
3	Bridgework	Copper	Sn Plated
2	Cover	PA66	UL94V-0
1	Housing	PA66	UL94V-0

MATERIAL: / SURFACE: /

MAT NO.: /

STATUS: /

APPD: LI GL 2020.06.04

CHKD: Mdo J 2020.06.04

DRAFT:ZhengQG 2020.06.04

DEGSON 宁波高松电子有限公司
NINGBO DEGSON ELECTRICAL CO.,LTD

NAME: DFB2.5-XXP-1Y-00A(H)

DRAWING NO.: DFB2.5-C01

TYPE: CUSTOMER DRAWING

SCALE: 4:1

REV	ECN	DESCRIPTION	DRAFT	DATE	REV	ECN	DESCRIPTION	DRAFT	DATE



SIZE: A4

TYPE: CUSTOMER DRAWING

SCALE: 4:1

SHEET 1/1