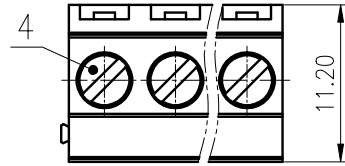
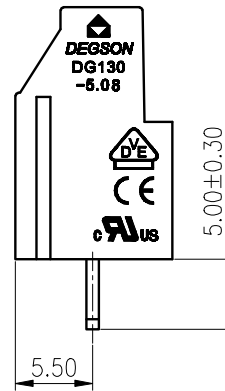
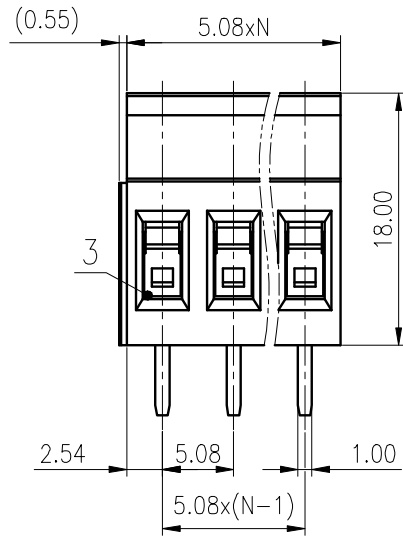
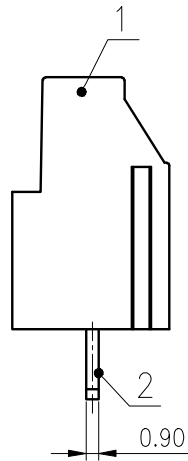


公差/General tolerances(mm)											0.1/10 ±2'		
0 ~ 3	>3 ~ 6	>6 ~ 10	>10 ~ 18	>18 ~ 30	>30 ~ 50	>50 ~ 80	>80 ~ 120	>120 ~ 180	>180 ~ 250	>250 ~ 315		>315 ~ 400	>400 ~ 500
±0.12	±0.18	±0.22	±0.26	±0.31	±0.37	±0.57	±0.80	±0.93	±1.05	±1.15	±1.60	±2.20	±2.50

A



B

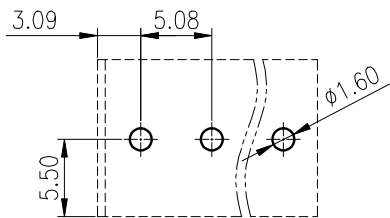


C

4	Screw	Steel	M3/Zn Plated
3	Cage	Copper alloy	M3/Ni Plated
2	Pin header	Copper alloy	Sn Plated
1	Housing	PA66	UL94V-0
ITEM	NAME OF PART	MATERIAL	NOTES

D

PCB LAYOUT



UL 标准/UL Standard:		B	C	D
额定电压/电流/Rated Voltage(V)/Current(A)		300/20	/	300/10
IEC 标准/IEC Standard:				
过压类别/Overvoltage Category/污染等级/Pollution Degree		III/2		
额定电压/电流/Rated Voltage(V)/Current(A)		250/20		
工频耐压/Withstanding voltage(V/1Min)		AC2000		
螺丝扭矩/Torque Tightening(N·m/Lb.in)		M3, 0.5/4.43		
线径范围(硬线和软线)/Wire Range(rigid and flexible)(mm ² /AWG)		0.5~2.5/26~12		
间距/Pitch(mm)/线数范围/Poles		5.08/N=2~24P		
剥线长度/Stripping length(mm)		8~9		
使用温度范围/Operating temperature(°C)		-40~+105		
符合RoHS环保要求/Conform to RoHS		Yes		

MATERIAL: /	SURFACE: /		
MAT NO.: /	宁波高松电子有限公司 NINGBO DEGSON ELECTRICAL CO., LTD		
STATUS: /			
APPD: LanCH 2020.03.19	NAME: DG130-5.08-XXP-1Y-00A(H)		
CHKD: YuJZ 2020.03.19	DRAWING NO.: DG130-5.08-C01		
DRFT: Ethan 2017.04.08	REV	T1	
SIZE: A4 TYPE: CUSTOMER DRAWING SCALE: 2:1 SHEET 1/1			

REV	ECN	DESCRIPTION	DRFT	DATE