

REVISION RECORD				
REV	ECN	DESCRIPTION	DRFT	DATE

NOTES1:

UL Standard

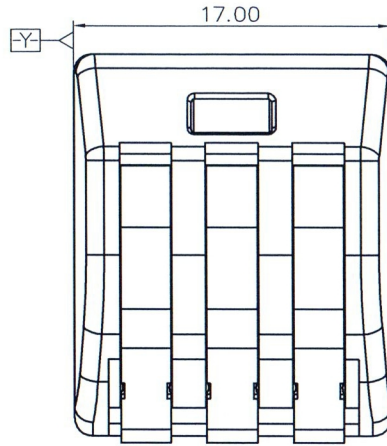
- 1.Rated voltage/current : 600V
- 2.Wire range : 28~12AWG

VDE Standard

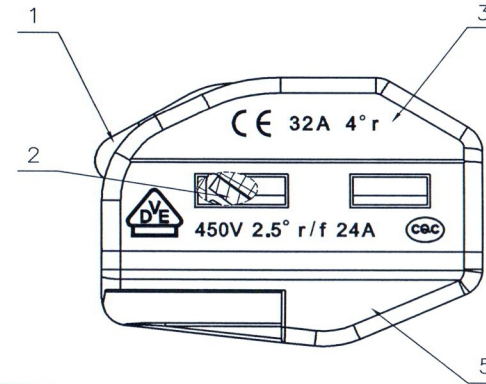
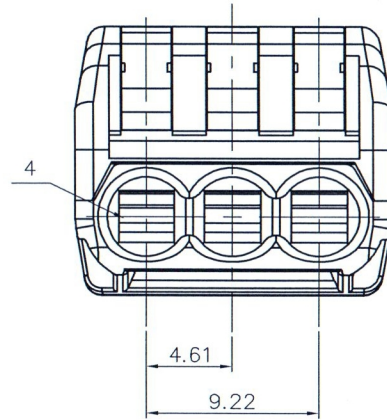
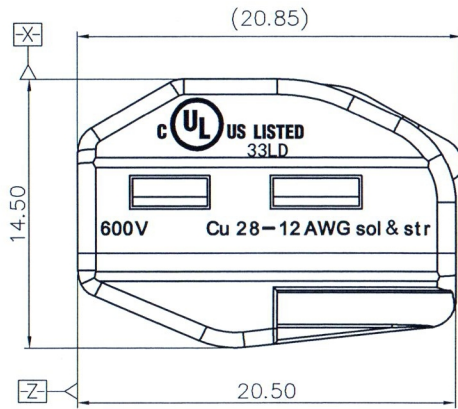
- 1.Rated voltage/current : 450V / 24A
- 2.Wire range : 0.2~2.5mm²

IEC Standard

- 1.Rated voltage/current : 450V / 32A
- 2.Wire range : 0.2~4.0mm²(sol)



DG223 - 4.61 - 03P (1Y -00A H)
 (Series No.) (Pitch) (Poles) (Single Pitch) (Color):1.(Grey)
 2.(Blue)
 3.(Black)
 4.(Green)
 5.(Orange)
 6.(Red)
 7.(Transparent)
 8.(Yellow)
 9.(White)

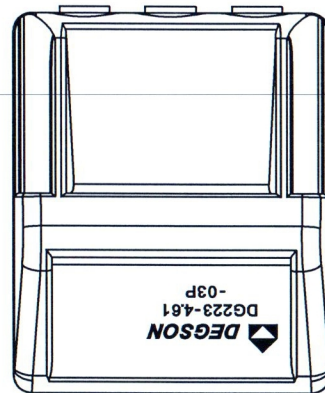


NOTES2:

- 1.Dimension shall be interpreted per ASME Y14.5-2009
- 2.Pitch : 4.61mm, Poles : 03P
- 3.Stripping length : 9~10mm
- 4.Withstanding voltage : AC2500V/1Min
- 5.Operating temperature:-40°C~+105°C
- 6.Undimensioned tolerances:

Pitch range in mm			Nominal dimension range in mm				-	∩	∇
TO	Over	Over	TO	Over	Over	Over			
6	10	24	30	60	100	150			
±0.15	±0.20	±0.30	±0.30	±0.50	±0.70	±1.00	±1.30	±2'	
								0.1/10	
								<	

7.RoHS Compliance



仅供参考图
 签字: [Signature]
 日期: 2018.9.18

ITEM	NAME OF PART	MATERIAL	NOTES
5	Housing	PA66	UL94V-0
4	Spring	Stainless steel	
3	Cover	PA66	UL94V-0
2	Current carrier	Copper	Sn Plated
1	Button	PA66	UL94V-0

DETACHED LISTS	PART NO.: /	宁波高松电子有限公司 NINGBO DEGSON ELECTRICAL CO., LTD		
	APPD: Avon 2018.9.18	NAME: DG223-4.61-03P (1Y-00AH)		
	CHKD: Perry 2018.9.18	TITLE: CUSTOMER DRAWING		
	DRFT: LJB 2018.09.15	REV: TO-1	SHEET: 1/1	SCALE: 1:1
THIRD ANGLE PROJECTION		DRAWING NO.: DG223-4.61-C02	DO NOT SCALE DRAWING	SCALE: 1:1