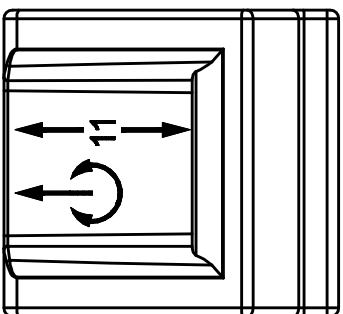
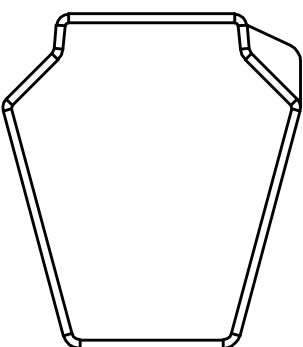
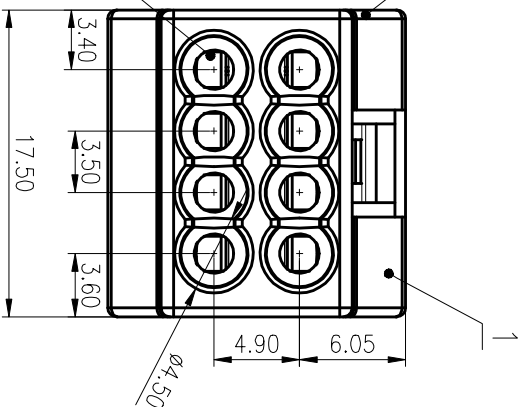
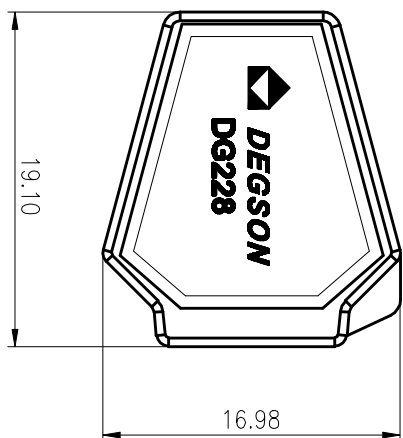
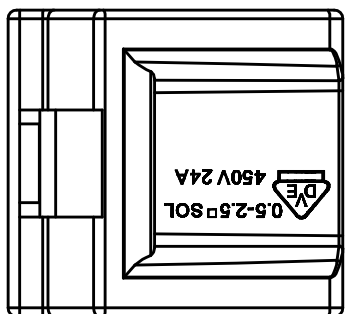


精度等级/General Tolerances(mm)		0.1/1/10											
0	>3	>10	>18	>30	>50	>80	>120	>180	>280	>315	>400	±Z	
~	~	~	~	~	~	~	~	~	~	~	>500		
3	6	10	18	30	50	80	120	180	280	315	400	500	
±0.12	±0.18	±0.22	±0.26	±0.31	±0.37	±0.57	±0.80	±0.93	±1.05	±1.15	±1.60	±2.20	±2.50



3	Cover	PC	UL94V-2
2	Metals	Steel	Sn plated
1	Housing	PC	UL94V-2
ITEM	NAME OF PART	MATERIAL	NOTES
UL 标准	UL Standard:	B	C
额定电压/电涌/Rated Voltage(V)/Current(A)	600/15	/	/
IEC 标准/IEC Standard:			
过压类别/Overvoltage Category/污秽等级/Pollution Degree	III/3	III/2	II/2
额定电压/电涌/Rated Voltage(V)/Current(A)	/	450/24	/
工频耐压/Withstanding Voltage(V/Min)	/	AC2500	/
绕线范围(绕线铜丝线)/Wire Range(rigid and flexible)(mm <sup>2</sup> /AWG)	0.5~2.5/22~14		
间距/Pitch(mm)/绕线范围/Strip length(mm)	3.5/08P		
绕线长度/Striping length(mm)	10~13		
使用温度范围/Operating temperature(°C)	-40~+85		
符合RoHS环保要求/Conform to RoHS	Yes		

MATERIAL:	/
SURFACE:	/
MAT NO.:	/
STATUS:	/
APPD: LIGL	2020.06.03
NAME:	DG228-3.5-08P-1Y-00A(H)
CHKD: Mek	2020.06.03
DRAWING NO.:	DG228-3.5-C08
TYPE:	CUSTOMER DRAWING

DEGSON® NINGBO DEGSON ELECTRICAL CO., LTD  
宁波高松电子有限公司

DG228-3.5-08P-1Y-00A(H)

DRAWING NO.: DG228-3.5-C08

TYPE: CUSTOMER DRAWING SCALE: 2.5:1 SHEET 1/1

REV ECN DESCRIPTION DRAFT DATE

1

2

3

4

5

6