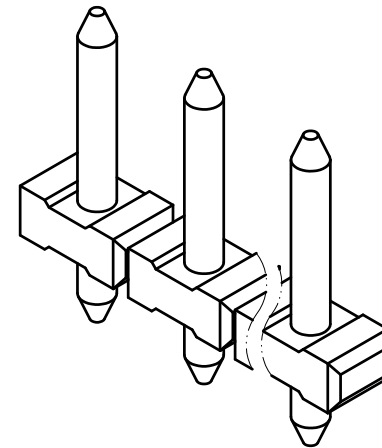
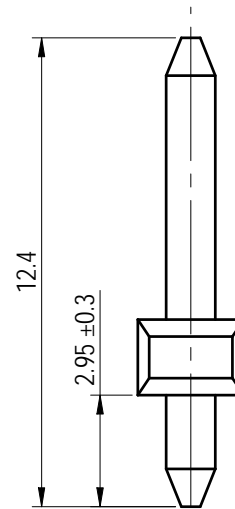
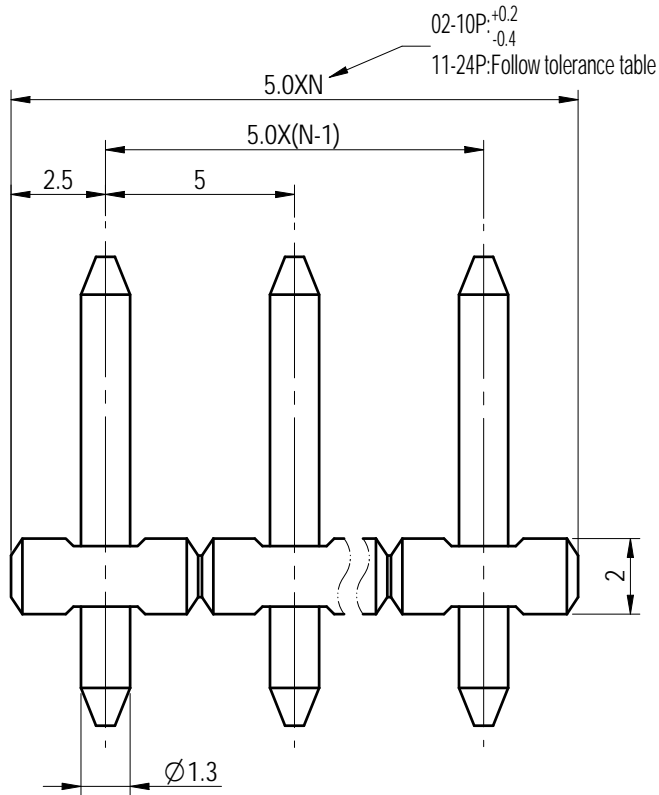
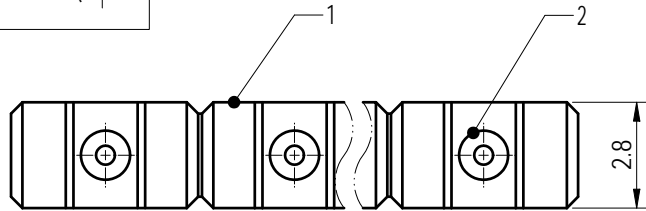
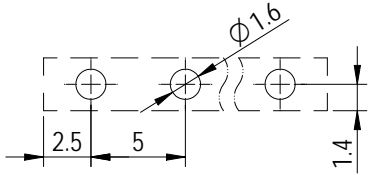


PCB LAYOUT



未注公差/General tolerances (mm)											0.1/10		
0	>3	>6	>10	>18	>30	>50	>80	>120	>180	>250		>315	>400
±0.12	±0.18	±0.22	±0.26	±0.31	±0.37	±0.57	±0.80	±0.93	±1.05	±1.15	±1.60	±2.20	±2.50
UL 标准/UL Standard:											B	C	D
额定电压/电流/Rated Voltage(V)/Current(A)											300/10	/	300/10
IEC 标准/IEC Standard:													
过压类别/Overvoltage Category/污染等级/Pollution Degree											III/3	III/2	II/2
额定电压/电流/Rated Voltage(V)/Current(A)											/	250/12	/
工频耐压/Withstanding voltage(V/1Min)											/	AC2000	/
间距/Pitch(mm)/线数范围/Poles											5.0/N=02~24P		
使用温度范围/Operating temperature(°C)											-40~+130		
符合RoHS环保要求/Conform to RoHS											Yes		

ITEM	NAME OF PART	MATERIAL	NOTES
2	Pin	Copper alloy	Sn Plated
1	Housing	Thermoplastic	UL94V-0

		MATERIAL: /		SURFACE/COLOR: /	
APPD: 兰春华 2023.04.27		MAT NO./REV: - / 01		MAT STATUS: 批量	
CHKD: 陈招 2023.04.27		NAME			
DRFT: 岑凯 2023.04.26		DG332J-THR-5.0-XXP-1Y-00Z (H)			
DRAWING NO. 200118404		TYPE CUSTOMER DRAWING		DRAWING STATUS 已发布	
SCALE 5:1		SHEET 1/1			

REV	ECN	DESCRIPTION	DRFT	DATE
01			岑凯	2023.04.26

Transfer or duplication of this document as well as the utilization or communication of its content are prohibited unless authorized in writing by the copyright owner. All rights reserved for patent. 除专利权明确授权外，否则禁止转让、复制、引用、光碟等文件的传播、使用。未经权利人许可，不得擅自复制或传播。 除专利权明确授权外，否则禁止转让、复制、引用、光碟等文件的传播、使用。未经权利人许可，不得擅自复制或传播。