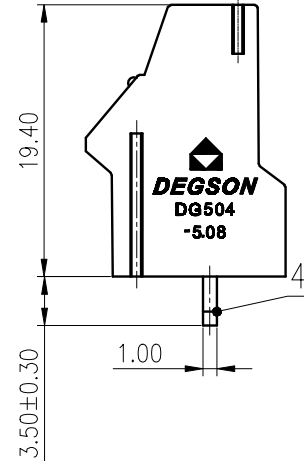
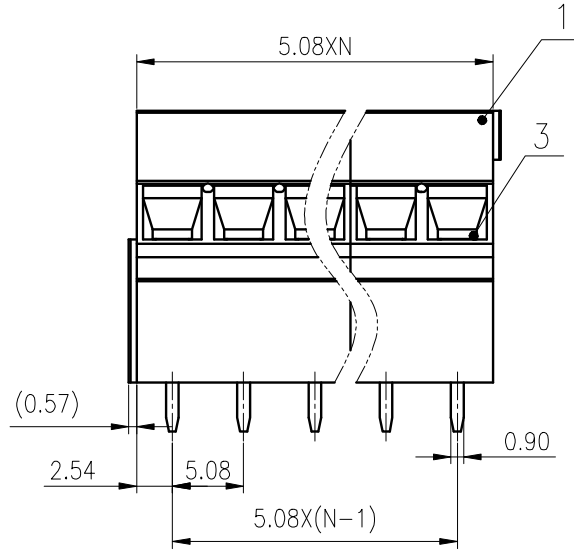
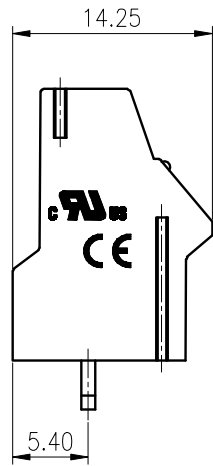
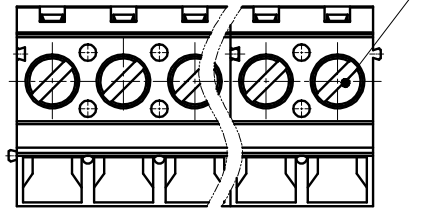


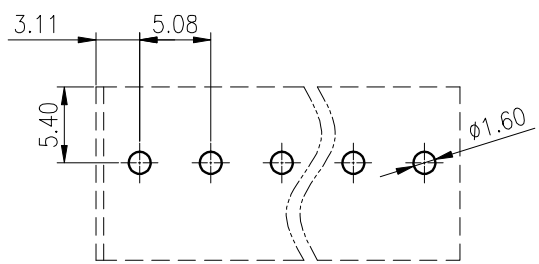
未注公差/General tolerances(mm)												0.1/10 ±2'	
0	>3	>6	>10	>18	>30	>50	>80	>120	>180	>250	>315		>400
~3	~6	~10	~18	~30	~50	~80	~120	~180	~250	~315	~400	~500	~2.50
±0.12	±0.18	±0.22	±0.26	±0.31	±0.37	±0.57	±0.80	±0.93	±1.05	±1.15	±1.60	±2.20	±2.50



4	Pin header	Copper	Sn plated
3	Cage	Copper alloy	M3/Ni plated
2	Screw	Steel	M3/Zn plated
1	Housing	PA66	UL94V-0

ITEM	NAME OF PART	MATERIAL	NOTES
UL 标准/UL Standard:		B	C
额定电压/电流/Rated Voltage(V)/Current(A)		300/20	300/10
IEC 标准/IEC Standard:			
过压类别/Overvoltage Category/污染等级/Pollution Degree		III/3	III/2
额定电压/电流/Rated Voltage(V)/Current(A)		250/20	400/20
额定脉冲电压(kV)/Rate Impulse Voltage(kV)		4	4
螺丝扭矩/Torque Tightening(N·m/Lb.in)		M3, 0.5/4.43	
线径范围(硬线和软线)/Wire Range(rigid and flexible)(mm ² /AWG)		0.2~2.5/30~12	
间距/Pitch(mm)/线数范围/Poles		5.08/N=02~24P	
剥线长度/Stripping length(mm)		10~11	
使用温度范围/Operating temperature(°C)		-40~+105	
符合RoHS环保要求/Conform to RoHS		Yes	

PCB LAYOUT



MATERIAL: /	SURFACE: /		
MAT NO.: /	宁波高松电子有限公司 NINGBO DEGSON ELECTRICAL CO., LTD		
STATUS: /			
APPD: LanChH 2020.05.14	NAME: DG504-5.08-XXP-1Y-00A(H)		
CHKD: YuJZ 2020.05.14	DRAWING NO.: DG504-5.08-C01		
DRFT: GYZ 2015.03.19	REV	T1	
SIZE: A4 TYPE: CUSTOMER DRAWING SCALE: 2:1 SHEET 1/1			

REV	ECN	DESCRIPTION	DRFT	DATE