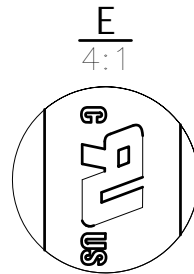
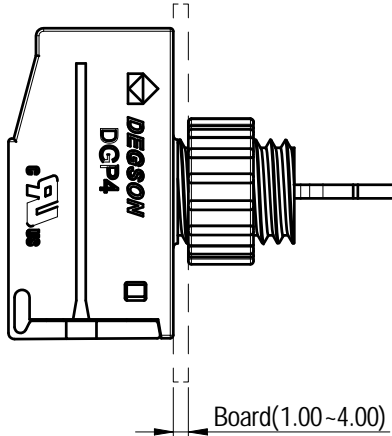
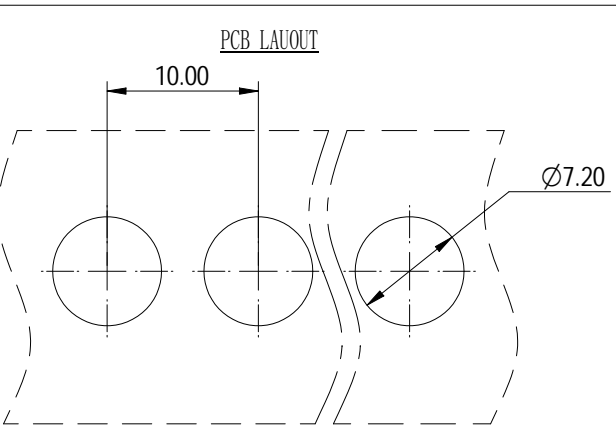
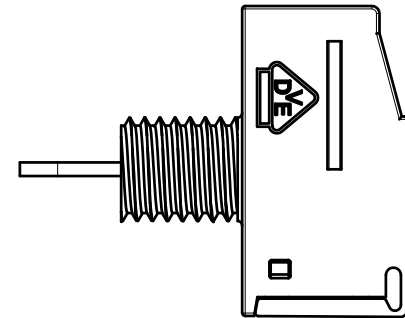
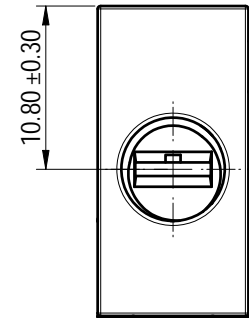
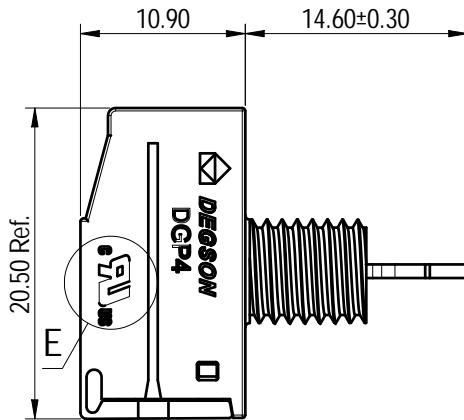
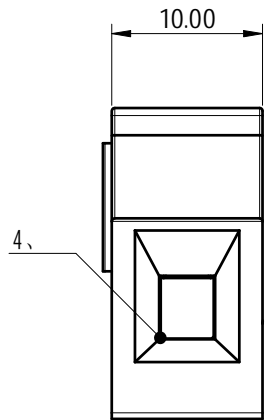
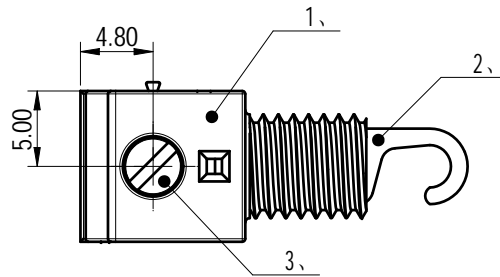
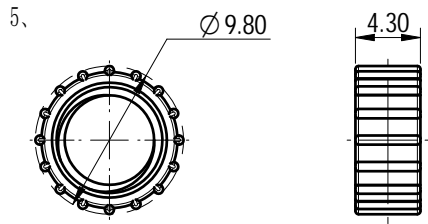


Transfer or duplication of this document as well as the utilization or communication of its contents are prohibited unless authorized in writing. All rights reserved for patent, utility model or design registrations. 除专利、实用新型、外观设计、集成电路布图设计、软件著作权等知识产权外，其他权利均归本公司保留。未经许可，不得复制或传播。



未注公差/General tolerances (mm)														
0	>3	>6	>10	>18	>30	>50	>80	>120	>180	>250	>315	>400	>500	0.1/10
~3	~6	~10	~18	~30	~50	~80	~120	~180	~250	~315	~400	~500	~500	±2'
±0.12	±0.18	±0.22	±0.26	±0.31	±0.37	±0.57	±0.80	±0.93	±1.05	±1.15	±1.60	±2.20	±2.50	

ITEM	NAME OF PART	MATERIAL	NOTES
5	Housing 2	PA66	UL94V-0
4	Cage	Copper alloy	Ni Plated
3	Screw	Steel	Zn Plated
2	Current carrier	Copper	Sn Plated
1	Housing 1	PA66	UL94V-0

UL 标准/UL Standard:	B	C	D
额定电压/电流/Rated Voltage(V)/Current(A)	300/30	150/30	300/10
IEC 标准/IEC Standard:			
过压类别/Overvoltage Category/污染等级/Pollution Degree	III/3	III/2	II/2
额定电压/电流/Rated Voltage(V)/Current(A)	500/32	800/32	800/32
额定脉冲电压(KV)/Rate Impulse Voltage(KV)	4	4	4
螺丝扭矩/Torque Tightening(N·m/Lb.in)	M3, 0.8/7.02		
线径范围(硬线和软线)/Wire Range(rigid and flexible)(AWG/mm²)	28~10 / 0.2~6.0(sol) 28~10 / 0.2~4.0(str)		
间距/Pitch(mm)/线数范围/Poles	10.0/N=01P		
剥线长度/Stripping length(mm)	8~9		
使用温度范围/Operating temperature(°C)	-40~+105		
符合RoHS环保要求/Conform to RoHS	Yes		

DEGSON		MATERIAL:	SURFACE/COLOR:
APPD: 蓝贵凡	2023.05.08	MAT NO./REV: - / 00	MAT STATUS: 批量
CHKD: 曹利彬	2023.05.08	NAME	
DRFT: 姜民洁	2023.05.08	DGP4-01P-1Y-00Z (H)	
④	A4	DRAWING NO. 200124471	TYPE CUSTOMER DRAWING
		DRAWING STATUS 已发布	SCALE 2:1
			SHEET 1/1

REV	ECN	DESCRIPTION	DRFT	DATE
00			姜民洁	2023.05.08