

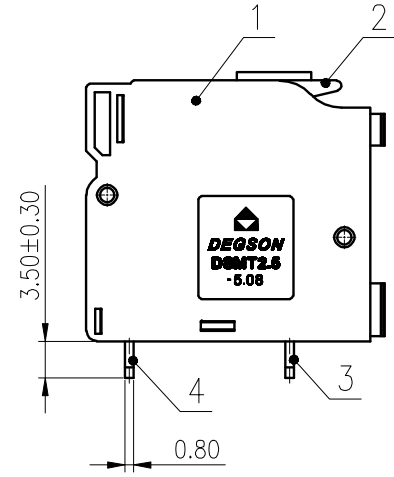
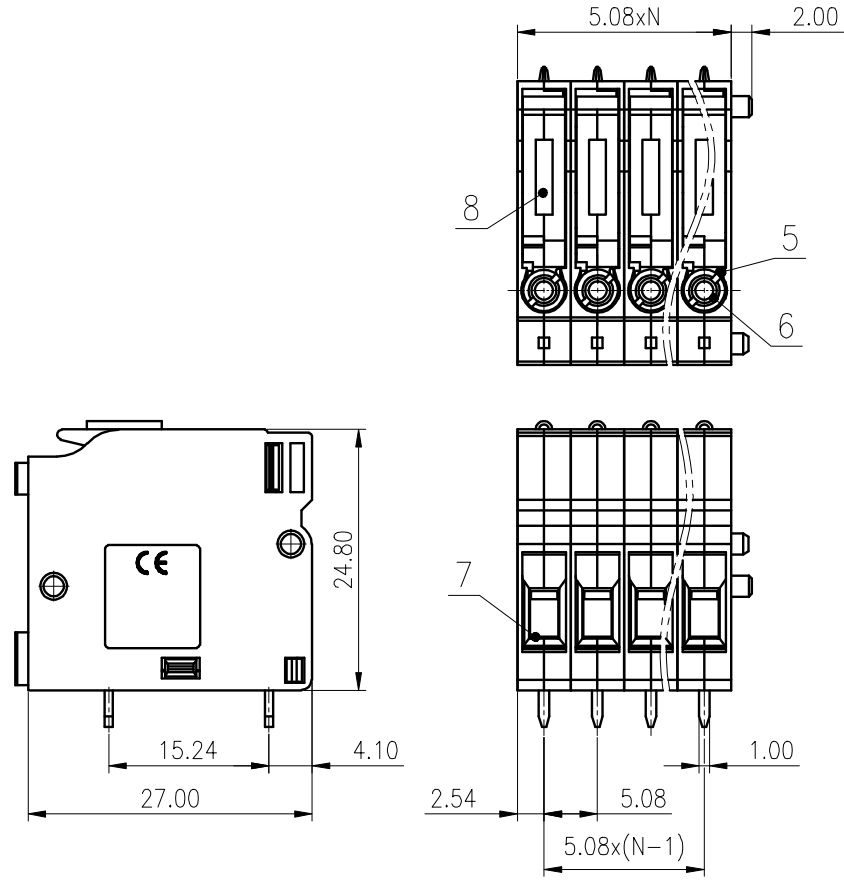
公差/General tolerances(mm)											0.1/10		
0	>3	>6	>10	>18	>30	>50	>80	>120	>180	>250		>315	>400
~3	~6	~10	~18	~30	~50	~80	~120	~180	~250	~315	~400	~500	~2.50
±0.12	±0.18	±0.22	±0.26	±0.31	±0.37	±0.57	±0.80	±0.93	±1.05	±1.15	±1.60	±2.20	±2.50

A

B

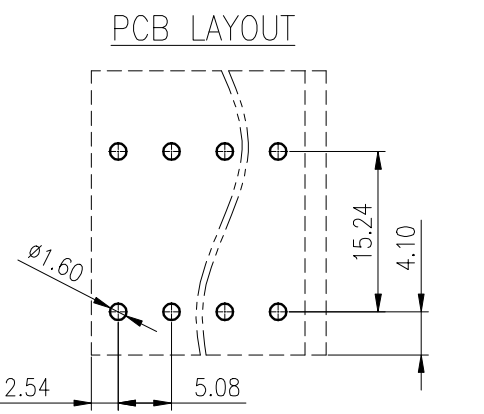
C

D



ITEM	NAME OF PART	MATERIAL	NOTES
8	Current carrier	Copper alloy	Sn Plated
7	Cage	Copper alloy	M3/Ni Plated
6	Screw	Copper alloy	M3/Sn Plated
5	Spring	Copper alloy	Ni Plated
4	Pin Herder 2	Copper alloy	Sn Plated
3	Pin Herder 1	Copper alloy	Sn Plated
2	Housing 2	PA66	UL94V-0
1	Housing 1	PA66	UL94V-0

ITEM	NAME OF PART	MATERIAL	NOTES
UL 标准/UL Standard:			
额定电压/电压/Rated Voltage(V)/Current(A)	300/15	/	300/10
IEC 标准/IEC Standard:			
过压类别/Overvoltage Category/污染等级/Pollution Degree	III/3	III/2	II/2
额定电压/电压/Rated Voltage(V)/Current(A)	320/15	320/15	630/15
额定脉冲电压(kV)/Rate Impulse Voltage(kV)	4.0	4.0	4.0
螺丝扭矩/Torque Tightening(N·m/Lb.in)	M3, 0.5/4.43		
线径范围(硬线和软线)/Wire Range(rigid and flexible)(mm ² /AWG)	0.2~2.5(str) 0.2~4.0(sol)/24~12		
间距/Pitch(mm)/线数范围/Poles	5.08/N=01~32P		
剥线长度/Stripping length(mm)	8~9		
使用温度范围/Operating temperature(°C)	-40~+105		
符合RoHS环保要求/Conform to RoHS	Yes		



MATERIAL: /	SURFACE: /		
MAT NO.: /	宁波高松电子有限公司 NINGBO DEGSON ELECTRICAL CO., LTD		
STATUS: /			
APPD: LanChH 2020.03.25	NAME: DSMT2.5-5.08-XXP-1Y-00A(H)		
CHKD: YuJZh 2020.03.25	DRAWING NO.: 10000758		
DRFT: BaYH 2020.03.25	REV		TO
SIZE: A4 TYPE: CUSTOMER DRAWING SCALE: 1.5:1 SHEET 1/1			

REV	ECN	DESCRIPTION	DRFT	DATE