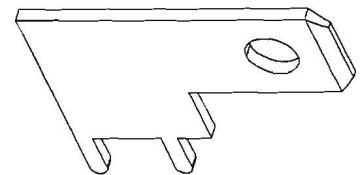
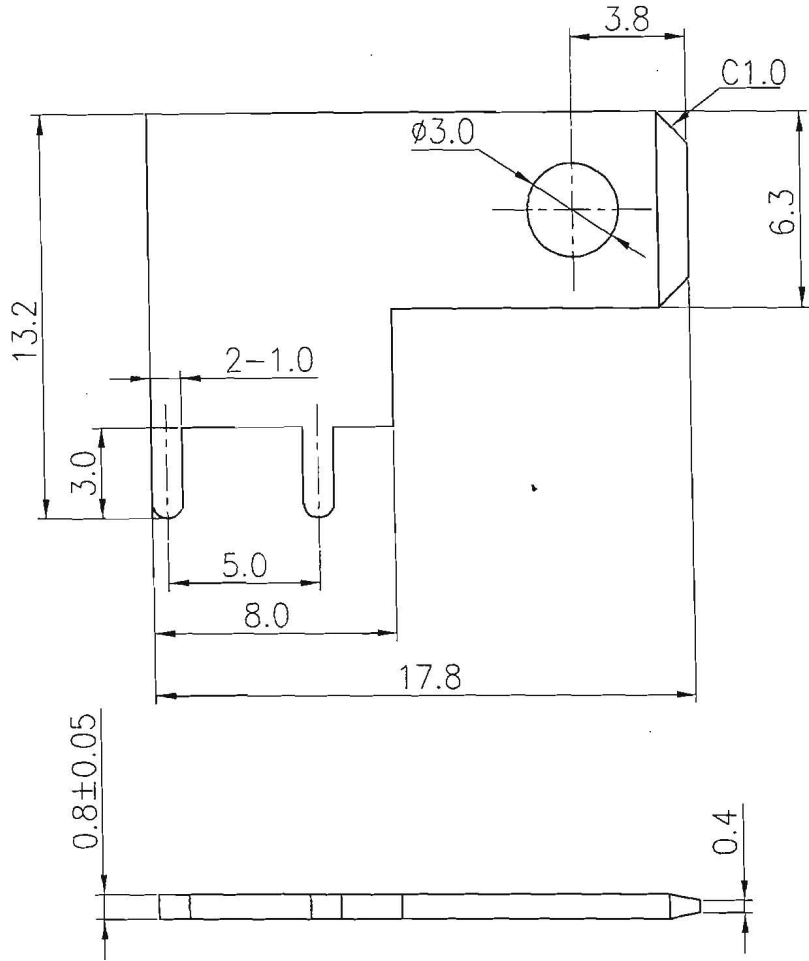


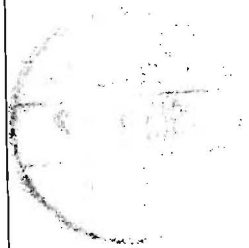
REVISION RECORD				
REV	ECN	DESCRIPTION	DRFT	DATE



Notes:

1. Material: H62 Brass, T=0.8mm;
2. Plating: Cu plated at the bottom is more than 2um; Ni plated on the surface is more than 0.3um; Sn plated at the bottom is more than 4um;
3. Undimensioned Tolerances:

Pitch range in mm		Nominal dimension range in mm				
to	over	to	over	to	over	
6	10	24	30	60	100	150
6	10	24	30	60	100	150
±0.10	±0.15	±0.25	±0.2	±0.3	±0.5	±0.7
						±1.0
						0.005/0



ITEM	NAME OF PART	NO. OF PART	Q'TY	MATERIAL	NOTES
1	K27-00A(H)	C2710(H)		Brass	SnCe

DETACHED LISTS	TOLERANCES EXCEPT AS NOTED	DATE 11/16/05	宁波高正电子有限公司 DEGSON ELECTRONICS CO., LTD
	MM	DATE 07/16/13	
	APPLY		
	MATERIAL		
ANGLES ± 1°	G.E	NAME K27-00A(H)	
THIRD ANGLE PROJECTION	FINISH	DRAWING NO. K27-E01	
	SCALE	/PART NO.	
		DO NOT SCALE DRAWING	
		SHEET 1 OF 1	