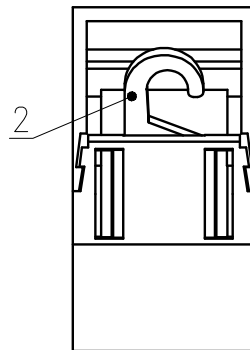
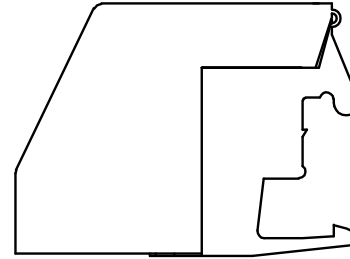
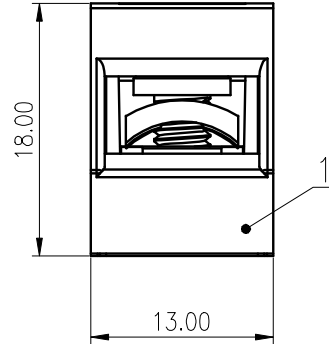
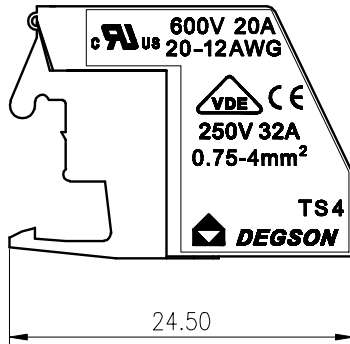
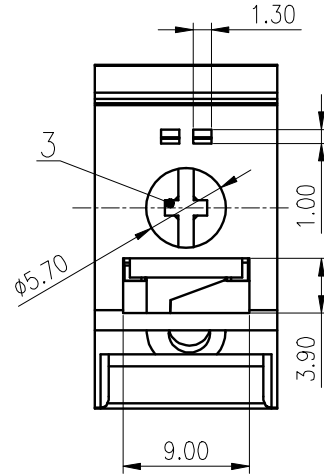


未注公差/General tolerances(mm)											0.1/10 ±2'		
0 ~3	>3 ~6	>6 ~10	>10 ~18	>18 ~30	>30 ~50	>50 ~80	>80 ~120	>120 ~180	>180 ~250	>250 ~315		>315 ~400	>400 ~500
±0.12	±0.18	±0.22	±0.26	±0.31	±0.37	±0.57	±0.80	±0.93	±1.05	±1.15	±1.60	±2.20	±2.50



3	Screw	Steel	M4/Zn Plated
2	Pin header	Copper	Sn Plated
1	Housing	PA66	UL94V-0

ITEM	NAME OF PART	MATERIAL	NOTES
UL 标准/UL Standard:		B	C
额定电压/电流/Rated Voltage(V)/Current(A)		600/20	600/20
IEC 标准/IEC Standard:		600/5	
过压类别/Overvoltage Category/污染等级/Pollution Degree		III/2	
额定电压/电流/Rated Voltage(V)/Current(A)		250/32	
工频耐压/Withstanding voltage		AC2000V/1Min	
螺丝扭矩/Torque Tightening(N·m/Lb.in)		M4, 1.2/10.53	
线径范围(硬线和软线)/Wire Range(rigid and flexible)(mm²/AWG)		0.75~4/20~12	
剥线长度/Stripping length(mm)		8-10	
使用温度范围/Operating temperature(°C)		-40~+105	
符合RoHS环保要求/Conform to RoHS		Yes	
标准颜色编号/Standard color number: RAL		RAL 2000	

MATERIAL: /	SURFACE: /		
MAT NO.: /	<b>宁波高松电子有限公司</b> <b>NINGBO DEGSON ELECTRICAL CO., LTD</b>		
STATUS: /			
APPD:	NAME: TS4-01P-15-01A(H)		
CHKD:			
DRFT: CenMZ 2020.05.18	DRAWING NO.: TS4-C02	REV	T0
SIZE: A4                  TYPE: CUSTOMER DRAWING         SCALE: 2:1         SHEET 1/1			

REV	ECN	DESCRIPTION	DRFT	DATE