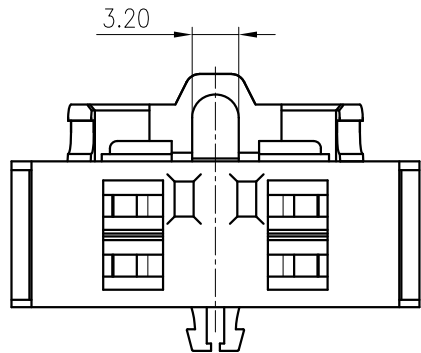
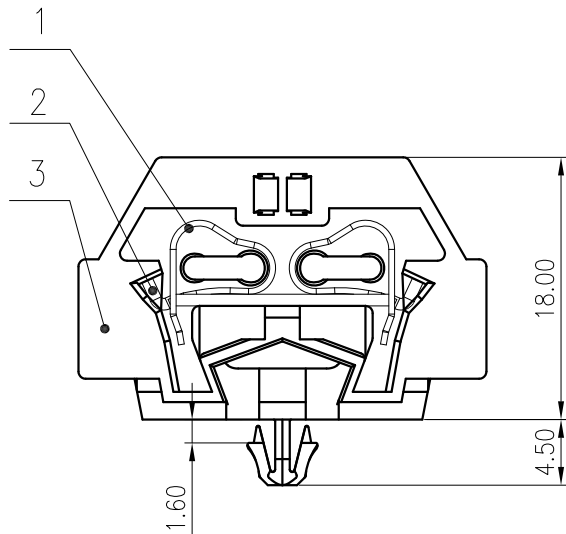


未注公差/General tolerances(mm)											0.1/10 /±2'		
0 ~ 3	>3 ~ 6	>6 ~ 10	>10 ~ 18	>18 ~ 30	>30 ~ 50	>50 ~ 80	>80 ~ 120	>120 ~ 180	>180 ~ 250	>250 ~ 315		>315 ~ 400	>400 ~ 500
±0.12	±0.18	±0.22	±0.26	±0.31	±0.37	±0.57	±0.80	±0.93	±1.05	±1.15	±1.60	±2.20	±2.50

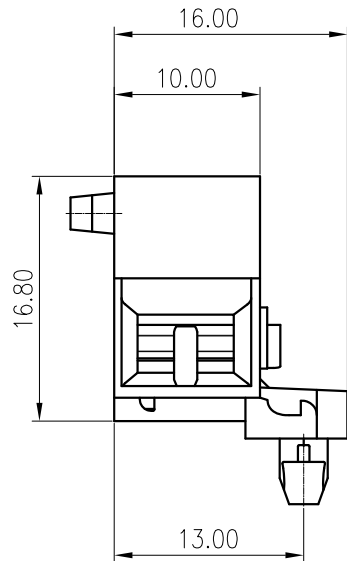
A



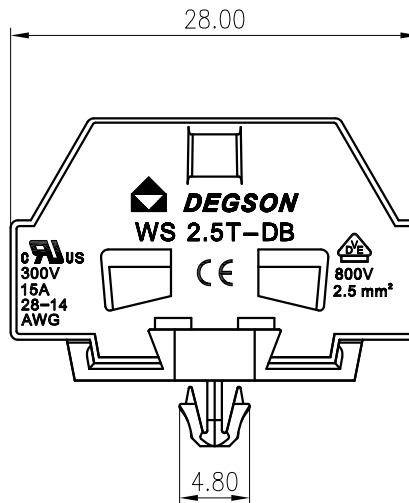
B



C



D



3	Shrapnel	Stainless steel	
2	Current Carrier	Copper	Sn plated
1	Housing	PA66	UL94V-0

ITEM	NAME OF PART	MATERIAL	NOTES
UL 标准/UL Standard:		B	C
额定电压/电流/Rated Voltage(V)/Current(A)		300/15	300/15 300/10
IEC 标准/IEC Standard:			
过压类别/Overvoltage Category/污染等级/Pollution Degree		III/3	/ /
额定电压/电流/Rated Voltage(V)/Current(A)		800/24	/ /
额定脉冲电压(KV)/Rate Impulse Voltage(KV)		8.0	/ /
线径范围(硬线和软线)/Wire Range(rigid and flexible)(mm²/AWG)		0.2~2.5/28~14	
间距/Pitch(mm)		10.0	
剥线长度/Stripping length(mm)		8-9	
使用温度范围/Operating temperature(°C)		-40~+105	
符合RoHS环保要求/Conform to RoHS		Yes	
标准颜色编号/Standard color number: PANTONE / RAL		/	

MATERIAL:	/	SURFACE:	/
MAT NO.:	/	宁波高松电子有限公司 NINGBO DEGSON ELECTRICAL CO., LTD	
STATUS:	/		
APPD:	Li GL 2020.04.04		
CHKD:	Mao J 2020.04.04		
DRFT:	Wang Y2 2020.05.23	NAME: WS2.5T-DB-01P-1Y-11A(H)	
DRAWING NO.:		WS2.5T-DB-C36	REV TO
TYPE:		CUSTOMER DRAWING	SCALE: 2:1 SHEET 1/1

REV	ECN	DESCRIPTION	DRFT	DATE