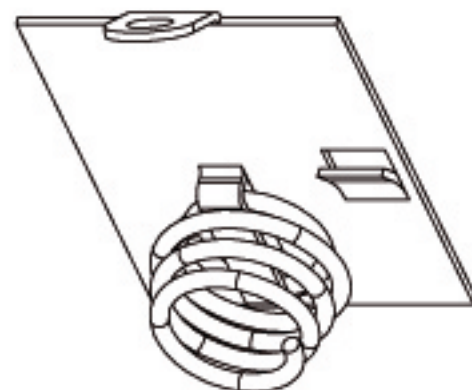
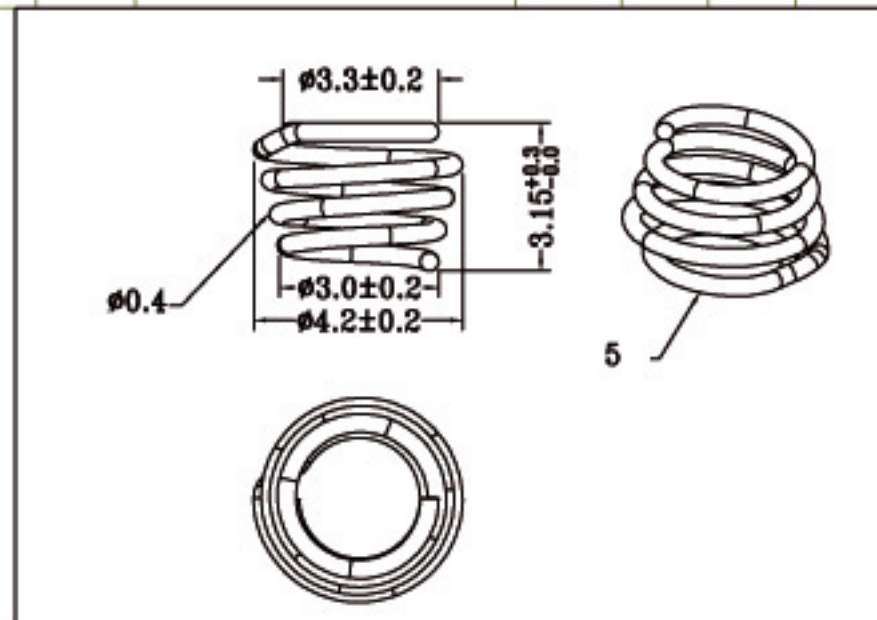
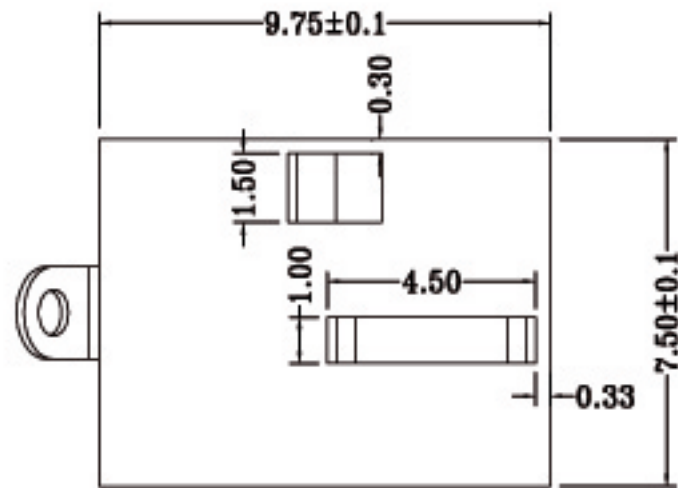
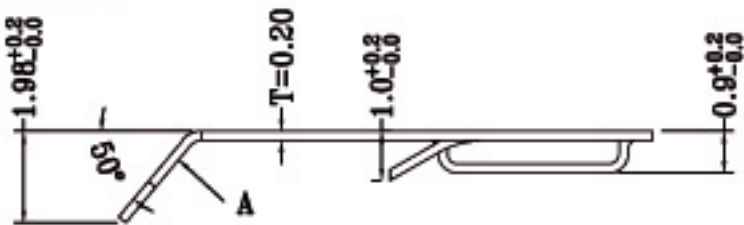


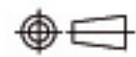
A-A



ROHS



DEVOTECH ELECTRONICS, CO. LTD.



MODEL 5

A0

2015.6.5

X.X=±0.15 X=±3°
 X.XX=±0.08 X.X=±2°
 X.XXX=±0.05 X.XX=±1°