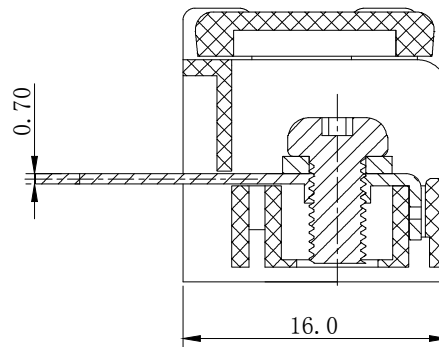
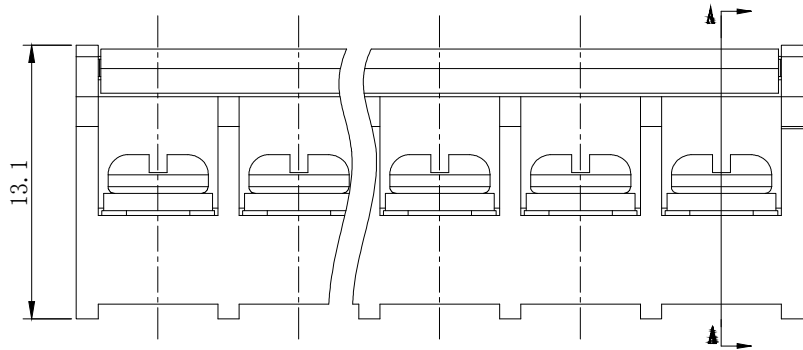


HSF



ROHS

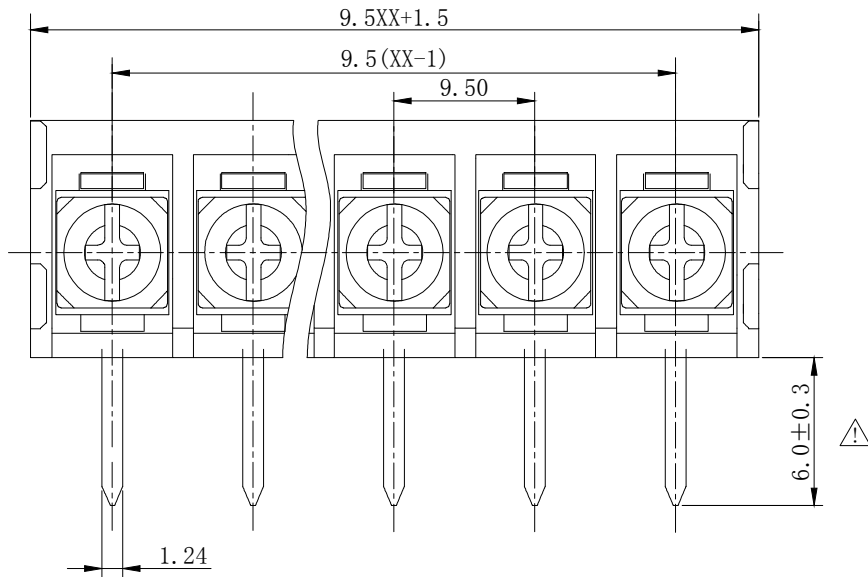


SPECIFICATION

Standard(参考标准): UL IEC
 Voltage Rating(额定电压): 300V 750V
 Current Rating(额定电流): 20A 32A
 Wire range(使用线径): 22-12AWG 4.0mm²
 Withstanding voltage(耐电压): AC2000V/1Min
 Insulation resistance(绝缘电阻): 500MΩ/DC500V
 Temp Rang(温度范围): -40° C ~ +105° C
 Max Torque(最大锁紧力矩): 1.2Nm(10.6lb. in)
 Housing(塑件): PA66, UL94V-0
 Screw(螺丝): Steel, M4.0 Ni plated
 Terminal(端子): Brass.0.8t, Tin plated
 Pitch(间距): 9.5mm
 Poles(极数): 2P-24P

Ordering Code:

SECTION A-A



DVAT846 - 9.5 - XX - X - GA

Pitch: 9.5:9.5mm

Poles:
 02: 2 Contacts
 03: 3 Contacts

 22: 22 Contacts

Insulator color:
 A:Green B:Blue
 C:Black G:Gray
 O:Orange T:Transparent
 R:Red Y:Yellow
 W:White

GA:
 Series number

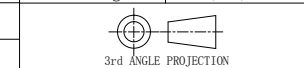
Unless Otherwise specified tolerance
 X. ±0.35 X.XX: ±0.20
 X.X: ±0.25 X.XXX: ±0.15



DEVETECH ELECTRONICS CO. LTD

SCALE: As Shown	UNIT: mm
DRAW Wu Sai	DATE 22/03/2018
CHECK BobYang	DATE 22/03/2018

TITLE:
Barrier Terminal Block Pitch:9.5mm



DRAWING NO: DVAT846-9.5XXX-GA
 PRODUCT NO: DVAT846-9.5XXX-GA

REV	Update DIP=6.0MM	06/24/2021
DESCRIPTION	DATE	