



Shenzhen Topmay Electronic Co., Ltd

深圳市亿普电子有限公司

Rm 3306, International Science and Technology Bldg, Central ShenNan Rd3007, FuTian,Shenzhen City, CN.

Manager_assistant@topmay.com, TEL: 0755-33341571/2, 33340231, 83279523; FAX: 0755-33341573

5000h Snap-in Type Aluminum Electrolytic Capacitor Data Sheet

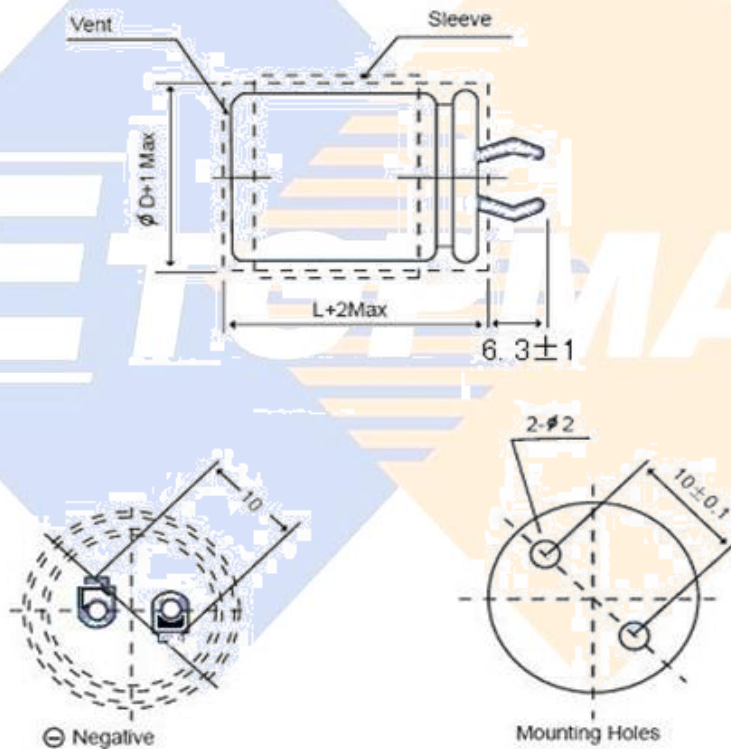
1. Product name:

Long life Snap-in type Aluminum electrolytic capacitor

2. Products Configuration and Installation:

Cylindrical form, metal case, unidirectional leads, derivative fashion is snap-in, using insulated sleeve, polarity, press release device (It is from a point. When the capacitor's internal pressure was increased or product was broken, inflammable materials will not fly down),It can be directly inserted into the welding.

DIMENSIONS (mm)





Shenzhen Topmay Electronic Co., Ltd

深圳市亿普电子有限公司

Rm 3306, International Science and Technology Bldg, Central ShenNan Rd3007, FuTian,Shenzhen City, CN.

Manager_assistant@topmay.com, TEL: 0755-33341571/2, 33340231, 83279523; FAX: 0755-33341573

3.Electrical Specification:

Item	Characteristics	
Operating Temperature Rang (°C)	-25~+105	
Capacitance Tolerance (20°C、120HZ)	-20~+20%	
Leakage Current(μA)	0.01cv or 1.5mA, whichever is smaller. (at 20°C,after 5 minutes) C:Nominal Capacitance(μF),rated Voltage(V)	
Dissipation Factor (20°C、120HZ)	(0.2) Less than the value specified in the standard Products Tables (0.2)	
Load Life(+105°C)	Time	5000h
	Leakage current	Not more than the specified value
	Capacitance change	Within-10~+30%of the initial value
	Dissipation factor	Not more than200% of specified value
Shelf Life(+105°C)	Time	1000h
	Leakage current	Not more than the specified value
	Capacitance change	Within-10~+30%of the initial value the initial value
	Dissipation factor	Not more than150%of specified value
	After test :urto be applied for 30minutes,24 to 48hours before measurement	



Shenzhen Topmay Electronic Co., Ltd

深圳市亿普电子有限公司

Rm 3306, International Science and Technology Bldg, Central ShenNan Rd3007, FuTian, Shenzhen City, CN.

Manager_assistant@topmay.com, TEL: 0755-33341571/2, 33340231, 83279523; FAX: 0755-33341573

Item	Characteristics	
Temperature Characteristic	Z-25/Z+20	4
	Test Frequency	120Hz
Surge Voltage	Cycle index: 1000	after test:
	Tem.: +35°C	Appearance: no visible damage, leakage
	duration of charge: 30S	Leakage Current: ≤2 times of standard values
	Discharge duration time: 5min30s	Capacitance change: ≤20 % (compared with initial value)
	charge resistance: 1000Ω	1.2times of standard values
Pressure relief	Reverse voltage method: Apply a direct current voltage to both ends of the capacitor, and control the current at 5~10A until the explosion-proof valve is released.	The explosion-proof valve is opened and the internal gas is released. There should be no loud popping and fire.

Rated Voltage V.DC	Surge Voltage V.DC	Cap(μF)	Leakage Current (μA)	Tanδ(%)	Ripple Current (Arms)	ΦD*L
400	450	470	1880	2	2.14	25*55

Leakage Current: 20°C, 5 minutes test

Tan: 20°C, 120Hz

Ripple Current: 105°C, 120Hz

ESR : 20°C, 120Hz