

FXA SERIES

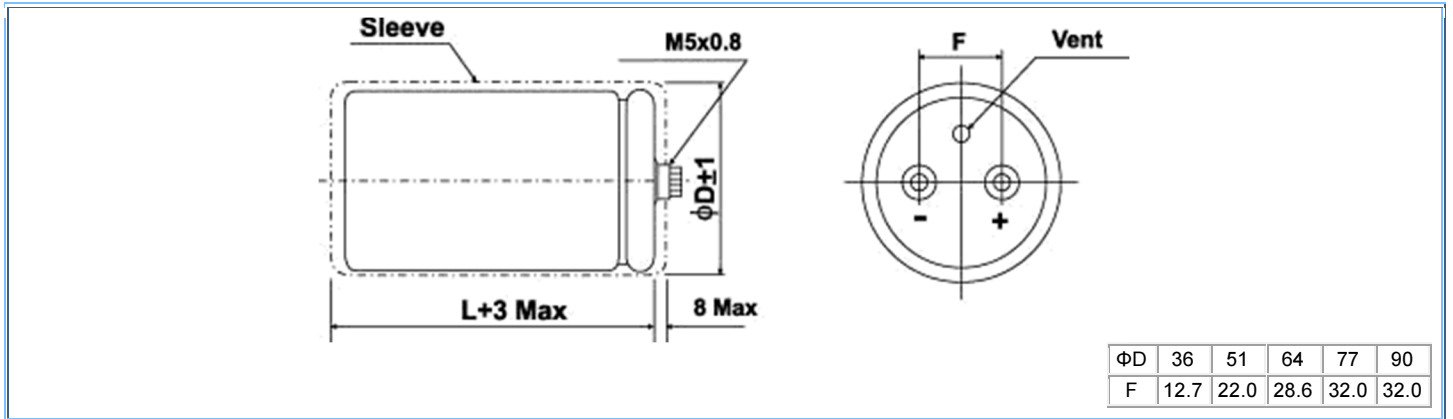
- **Warranty of 5000 hours at 85°C**



▪ SPECIFICATIONS

Item	specifications	
Rated Voltage Range(V)	200~450	
Operating Temperature Range(°C)	-40~+85	
Capacitance Tolerance(20°C, 120Hz)	±20%	
Leakage current(µA)	0.01CV or 5mA, whichever is smaller.(at 20°C, after 5 minutes) Where C:Nominal Capacitance(µF) V:Rated Voltage(V)	
Dissipation Factor	0.15(20°C, 120Hz)	
Load Life(85°C)	Time	5000 hours
	Leakage current	Less than the specified value.
	Capacitance Change	Less than ±15% of the initial value.
	Dissipation Factor	Not more than 175% of the specified value.
Shelf Life(85°C)	Time	500 hours
	Leakage current	Less than the specified value.
	Capacitance Change	Less than ±15% of the initial value.
	Dissipation Factor	Not more than 175% of the specified value.
After test:U _R to be applied for 30 minutes, 12-24 hours before measurement.		

- DIMENSIONS** mm



- MULTIPLIER FOR RIPPLE CURRENT**

Frequency coefficient

Freq(Hz)	50/60	120	300	1K	>10K
Factor	0.7	1.0	1.1	1.3	1.4

Temperature coefficient

Temperature(°C)	40	60	85
Factor	1.89	1.67	1.00

▪ **STANDARD RATINGS**

Rated Voltage (V.DC)	Surge Voltage (V.DC)	Rated Capacitance (uF)	Parts Number	Leakage Current Max(mA)	Dissipation Factor Max	Max Ripple Current 85°C120Hz(Arms)	Outline Size	
							Code	ΦDXL(mm)
400	450	1000	FXA 2G102	4.00	0.15	5.0	C8R	51X75
		1200	FXA 2G122	4.80	0.15	5.5	C8R	51X75
		1500	FXA 2G152	5.00	0.15	6.7	C10R	51X96
		1800	FXA 2G182	5.00	0.15	7.4	C10R	51X96
		2200	FXA 2G222	5.00	0.15	9.2	C13R	51X130
		2700	FXA 2G272	5.00	0.15	9.9	D10R	64X96
		3300	FXA 2G332	5.00	0.15	11.8	D12R	64X115
		3900	FXA 2G392	5.00	0.15	13.5	D13R	64X130
		4700	FXA 2G472	5.00	0.15	15.9	D16R	64X155
			FXA 2G472	5.00	0.15	14.9	E13R	77X115
		5600	FXA 2G562	5.00	0.15	19.1	D20R	64X195
			FXA 2G562	5.00	0.15	17.0	E13R	77X115
		6800	FXA 2G682	5.00	0.15	20.2	E16R	77X155
		8200	FXA 2G682	5.00	0.15	23.5	F16R	90X157
		10000	FXA 2G103	5.00	0.15	25.9	F16R	90X157
12000	FXA 2G123	5.00	0.15	31.0	F20R	90X196		
15000	FXA 2G153	5.00	0.15	37.5	F24R	90X236		
450	500	1000	FXA 2W102	4.50	0.15	5.0	C8R	51X75
		1200	FXA 2W122	5.00	0.15	6.0	C10R	51X96
		1500	FXA 2W152	5.00	0.15	7.2	C12R	51X115
		1800	FXA 2W182	5.00	0.15	8.3	C13R	51X130
		2200	FXA 2W222	5.00	0.15	9.0	D10R	64X96
		2700	FXA 2W272	5.00	0.15	10.7	D12R	64X115
		3300	FXA 2W332	5.00	0.15	12.4	D13R	64X130
		3900	FXA 2W392	5.00	0.15	14.5	D16R	64X155
			FXA 2W392	5.00	0.15	13.6	E12R	77X115
		4700	FXA 2W472	5.00	0.15	17.5	D20R	64X195
			FXA 2W472	5.00	0.15	15.6	E13R	77X130
		5600	FXA 2W562	5.00	0.15	18.3	E16R	77X155
		6800	FXA 2W682	5.00	0.15	21.4	F16R	90X157
		8200	FXA 2W682	5.00	0.15	23.5	F16R	90X157
		10000	FXA 2W103	5.00	0.15	28.3	F20R	90X196
12000	FXA 2W123	5.00	0.15	33.6	F24R	90X236		