



# DEVETECH ELECTRONICS CO. LTD

## SPECIFICATION FOR APPROVAL

### 规格说明书

CUSTOMER'S CODE

本厂代码: FLQM19-FJ-C

DESCRIPTION

品名: 金属按钮

SPECIFICATION

规格: 19mm

DATE

编制日期:

PART NO.

本厂型号: FLQM19-FJ-C-XX000

REFERENCE No.

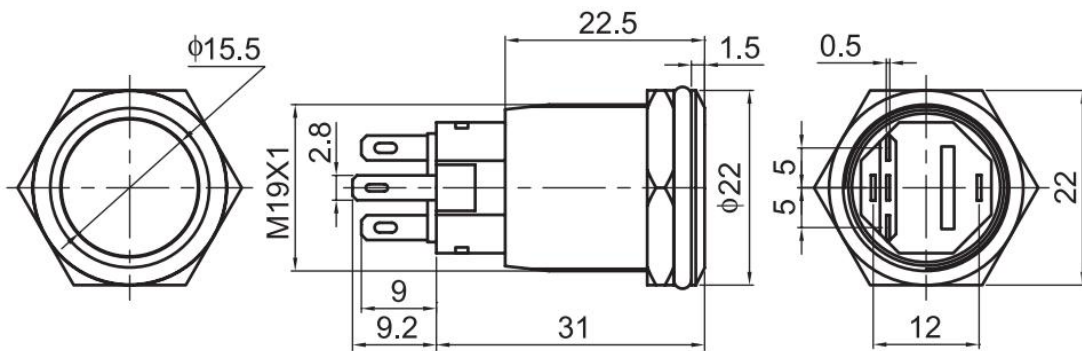
档案编号:

Approved By Customer 编制	Qualified By 审核	Form Designer 批准

1. 图片 Picture:



2. 图纸 drawing



### 3 配件材料 Component Material

配件名 Component Name	材料 Material
按键 Button	PC 塑料 Polycarbonate
底座 Base	PA66+GF20%阻燃尼龙 PA66+GF20% nylon
按钮引脚 Pins	黄铜镀银
外壳套筒 Housing	H59 黄铜/304 不锈钢 H59 nickel plated brass/304Stainless steel
螺帽 Nut	H59 黄铜 H59 nickel plated brass

### 4 性能参数 Performance Parameter

项目 Items	参数 Parameter
开关额定电压 Rated Voltage	250VAC
开关额定电流 Rated Current	5A
工作环境 Working Environment	-25°C~+80°C
防护等级(头部) IP Degree	IK9 IP67
额定功率 Rated Power	180W(DC) 1250W(AC)
绝缘耐压 Insulation and voltage	1800VACmin
接触电阻: Contact Resistanc:	≤50mΩ
绝缘电阻: Isolation Resistance:	≥1000mΩ
机械寿命 Mechanical life	500,000 times
电气寿命 Electrical Life	100,000 times (250V/3A) 50,000 tims (250V/5A)