

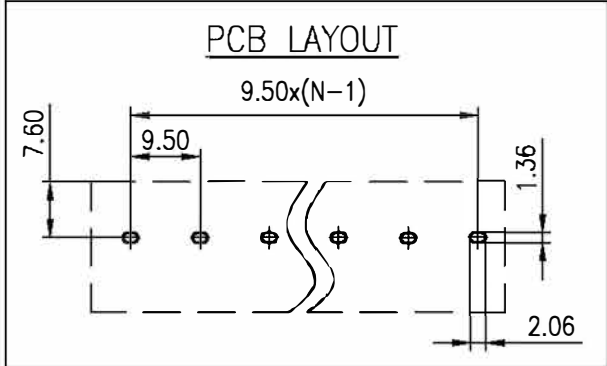
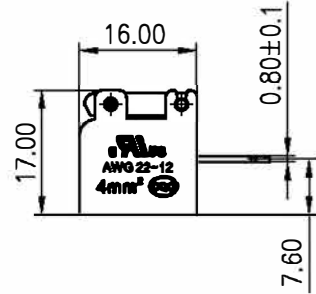
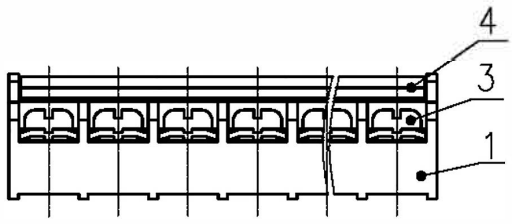
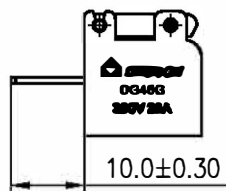
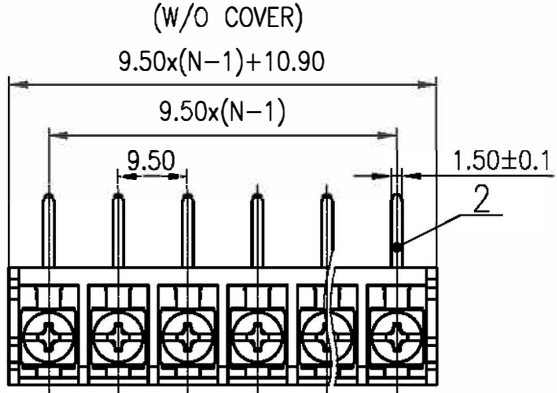
| 公差/General tolerances(mm) | | | | | | | | | | | | 0.1/10 | |
|---------------------------|-------|-------|-------|-------|-------|-------|-------|-------|-------|-------|-------|--------|-------|
| 0 | >3 | >6 | >10 | >18 | >30 | >50 | >80 | >120 | >180 | >250 | >315 | | >400 |
| ±0.12 | ±0.18 | ±0.22 | ±0.26 | ±0.31 | ±0.37 | ±0.57 | ±0.80 | ±0.93 | ±1.05 | ±1.15 | ±1.60 | ±2.20 | ±2.50 |

A

B

C

D



| ITEM | NAME OF PART | MATERIAL | NOTES |
|------------------------------------------------------------------|--------------|---------------|--------------|
| 4 | Cover | PC | UL94V-2 |
| 3 | Screw | Steel | M4/Ni Plated |
| 2 | Pin Header | Copper Alloy | Sn Plated |
| 1 | Housing | PA66 | UL94V-0 |
| UL 标准/UL Standard: | | B | C |
| 额定电压/电流/Rated Voltage(V)/Current(A) | | 300/20 | 150/20 |
| IEC 标准/IEC Standard: | | D | |
| 过压类别/Overvoltage Category/污染等级/Pollution Degree | | III/3 | III/2 |
| 额定电压/电流/Rated Voltage(V)/Current(A) | | 300/32 | 300/32 |
| 额定脉冲电压(kV)/Rate Impulse Voltage(KV) | | 4 | 4 |
| 螺丝扭矩/Torque Tightening(N·m/Lb.in) | | M4, 1.2/10.53 | |
| 线径范围(硬线和软线)/Wire Range(rigid and flexible)(mm ² /AWG) | | 0.5~4/22~12 | |
| 间距/Pitch(mm)/线数范围/Poles | | 9.5/N=02~12P | |
| 使用温度范围/Operating temperature(°C) | | -40~+105 | |
| 符合RoHS环保要求/Conform to RoHS | | Yes | |

| | | | | | | | | | |
|------------------------|---------------------------------------|-------------|------|------|----------|------------------------|------------|-------|----|
| MATERIAL: / | SURFACE: / | | | | | | | | |
| MAT NO.: / | DEVETECH ELECTRONICS CO. LTD | | | | | | | | |
| STATUS: / | | | | | | | | | |
| APPD: / | NAME: DVDG46GR-B-XXP-1Y-00A(H) | | | | | | | | |
| CHKD: / | DRFT: XieXD 2020.05.28 | | | | | | | | |
| DRFT: XieXD 2020.05.28 | DRAWING NO.: DG46GR-C02 | | | | | | | | |
| REV | ECN | DESCRIPTION | DRFT | DATE | SIZE: A4 | TYPE: CUSTOMER DRAWING | SCALE: 1:1 | SHEET | TO |

| REV | ECN | DESCRIPTION | DRFT | DATE |
|-----|-----|-------------|------|------|
| | | | | |