



DEVETECH ELECTRONICS CO. LTD

SPECIFICATION FOR APPROVAL

规格说明书

CUSTOMER'S CODE

本厂代码:

DESCRIPTION

品名: Flat Head Ring Led With Solder Pins Momentary

SPECIFICATION

规格: 19mm

DATE

编制日期:

PART NO.

本厂型号: DVFLM19-FJ-4

REFERENCE No.

档案编号:

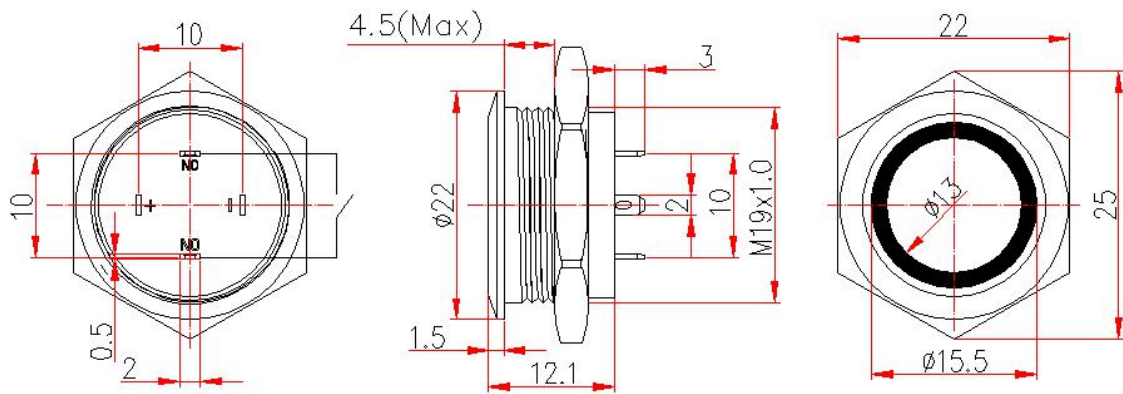
Approved By Customer	Qualified By	Form Designer
编制	审核	批准
陶松	陈永强	叶建华

T

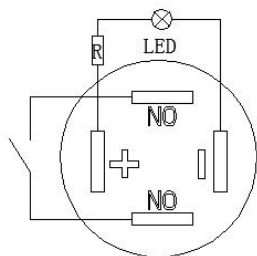
1. 图片 Picture:



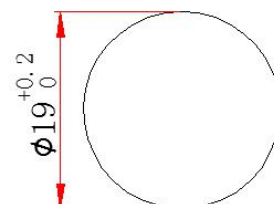
2. 图纸 Drawing



电气简图



安装孔图





3 配件材料 component material

配件名 Component Name	材料 Material
导光按键 Light Guide Button	PC 塑料 PC plastic
按键 Button	304 不锈钢 304Stainless steel
外壳套筒 Body Housing	H59黄铜/304不锈钢 H59 nickel plated brass/304Stainless steel
按钮引脚 Pins	H62 铜合金 H62 Nickel Brass
防水圈 Rubber Ring	SIL 硅胶 SIL silica gel
螺帽 Nut	H59 黄铜 H59 nickel plated brass
底座 Base	PA66+GF20%阻燃尼龙 PA66+GF20% nylon
光源 Light Source	LED
电阻 Resistance	金属膜电阻 Metal Film
触点 Contact	银合金 Sliver Contact

4 性能参数 performance parameter

项目 items	参数 parameter
开关额定电压 Rated Voltage	12V DC
开关额定电流 Rated Current	0.1A DC
指示灯额定电压 Led Rated Voltage	3V-36V
指示灯额定电流 Led Rated Current	≤20mA
额定功率 Rated Power	1.2W(DC)
绝缘耐压 Insulation and voltage resistance	250V
接触电阻: Contact Resistance	≤50mΩ
绝缘电阻: Isolation Resistance	≥100MΩ
机械寿命 Mechanical Life	50 万次 500,000 times
电气寿命 Electrical Life	10 万次 100,000 times
工作环境温度 Operating Temperature	-25°C~+85°C
防护等级(头部) IP Degree	IP67 IK08
指示灯颜色 Led Color	红蓝绿黄白色 R/B/G/Y/W
Actuator Travel in MM	0.5mm
Actuator Efforts	5N