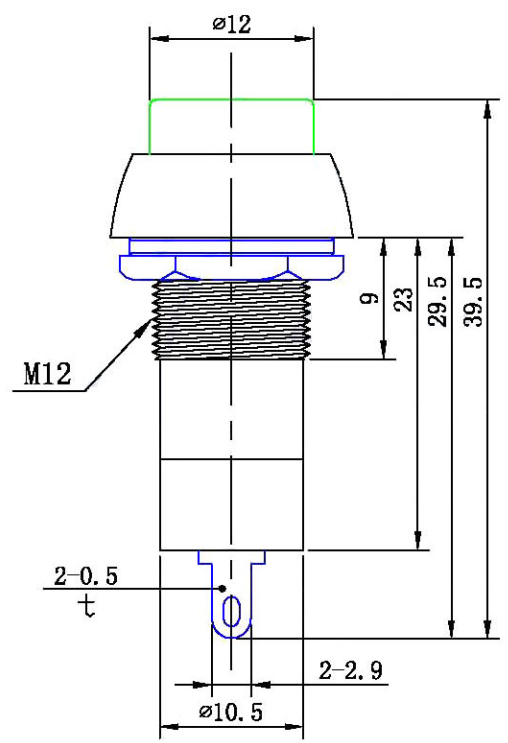
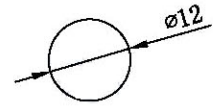


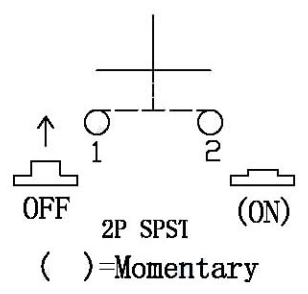
H
G
F
E
D
C
B
A



PANEL CUT-OUT



Circuit



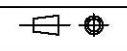
The Main Technology Performance

Item	Parameter
Rated voltage	3A 250VAC
Rated current	3A 250VAC
Insulated resistance	DC 500V 100M Ω min
Contact resistance	50m Ω Max
Dielectric strength	AC 1500V 1 minute
Operating Temperature	-25 $^{\circ}$ C ~ +85 $^{\circ}$ C
Electrical Life	≥ 10000 Cycles

NAME	Q'TY	MATERIAL	FINISHING
Spring	1	Spring steel wire	
Contact	1	Brass Plated silver	
terminal	2	Brass Plated silver	
Bottom	1	PA66	
housing	1	ABS	
Button	1	ABS	

X: ± 0.5 K: ± 0.30 .XX: ± 0.15 $\leq \pm 2^{\circ}$ (mm)

DVPBS-11B



Push Button Switch			
2.5:1	2014.1.11	2014.1.11	2014.1.11



DEVETECH ELECTRONICS, CO.LTD.

1 2 3 4 5 6 7 8 9 10