



DEVETECH ELECTRONICS CO. LTD

**HORN SPEAKER
CUSTOMER: DACHS ELECTRONICA
P/N: DSK-86X86R8F14**

DESIGNED BY	
CHECKED BY	
APPROVED BY	

Address: 11/F.,F.Block, Hang Lok Building, 130Wing Lok St., Hong Kong.

Address: A3L1, Youpinyishu, Huanmei Rd., Dameisha, Yantian district, Shenzhen, China

Tel: (86) 13632770721 Email: sales@devetechelectronics.com Website: www.devetechelectronics.com



CONTENTS		
N°	Contents	Page
-	Cover	1
-	Contents	2
-	Document Revision History	3
1	Scope	4
2	General characteristics	4
3	Electrical and acoustic characteristics	4
4	Reliability test	5
5	Measurement block diagram & response curve	6
6	Dimensions	7
7	Packing	8



Document revision history				
Rev. N°	Date	Subject and reason	Page	Responser
1	2015/6/25	Preliminary		



1. Scope

This specification is applied to the siren used for sounder in alarm systems. Please contact us when using this product for any other applications than described above.

2. General characteristics

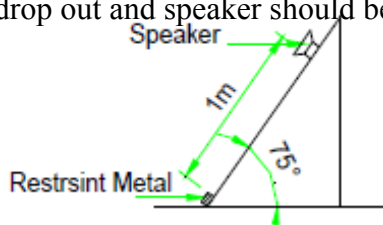
Out-diameter	86x86
Height	45mm
Weight	360±20g
Operating temperature range	-20~+60°C without loss of function
Store temperature range	-30~+70°C without loss of function

3. Electrical and acoustic characteristics

No.	Items	Specification
1	Impedance	8Ω±20% at 2kHz
2	Min sound pressure level	96 dB at 1M/1W at 1.2K-3kHz AVG, B&K
3	Resonance frequency	1.4 kHz±20%
4	Frequency range	1000-4000Hz
5	Input power	Rated 15W / Max.20W
6	Magnet size	Φ60x32x10 mm (diaxdiaxH)
7	Case material	ABS
8	color	Black
9	Buzz and rattle	Should not be audible buzzes, rattles when the 10.95V sine wave signal swept at frequency range.
10	Voice coil dimension	Φ25.4mm (dia.)

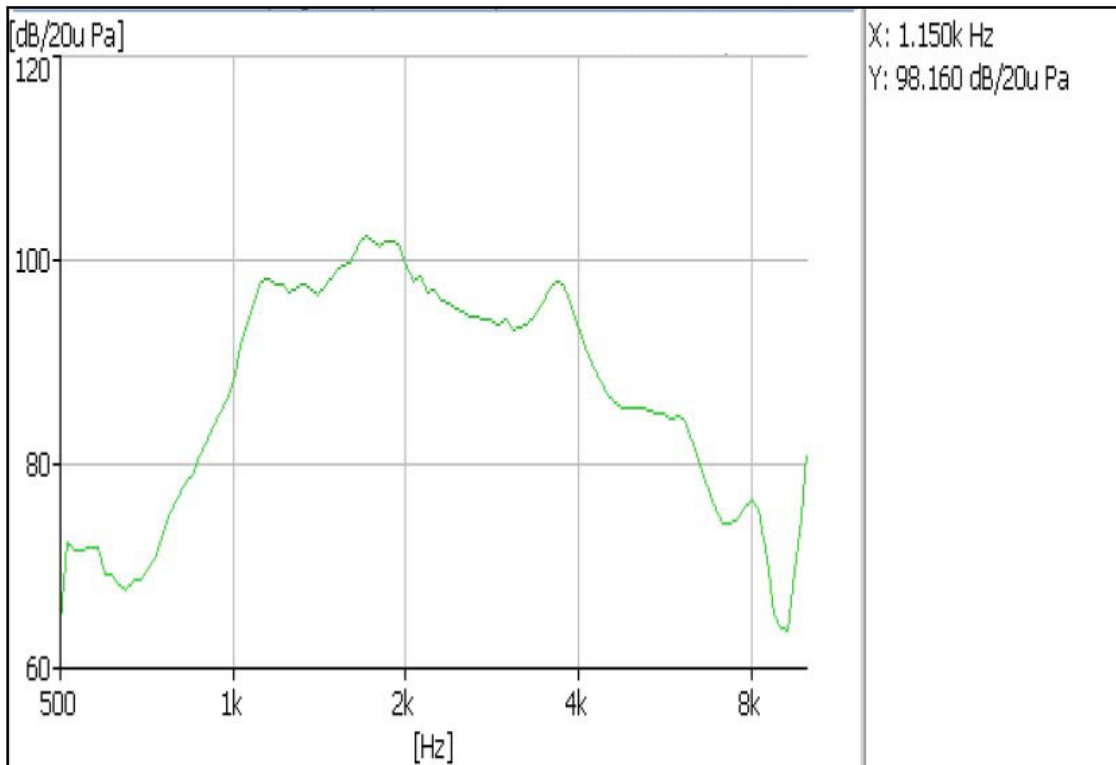
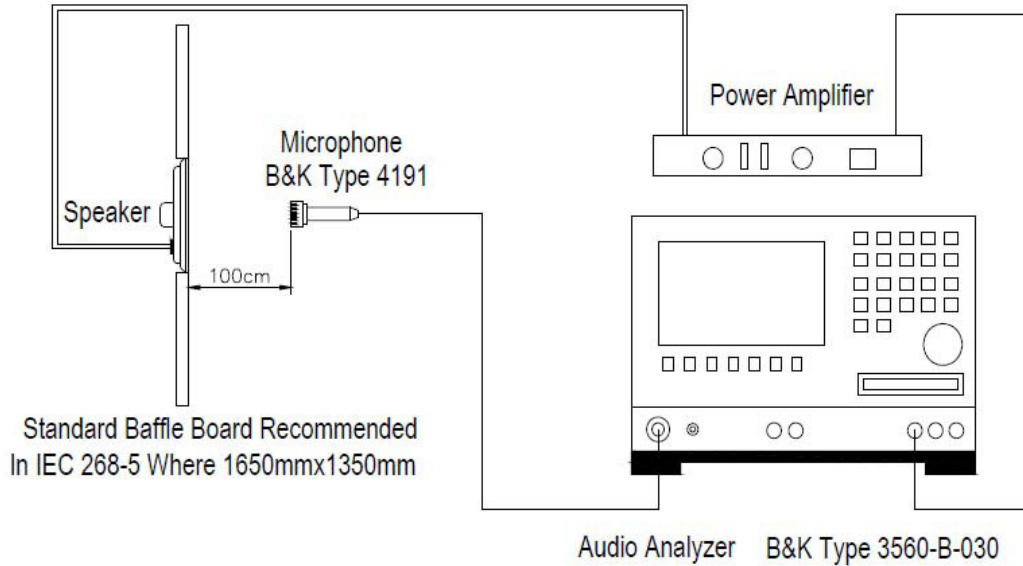
4. Reliability test

After test (1~6item), the Electronic Siren S.P.L. difference shall be within $\pm 10\text{dB}$, and the appearance not exist any change to be harmful to normal operation (e.g. cracks, rusts, damages and especially distortion).

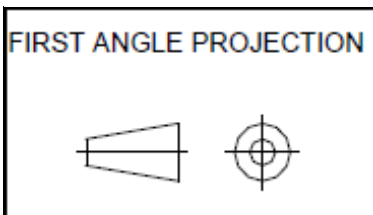
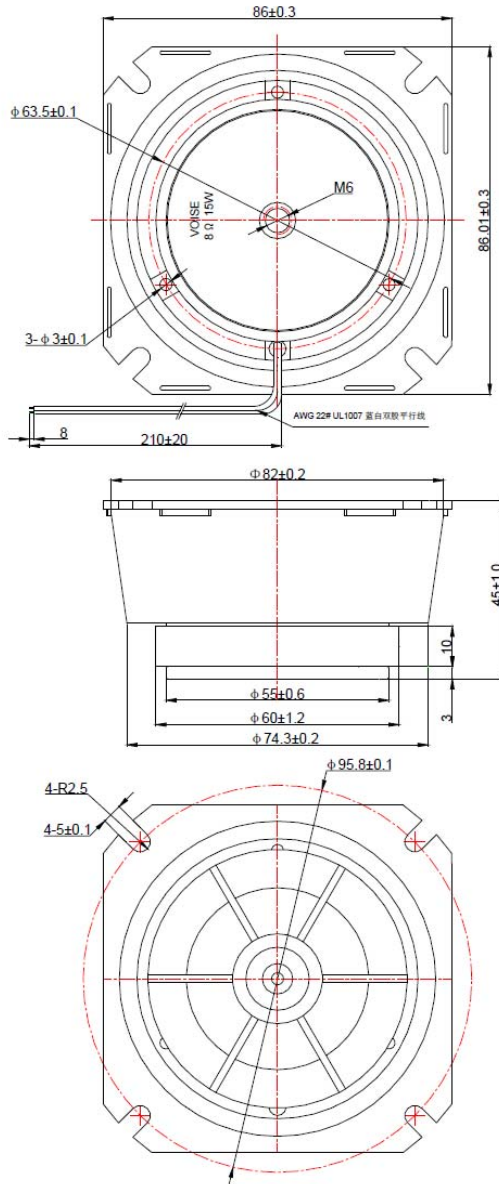
No.	Item	Specification
1	High temperature test	After being worked in a chamber with $+60\pm 2^\circ\text{C}$ for 2h and then being placed in natural condition for 2h, sounder shall be measured.
2	Low temperature test	First being worked in a chamber with $-20\pm 2^\circ\text{C}$ for 2h and then being placed in a chamber with $-20\pm 2^\circ\text{C}$ for 16h, finally being placed in natural condition for 2h, sounder shall be measured.
3	Humidity test	After being placed in a chamber with 90 to 95%RH at $+40\pm 2^\circ\text{C}$ for 2h and then being placed in natural condition for 2h, sounder shall be measured.
4	Shock test	Under acceleration of peak 100m/s^2 (10g)& half sine wave pulse (pulse time is 16ms) condition, run into product 1000 times continuously.
5	Vibration test	Horn shall be measured after being applied vibration of amplitude of 1.5mm with 10 to 30Hz band of vibration frequency to each of 3 perpendicular directions for 2 hour.
6	Drop test	<p>A speaker is dropped from 1m in length on 75° inclination and a magnetic circuit of speaker is hit to the restraint metal.</p> <p>After the test, magnetic circuit should not drop out and speaker should be measured.</p> 
7	Load test	After being applied loading white noise with input power 15W (10.95Vrms.) for 48 hours, then placed in natural condition for 1 hour, speaker shall be measured.

5. Measurement block diagram & response curve

Standard test condition of speaker



6. Dimensions



UNIT: mm
Tolerance: ± 1.5



DEVETECH ELECTRONICS CO. LTD

7. Packing

Each minimum package unit of products shall be in a carton box and it shall be marked with Part Number, quantity. There shall be no mechanical damage on during transportation and/or in storage.

Total: 24 pcs per box

Size: 38x36x12.5cm



DEVETECH ELECTRONICS CO. LTD

NOTES
