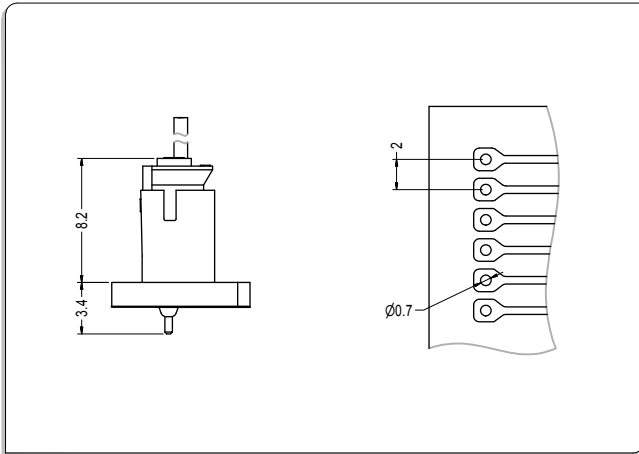


Specifications

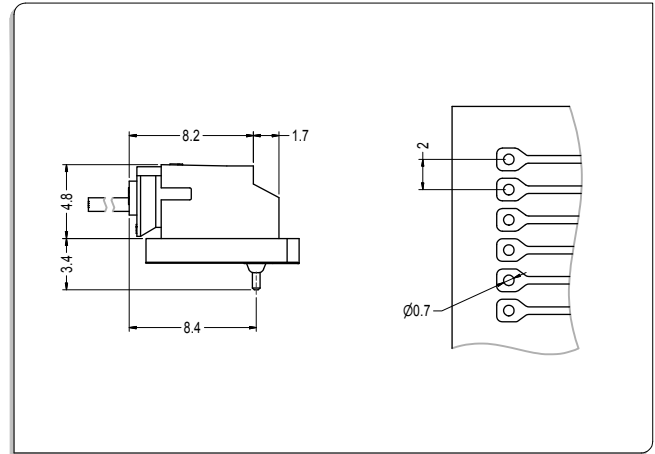
- 1、 Poles: 2 to 20P
- 2、 Current rating: 2.0A AC,DC
- 3、 Voltage rating: 100V AC,DC
- 4、 Temperature range: -25°C to +85°C
(Including temperature rise in applying electrical current)
- 5、 Contact resistance: Initial value/ ≤10mΩ
After environmental testing/ ≤20mΩ
- 6、 Insulation resistance: ≥1000mΩ
- 7、 Withstanding voltage: 800V AC/minute
- 8、 Applicable wire: AWG #32 to #24
- 9、 Applicable PC board thickness: 0.8~1.6mm

Mounting Measurement

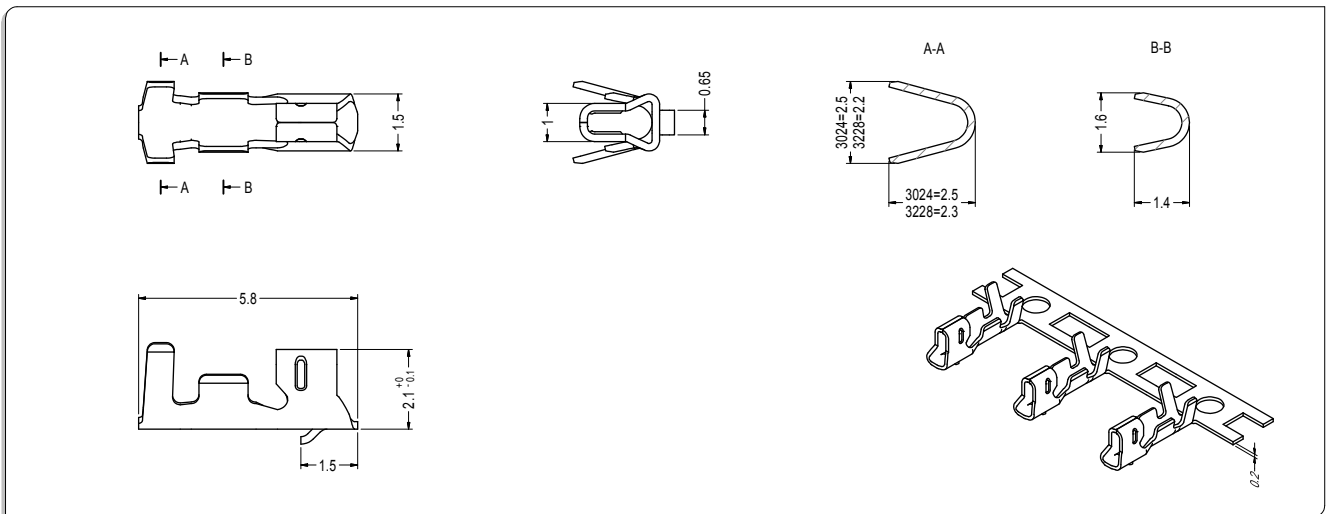
Straight Angle(V-Type)



Right Angle(R-Type)



TERMINAL

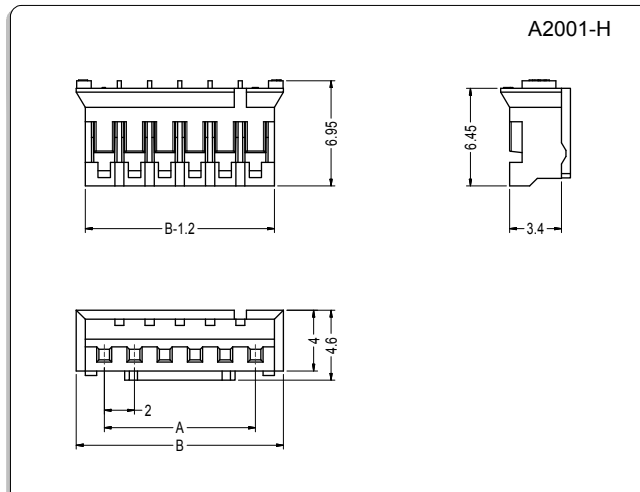


Part No.	Section Area mm ²	Wire Range	Insulation O.D	Material	Finish	Qty/reel
A2001-3024TP2	0.05 to 0.22	AWG #30 to #24	0.9 to 1.5mm	Phosphor bronze	Tin-plated	10,000pcs
A2001-3228TP2	0.032 to 0.08	AWG #32 to #28	0.5 to 0.9mm	Phosphor bronze	Tin-plated	10,000pcs

A2001(PH) connector 2.0mm pitch

HOUSING

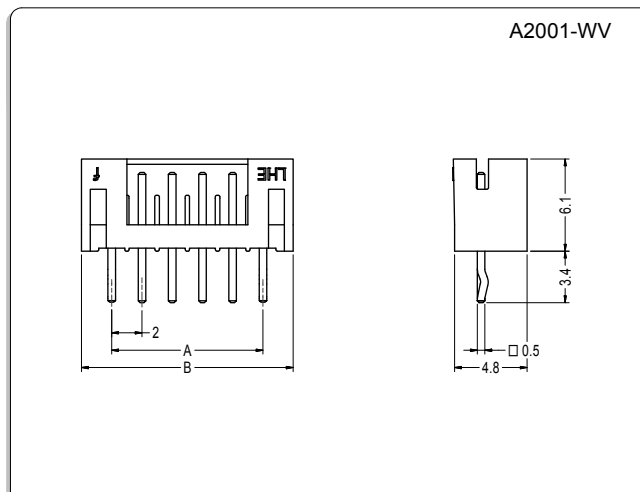
Material: Nylon 66 UL 94V-0



Poles	Part No.	DIM=A	DIM=B
2	A2001-H02	2.00	5.70
3	A2001-H03	4.00	7.70
4	A2001-H04	6.00	9.70
5	A2001-H05	8.00	11.70
6	A2001-H06	10.00	13.70
7	A2001-H07	12.00	15.70
8	A2001-H08	14.00	17.70
9	A2001-H09	16.00	19.70
10	A2001-H10	18.00	21.70
11	A2001-H11	20.00	23.70
12	A2001-H12	22.00	25.70
--	-- --	--	--
20	A2001-H20	38.00	41.70
3	09-JY-A2001-H B03	4.00	7.70

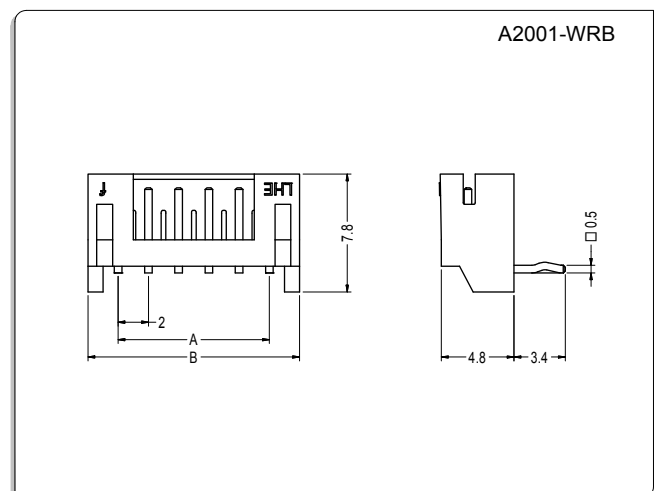
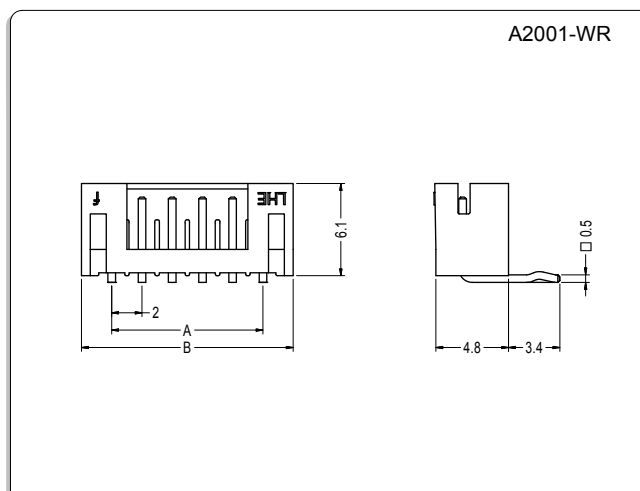
WAFER

Material: Nylon 66 UL94V-0 & Brass/Tin-plated
Straight Angle(V-Type)



Poles	Part No.	DIM=A	DIM=B
2	A2001-WV02	2.00	6.00
3	A2001-WV03	4.00	8.00
--	-- --	--	--
20	A2001-WV20	38.00	42.00
2	A2001-WR02	2.00	6.00
3	A2001-WR03	4.00	8.00
--	-- --	--	--
20	A2001-WR20	38.00	42.00
2	A2001-WRB02	2.00	6.00
3	A2001-WRB03	4.00	8.00
--	-- --	--	--
20	A2001-WRB20	38.00	42.00

Right Angle(R-Type)



A

A2001(PH) connector 2.0mm [079] pitch