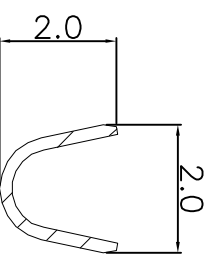
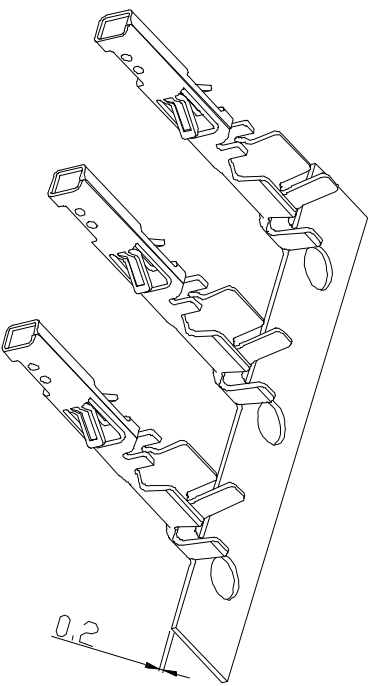
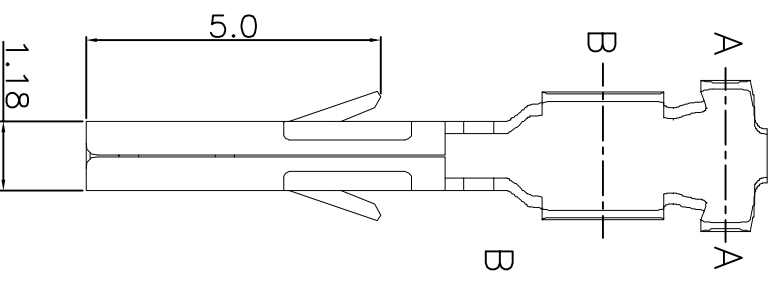
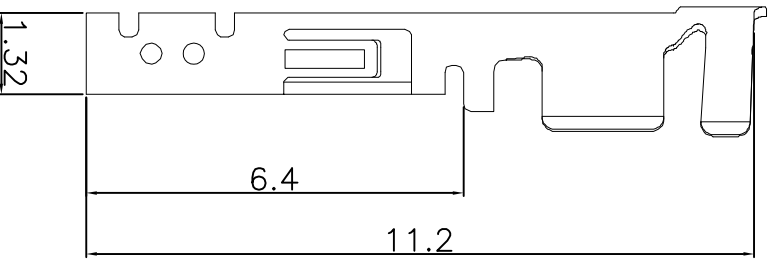
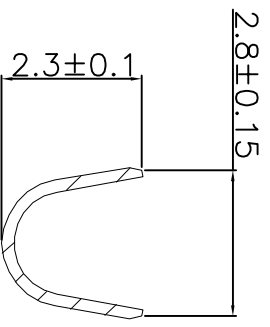


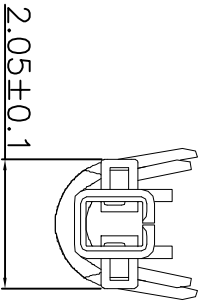
ROHS COMPLIANT



B-B



A-A



NOTES:
 1.TERMINAL MATERIAL: Phosphor Bronze
 2.PLATING: Tin Plated On Nickel Overall

SPECIFICATIONS:
 1. ELECTRICAL CHARACTERISTICS:
 1-1.Wire Range: 20-30AWG

Matching	
Product Name	Part No.
90°SMT Wafer	WB300SW-02-1xxSRCPBKA06
Housing	WB300H-1xxAA10

DEVETECH ELECTRONICS CO. LTD			DRWN: LUOZILIANG 2018-08-17 CHKD: ALAN 2018-08-17 APPD: WILLIAM 2018-08-17		PART NO.: WB300T-AA10 TITLE: PH:3.0mm WTB TERMINAL	
DIM	TOL	DEC	TOL	SHEET:	UNIT	SCALE
X.	±0.50	X.	±2°	1/1	mm	N/A
X.X	±0.35	X.X'	±2°		SCALE	SIZE
X.XX	±0.20	X.XX'	±--		N/A	A4
X.XXX	±0.10	X.XXX'	±--	REV	A	