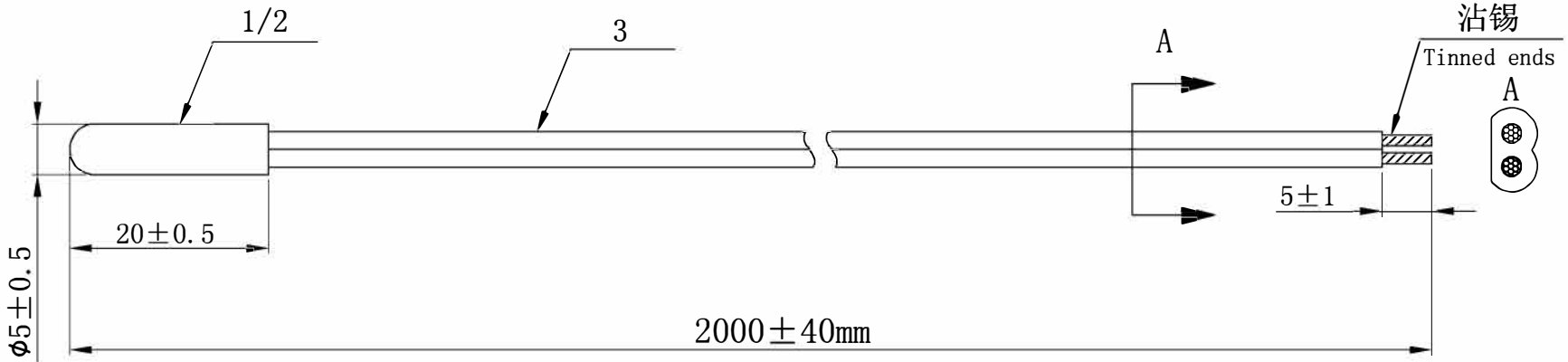


标记 Mark	数量 Amount	变更记录 Subjects of Change	版次 Edition	日期 Date
		首次制定 Establishment	1.0	2024.02.05 Feb.05.2024



项目 Items	要求 Ratings	环境 Remarks
1	标准阻值: R-25°C Rated zero-power resistance E25	10.0kOhm 在25°C温度时电阻阻值 Zero-power resistance is measured at 25°C
2	阻值精度: R-25°C Tolerance of rated zero-power resistance E25	±1%
3	B值: B25/85°C Rated B-value E25/85	3435K 热敏电阻器B值的电阻计算 值测量是25°C/85°C B-value is calculated with the zero-power resistance values measured at 25°C and 85°C
4	B值精度 Tolerance of rated B-value E25/85	±1%
5	耐压测试 Hi-pot tes	AC1500V/1秒 AC1500V/1 Sec 传感器导线与壳体承受的电压 shall be withstand between each end of sensor and the shell
6	热时间常数 Thermal time constant	大约 15~25 秒 About 15~25 Sec 在 25°C~85°C 油中, (63.2%) In 25°C to 85°C oil, (63.2%)
7	耗散常数 Dissipation constant	Min 3mW/°C 在空气中 In still air
8	工作温度范围 Operating temperature range	-40°C~+110°C
9	防水等级 Waterproof level	IP67

项目 NO.	名称 PART NAME	数量 Q'TY	材料 Material	备注 Remark
3	导线 Wire	1	TPE 2×26AWG扁线 (1.65×3.6) TPE 26AWG 2C/TS Flat Cable 1.65×3.6	黑色 Black
2	成型 Molding	2	TPE 注塑成型 TPE Plastic	黑色 Black
1	元件 Thermlstor	1	R25°C=10K Ω ±1% B25/85°C=3435K ±1%	环氧 Epoxy

制图 Produced by	李艳敏 Li yan min	<b>DEVETECH ELECTRONICS CO. LTD</b>	图号: TYP24020502 Drawing No. TYP24020502
复核 Checked by	刘晓英 Liu xiao ying		
设计 Designed by	戴晓军 Dai xiao jun	料号: P/N DVMEF-103F3435BT2000-0520	单位: mm Unit: mm
批准 Approved by	戴晓军 Dai xiao jun		日期: 2024.02.05 Date: Feb.05.2024
客户料号: Customer P/N			

1

2

3

4

5

6

7