

# DC BRUSHLESS FAN

## General Specifications

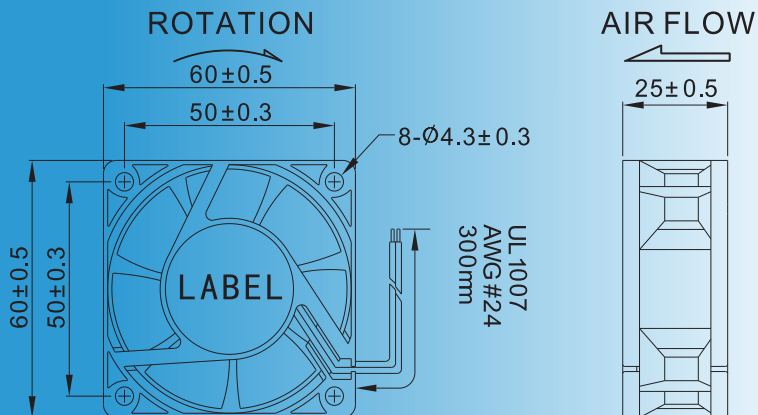
# 60<sup>25</sup>mm

## Axial Fan

### 25 mm thick

Frame and Impeller:	Plastic (94V-0),PBT
Bearing Type:	Sleeve bearing&Ball bearing
Function Range:	FG RD PWM IP58 IP68
Leadwire:	Red Wire Positive(+),Black Wire Negative(-)
Operating Voltage:	5V 12V 24V 48V
Temperature Range:	-20°C to+70°C
Motor:	Impedance Protected and Reverse Polarity Protected

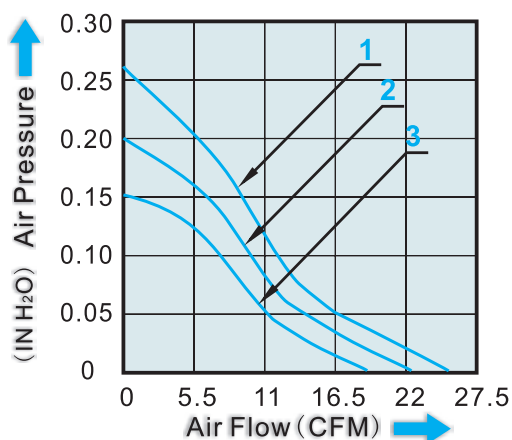
## Dimensions(Unit:mm)



## Specifications

Model	Bearing	Rated	Operating	Input	Input	Speed	Max	Max	Noise	Weight		
Part No.	Type	Voltage	Voltage	Current	Power	RPM	Air Flow	Static Pressure				
	B.S	VDC	VDC	Amp	Watt		CFM	m <sup>3</sup> /min	Inch-H <sub>2</sub> O	pa	dB-A	g
DV6025AB(S)U1	B.S	12	7.0-13.8	0.45	5.40	6000	29.43	0.83	0.37	91.40	45.00	56.00
DV6025AB(S)H1	B.S	12	7.0-13.8	0.25	3.00	5000	24.77	0.70	0.27	67.47	38.00	56.00
DV6025AB(S)M1	B.S	12	7.0-13.8	0.18	2.16	4000	19.15	0.54	0.17	42.56	32.00	56.00
DV6025AB(S)L1	B.S	12	7.0-13.8	0.10	1.20	3000	14.77	0.42	0.11	26.38	27.00	56.00
DV6025AB(S)D1	B.S	12	7.0-13.8	0.06	0.72	2000	9.20	0.26	0.04	10.49	23.00	56.00
DV6025AB(S)U2	B.S	24	14.0-27.6	0.25	6.00	6000	29.43	0.83	0.37	91.40	45.00	56.00
DV6025AB(S)H2	B.S	24	14.0-27.6	0.18	4.32	5000	24.77	0.70	0.27	67.47	38.00	56.00
DV6025AB(S)M2	B.S	24	14.0-27.6	0.15	3.60	4000	19.15	0.54	0.17	42.56	32.00	56.00
DV6025AB(S)L2	B.S	24	14.0-27.6	0.10	2.40	3000	14.77	0.42	0.11	26.38	27.00	56.00
DV6025AB(S)U4	B.S	48	28.0-56.0	0.18	8.64	6000	29.43	0.83	0.37	91.40	45.00	56.00
DV6025AB(S)H4	B.S	48	28.0-56.0	0.12	5.76	5000	24.77	0.70	0.27	67.47	38.00	56.00
DV6025AB(S)M4	B.S	48	28.0-56.0	0.08	3.84	4000	19.15	0.54	0.17	42.56	32.00	56.00
DV6025AB(S)L4	B.S	48	28.0-56.0	0.06	2.88	3000	14.77	0.42	0.11	26.38	27.00	56.00

## Fan Performance Curve



### Expected Life

- ◆ Ball Bearing 50,000 hours(40°C)
- ◆ Sleeve Bearing 30,000 hours(40°C)

### Allowable Ambient Temperature Range

- ◆ -10°C~+70°C (Operating)
- ◆ -40°C~+70°C (Storage)
- ◆ (non-condensing environment)



DEVETECH ELECTRONICS CO. LTD

