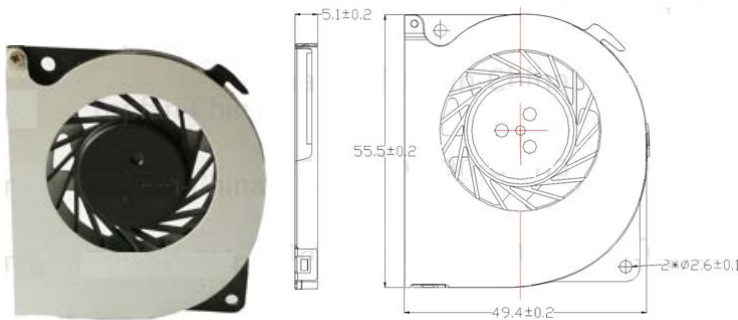


General Specifications

<u>Frame and Impeller:</u>	Plastic (94V-0), PBT
<u>Bearing Type:</u>	Sleeve bearing&Ball Bearing
<u>Function Range:</u>	PWM FG RD IP58 IP68
<u>Leadwire:</u>	Red Wire Positive (+), Black Wire Negative (-)
<u>Rated Voltage:</u>	5V 12V 24V 48V
<u>Operating Temp:</u>	-30°C to +80°C
<u>Expected Life:</u>	Ball Bearing 50000 hours (40°C) Sleeve Bearing 30000 hours (40°C)
<u>Motor:</u>	Locked rotor burned protection Reverse polarity protection

Dimension units (mm)



Specifications

Model	Bearing Type	Rated Voltage	Operating Voltage	Rated Current	Input Power	Speed	Max Airflow	Max. Static Pressure	Noise Level
PN	SBY	VDC	VDC	AMP	Watt	RPM	CFM	Mn-H2O	dB-A
DVMX5005GBH5	B	5	4,5-5,5	0,2	1	10000	1,92	3,55	22,5
DVMX5005GBM5				0,16	0,8	9000	1,8	2,64	20,58
DVMX5005GBL5				0,12	0,6	8000	1,6	1,58	20,18
DVMX5005GBH1	B	12	10.8-13.2	0,15	1,8	10000	1,92	3,55	22,5
DVMX5005GBM1				0,12	1,44	9000	1,8	2,64	20,58
DVMX5005GBL1				0,09	1,08	8000	1,6	1,58	20,18