



# DEVETECH ELECTRONICS LIMITED

Address: 11/F., Front Block, Hang Lok Building, 130 Wing Lok St., Sheung Wan, HK

Registration. Nr.: 1994258

Email: [info@devetechelectronics.com](mailto:info@devetechelectronics.com)

## SPECIFICATION FOR APPROVAL

CUSTOMER'S CODE:

DESCRIPTION:

Metal Indicator Light

SPECIFICATION:

10mm

DATE:

2023-04-08

PART NO. DV: DVFL1M-10SW-1

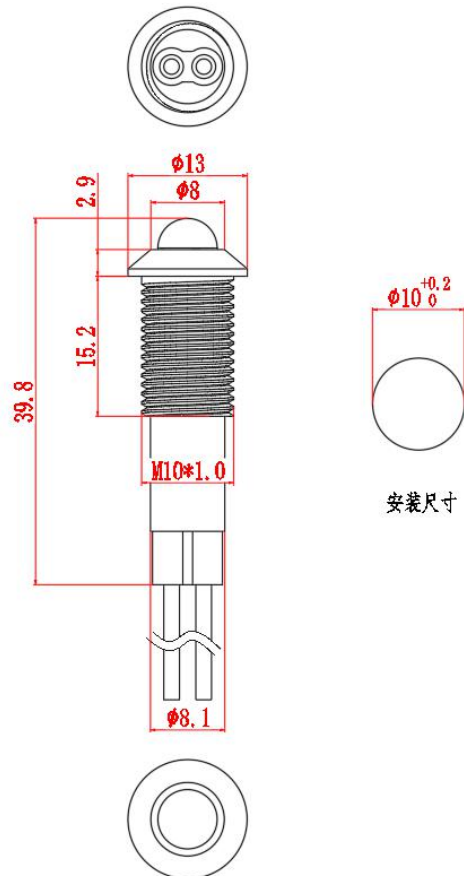
REFERENCE No.:

Form Designer	Qualified By	Approved By
Tao Song	Qu Bin	Chen Ping

## 1. Picture:



## 2. Drawing:





# DEVETECH ELECTRONICS LIMITED

Address: 11/F., Front Block, Hang Lok Building, 130 Wing Lok St., Sheung Wan, HK

Registration. Nr.: 1994258

Email: [info@devetechelectronics.com](mailto:info@devetechelectronics.com)

## 3. Component Material

Component Name	Material
Shell	Copper Alloy
Lamp Holder	PA66
Lampshade	PC
Luminescent Source	LED
Resistance	Carbon Film Resistance
Wire Leading	PVC
Nut	Copper Alloy
O-ring	Silica Gel
Gasket	A3 Iron

## 4. Performance Parameter

Items	Parameter
Voltage	3-250V
Rated Current	20mA
Rated Power	0.2W
Insulation and Voltage Resistance	2000V/10s
Working Life	10, 0000h
Cold-Resistant	-40°C
Heat-Resistant	80°C
LED Color	R/G/Y/B/W

## 5. Led Detailed Picture



## 6. LED Specification

### 6.1 Absolute Maximum Rating

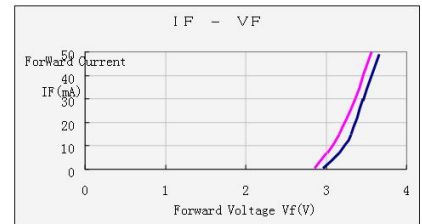
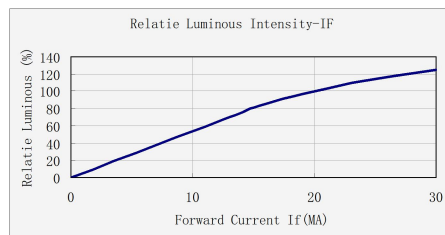
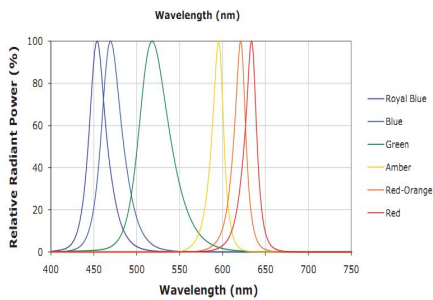
Item	Symbol	Rated Value	Unit
Instantaneous pulsed current	IFP	20	mA
Reverse Voltage	VR	5	V
Power	PD	60	mW
Working Temp.	TOPR	-40~+80	°C
Storage Temperature	TSTG	-40~+100	°C
Lead-free Soldering Temperature	TSOL	Max. 260°C for 3sec Max.	

#### Notes:

- 1) Product photoelectric performance level, different levels of product photoelectric performance is different, please customers according to their own conditions of use to decide the use method.
- 2) The measurement of light intensity and dominant wavelength is corrected according to the CIE international standard of the human eye response curve.
- 3) When the brightness of the central axis is 50%, the luminous angle of one side is  $\theta_{1/2}$ ,  $2\theta_{1/2} = \theta_{1/2} + \theta_{1/2}$ .
- 4) The measurement tolerance of luminous intensity is  $\pm 15\%$ .
- 5) The voltage is measured with a tolerance of  $\pm 0.1$  V.
- 6) The measurement tolerance of color coordinates X and Y is  $\pm 0.015$ .

## 6.2 Product Optoelectronic Characteristics ( Ta = 25°C)

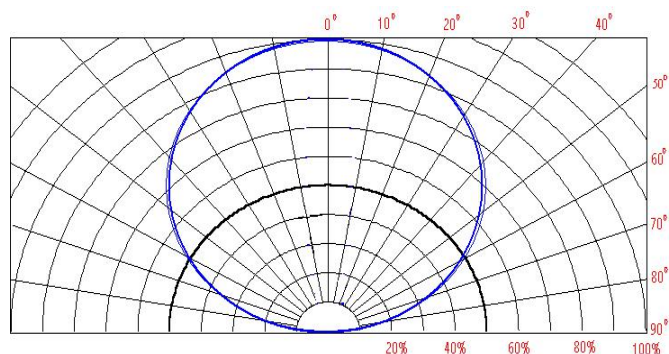
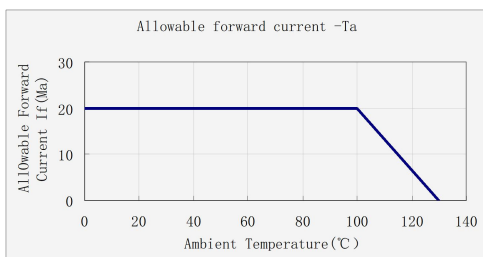
Item	Symbol	Condition	Min.	Average Value	Max.	Unit
Forward Voltage	VF	IF=20mA	2.8	--	3.2	V
Reverse Current	IR	VR=5v	--	--	5	μA
Angle	2θ1/2	IF=20mA	--	60	--	deg
Brightness	φ V	IF=20mA	500	--	800	mcd
Recommend Current	IF	--	--	20	--	mA
Color	cct& λ d	IF=20mA	520	--	525	nm
Junction Temperature	T <sub>J</sub>	IF=20mA	--	125	--	°C
Thermal Resistance	R <sub>JP</sub>	IF=20mA	--	8	--	°C/W



Wavelength characteristics

Light intensity and forward current curves

Reverse current vs. forward voltage plot



Maximum Forward DC vs. Temperature Graph