



DEVETECH ELECTRONICS LIMITED

Address: 11/F., Front Block, Hang Lok Building, 130 Wing Lok St., Sheung Wan, HK

Registration. Nr.: 1994258

Email: info@devetechelectronics.com

SPECIFICATION FOR APPROVAL

CUSTOMER'S CODE

DESCRIPTION Plastic Indicator Light

SPECIFICATION 12.5mm

DATE 2019-04-08

PART NO. DVFL1M-12.5QJ-2

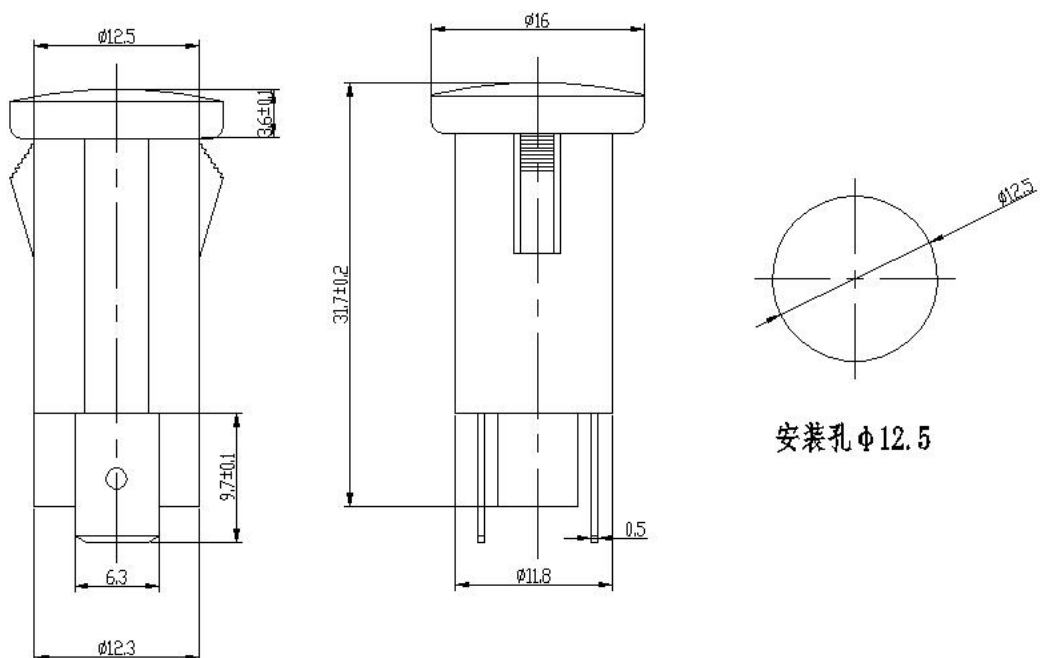
REFERENCE No.

Form Designer	Qualified By	Approved By
Tao Song	Qu Bin	Chen Ping

1. Picture:



2. Drawing:



3.Component Material

Component Name	Material
Lens	PC
Shell	PA66
Base	PA66
Luminescent Source	LED
Resistance	Carbon Film Resistance
Pin Leading	Brass

4. Performance Parameter

Items	Parameter
Voltage	3V-250V
Rated Current	20mA
Rated Power	0.2W
Insulation and Voltage Resistance	2000V/10s
Working life	100,000h
Cold-resistant	-40°C
Heat-Resistant	+80°C
LED Color	Red, Yellow, Blue, Green, White

5.LED Detailed Picture





DEVETECH ELECTRONICS LIMITED

Address: 11/F., Front Block, Hang Lok Building, 130 Wing Lok St., Sheung Wan, HK

Registration. Nr.: 1994258

Email: info@devetechelectronics.com

6. LED Specification

6.1 Absolute Maximum Rating

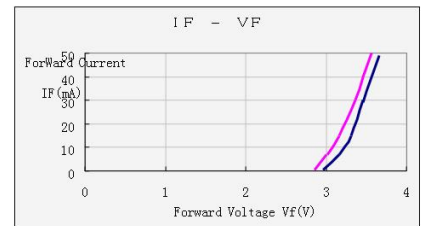
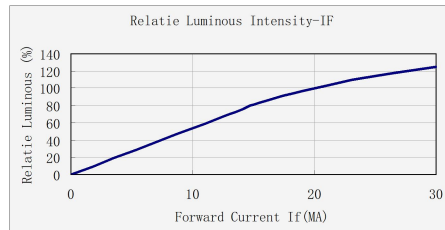
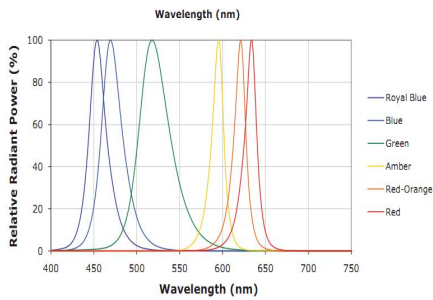
Item	Symbol	Rated Value	Unit
Maximum Forward Current	IFP	20	mA
Reverse Voltage	VR	5	V
Power	PD	60	mW
Working Temp.	TOPR	-40~+80	°C
Storage temperature	TSTG	-40~+100	°C
Lead-free Soldering temperature	TSOL	Max. 260°C for 3sec Max.	

Notes:

- 1) Product photoelectric performance level, different levels of product photoelectric performance is different, please customers according to their own conditions of use to decide the use method.
- 2) The measurement of light intensity and dominant wavelength is corrected according to the CIE international standard of the human eye response curve.
- 3) When the brightness of the central axis is 50%, the luminous angle of one side is $\theta_{1/2}$, $2\theta_{1/2} = \theta_{1/2} + \theta_{1/2}$.
- 4) The measurement tolerance of luminous intensity is $\pm 15\%$.
- 5) The voltage is measured with a tolerance of ± 0.1 V.
- 6) The measurement tolerance of color coordinates X and Y is ± 0.015 .

6.2 Product Optoelectronic Characteristics (Ta = 25°C)

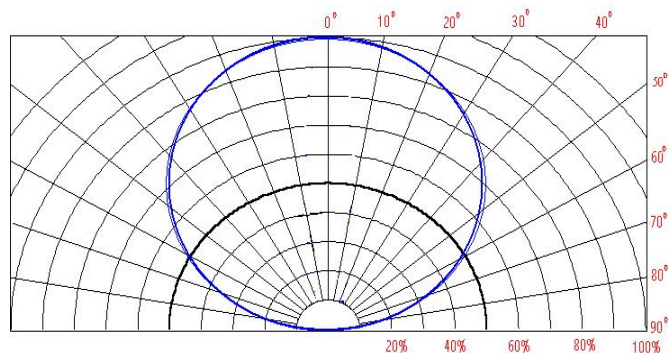
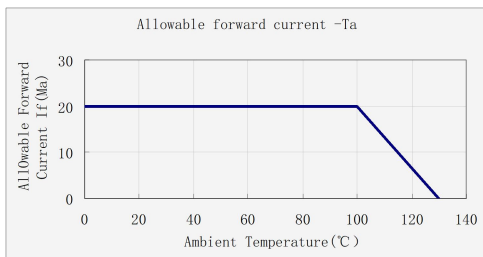
Item	Symbol	Condition	Min.	Average Value	Max.	Unit
Forward Voltage	V _F	I _F =20mA	2.8	--	3.2	V
Reverse Current	I _R	V _R =5v	--	--	5	μA
Angle	2θ _{1/2}	I _F =20mA	--	60	--	deg
Brightness	φ _V	I _F =20mA	500	--	800	mcd
Recommend Current	I _F	--	--	20	--	mA
Color	cct& λ _d	I _F =20mA	520	--	525	nm
Junction Temperature	T _J	I _F =20mA	--	125	--	°C
Thermal Resistance	R _{JP}	I _F =20mA	--	8	--	°C/W



Wavelength characteristics

Light intensity and forward current curves

Reverse current vs. forward voltage plot



Maximum Forward DC vs. Temperature Graph