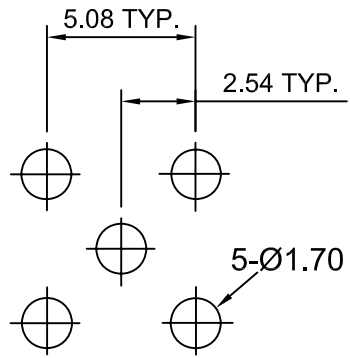
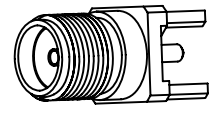
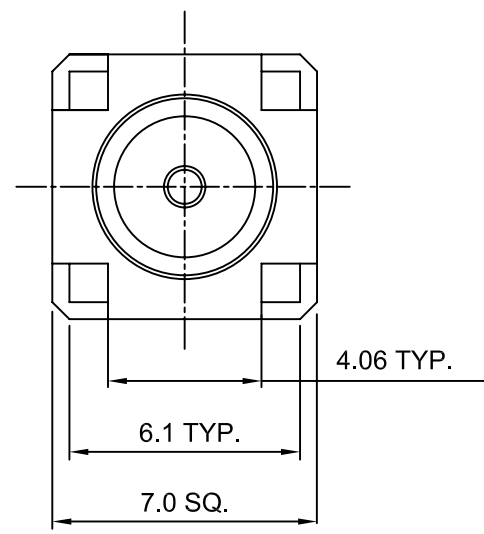
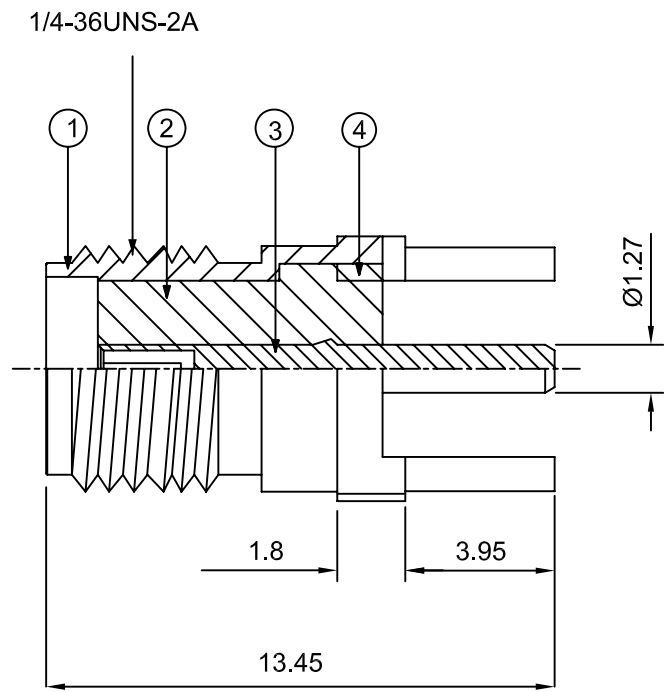


RoHS
COMPLIANT



RECOMMENDED P.C.B LAYOUT



Scale: 2 : 1

NO.	DESCRIPTION	QT'Y	MATERIAL	FINISH
4	RING	1	BRASS	GOLD PLATED
3	CONTACT	1	BERYLLIUM COPPER	GOLD PLATED
2	INSULATOR	1	PTFE	NONE
1	BODY	1	BRASS	GOLD PLATED

DO NOT SCALE DRAWING

GENERAL TOLERANCES
DIM: .X±0.25(0.01) .XX±0.12(0.005)
ANGULAR: ±5°

DIMENSION CLASSIFICATION
■: CRITICAL ☒: MAJOR

MATERIAL : SEE TABLE

FINISH : SEE TABLE

DRAWN BY: Lisa CHK'D BY: Pearil

APP'D BY: James SCALE : 5 : 1

SHEET 1 OF 1 UNIT : mm



EnterTec Technology Inc.

TITLE: SMA(F) S/T Jack For P.C.B Mount

DWG. NO.: 13012934

FILE. NO.: F:\Drawing\SMA

REV
1

	8	7	6	5	4	3	2	1
E								
D								
C								
B								
A								
	8	7	6	5	4	3	2	1