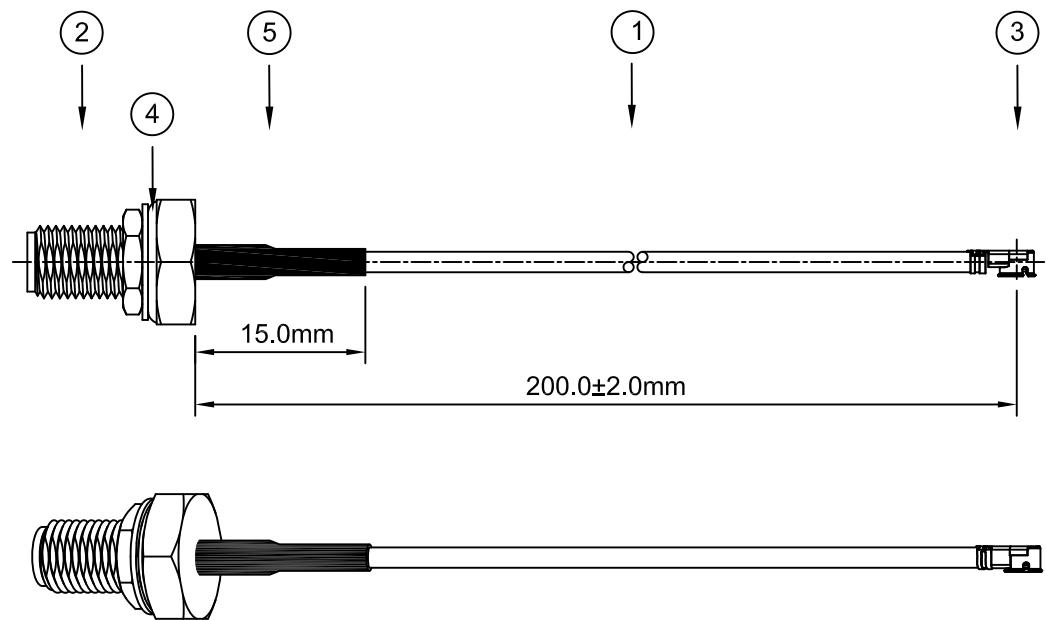


RoHS
COMPLIANT



5	HEAT SHRINK TUBE	1	Ø2.5mm L=15mm	52012809
4	PARTS	1	O-Ring(Ø6.35*2.0*10.35mm)	05034800
3	CONNECTOR	1	IPEX 178	01090609
2	CONNECTOR	1	SMA(F) S/T Bulkhead Jack With O-Ring	05010509
1	CABLE(BROWN)	1	RG-178	37010309
NO.	DESCRIPTION	QT'Y	MATERIAL	P/N

GENERAL TOLERANCES
DIM: .X±0.25(0.01) .XX±0.12(0.005)
ANGULAR: ±5°

DIMENSION CLASSIFICATION
■: CRITICAL ☒: MAJOR

MATERIAL : SEE TABLE
FINISH : SEE TABLE
DRAWN BY: David CHK'D BY: Eric
APP'D BY: James SCALE : 1.5 : 1
UNIT : mm

EnterTec EnterTec Technology Inc.
TITLE: SMA(F) S/T Bulkhead Jack With O-Ring / RG-178 / IPEX , L=200mm
DWG.NO.: 20191203-01 REV 1
FILE. NO.: F:\Drawing\20191203

DO NOT SCALE DRAWING

LTR	REVISION RECORD	ECN	DR / CHK	DATE
-----	-----------------	-----	----------	------

REVISE ONLY ON CAD SYSTEM

SHEET 1 OF 1

UNIT : mm