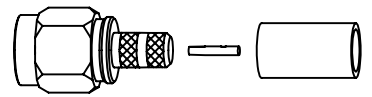
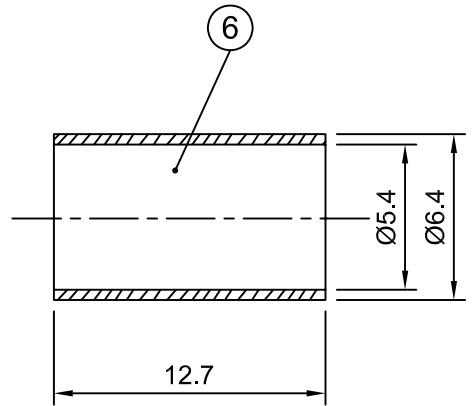
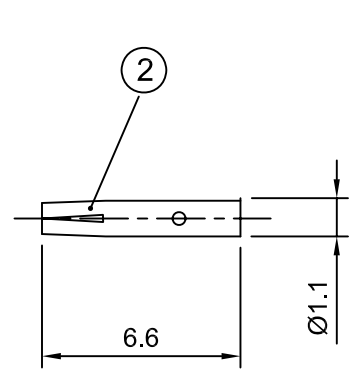
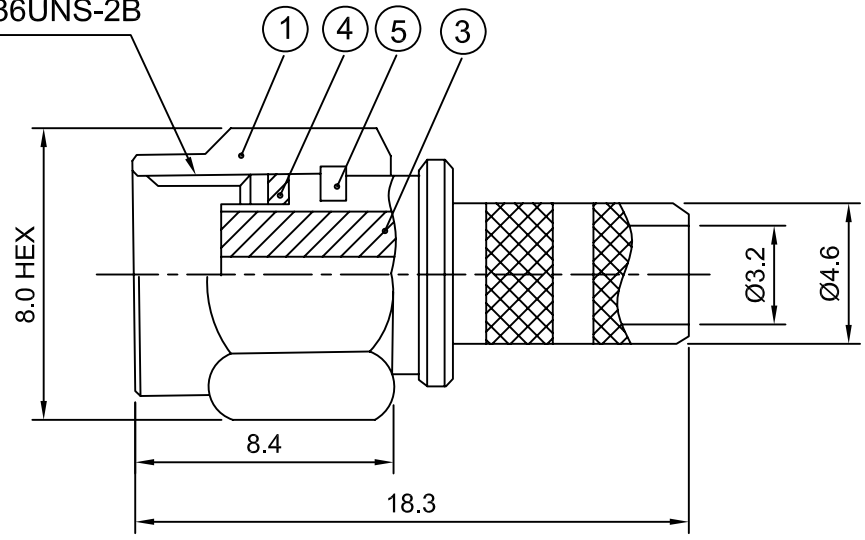


RoHS
COMPLIANT

1/4-36UNS-2B



SCALE : 1 : 1

6	FERRULE	1	BRASS	GOLD PLATED
5	C-RING	1	BERYLLIUM COPPER	NONE
4	O-RING	1	SILICON RUBBER	NONE
3	INSULATOR	1	TEFLON	NONE
2	CONTACT	1	BERYLLIUM COPPER	GOLD PLATED
1	BODY	1	BRASS	GOLD PLATED
NO.	DESCRIPTION	QT'Y	MATERIAL	FINISH

GENERAL TOLERANCES
DIM: .X±0.25(0.01) .XX±0.12(0.005)
ANGULAR: ±5°

DIMENSION CLASSIFICATION
■: CRITICAL ☒: MAJOR

MATERIAL : SEE TABLE

FINISH : SEE TABLE

DRAWN BY: Lisa CHK'D BY: Ivy

APP'D BY: James SCALE : 4 : 1

SHEET 1 OF 1 UNIT : mm

 EnterTec Technology Inc.

TITLE: SMA(M) S/T R/P Plug For RG-141/303/LMR-195

DWG. NO.: 05010223 REV 1

FILE. NO.: F:\Drawing\SMA

DO NOT SCALE DRAWING

LTR	REVISION RECORD	ECN	DR/CHK	DATE
-----	-----------------	-----	--------	------

REVISE ONLY ON CAD SYSTEM

