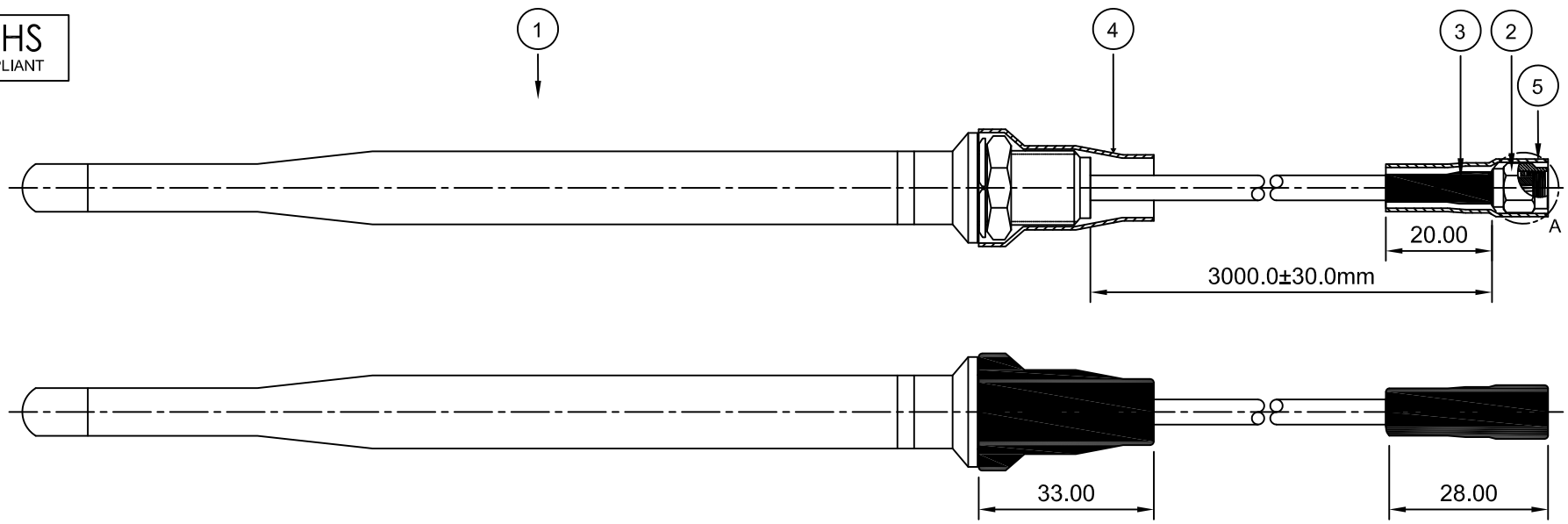


RoHS  
COMPLIANT



Note: IP 67 Waterproof

△	5	BOOT	1	V14(8.8*8.0*28mm)	65295000
△	4	BOOT	1	V38(14.5*13.0*33mm)	65295200
	3	HEAT SHRINK TUBE	1	∅6.0mm , L=20mm	52012209
	2	CONNECTOR	1	SMA(M) S/T R/P Plug	05010221
	1	ANTENNA AND CABLE	1	824-894Mhz / 900,1800Mhz/ 1.9Ghz / 2.1Ghz / 2.4Ghz Antenna with RG-58 cable	20200929-01
	NO.	DESCRIPTION	QTY	MATERIAL	P/N

DO NOT SCALE DRAWING	GENERAL TOLERANCES				MATERIAL : SEE TABLE		EnterTec Technology Inc.	
	DIM: .X±0.25(0.01) .XX±0.12(0.005)				FINISH : SEE TABLE			
	ANGULAR: ±5°				DRAWN BY: David	CHK'D BY: Eric	TITLE: IP 67 Waterproof 824-894Mhz / 900,1800Mhz/ 1.9Ghz / 2.1Ghz / 2.4Ghz Antenna with RG-58 cable / SMA(M) S/T R/P Plug , L=3000mm	
	DIMENSION CLASSIFICATION ■ : CRITICAL    ☒ : MAJOR				APP'D BY: James	SCALE : 0.8 : 1		
△	Del BOM4(L Holder,P/N:C2294403) , Add BOM 4.5	1010726	Eric	21.07.26	SHEET 1 OF 1		DWG.NO.: 20200929-02	REV 2
LTR	REVISION RECORD	ECN	DR/CHK	DATE	REVISION ONLY ON CAD SYSTEM	UNIT : mm	FILE. NO.: F:\Drawing\20200929	