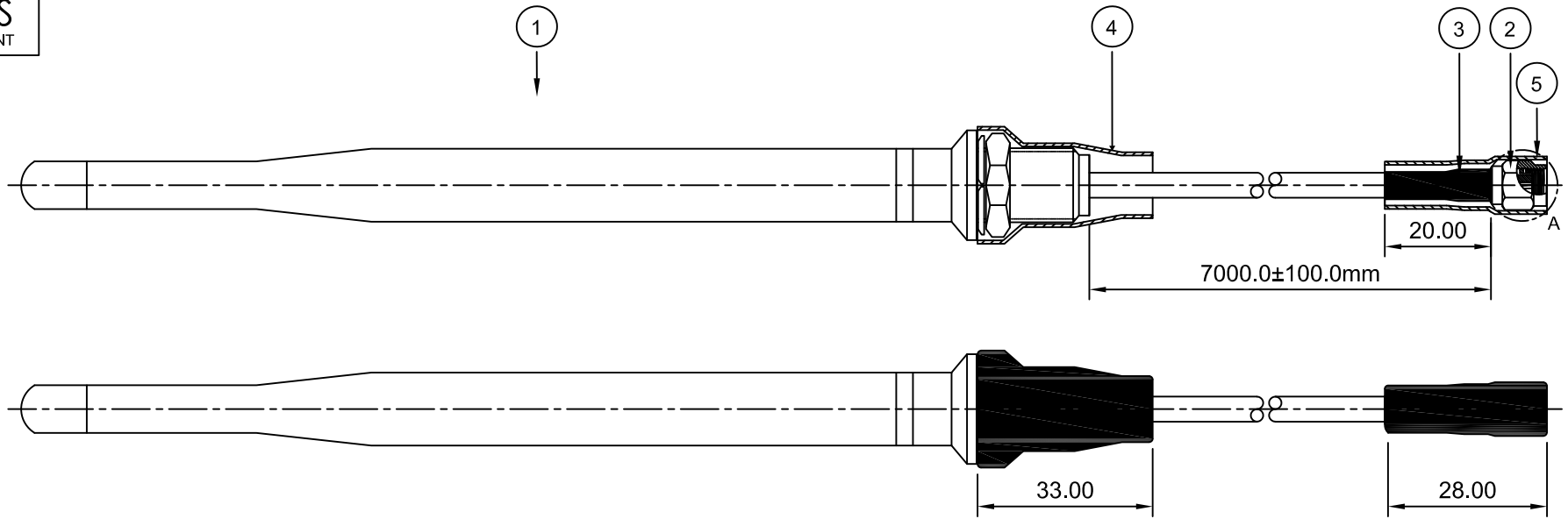
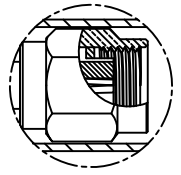


RoHS  
COMPLIANT



Note: IP 67 Waterproof



Detail A

△	5	BOOT	1	V14(8.8*8.0*28mm)	65295000
△	4	BOOT	1	V38(14.5*13.0*33mm)	65295200
	3	HEAT SHRINK TUBE	1	∅6.0mm , L=20mm	52012209
	2	CONNECTOR	1	SMA(M) S/T R/P Plug	05010221
	1	ANTENNA AND CABLE	1	824-894Mhz / 900,1800Mhz/ 1.9Ghz / 2.1Ghz/ 2.4Ghz Antenna with RG-58 cable	20210616-01
	NO.	DESCRIPTION	QTY	MATERIAL	P/N

DO NOT SCALE DRAWING	GENERAL TOLERANCES				MATERIAL : SEE TABLE		EnterTec Technology Inc.	
	DIM: .X±0.25(0.01) .XX±0.12(0.005)				FINISH : SEE TABLE			
	ANGULAR: ±5°				DRAWN BY: David		TITLE: IP 67 Waterproof 824-894Mhz / 900,1800Mhz/ 1.9Ghz / 2.1Ghz/ 2.4Ghz Antenna with RG-58 cable / SMA(M) S/T R/P Plug , L=7000mm	
	DIMENSION CLASSIFICATION				CHK'D BY: Eric		DWG.NO.: 20210616-02	
	■ : CRITICAL    ☒ : MAJOR				APP'D BY: James		SCALE : 0.8 : 1	
△ Add BOM 4,5    1010726    Eric    21.07.26				SHEET 1 OF 1		UNIT : mm		
LTR    REVISION RECORD    ECN    DR/CHK    DATE				REVISION ONLY ON CAD SYSTEM		FILE. NO.: F:\Drawing\20210616		
						REV 2		