

8 7 6 5 4 3 2 1

RoHS
COMPLIANT

(I) Product Overview

Frequency (MHz) : 2400-2500
 VSWR ≤ 1.5
 Gain (dBi) : 5
 Return Loss (dBi) : 17
 Power (W) : 50
 Input Impedance (Ω) : 50
 Cable Length (mm) : 165
 Connector: SMA



E

E

D

D



C

C

B

B

DO NOT SCALE DRAWING

				GENERAL TOLERANCES		MATERIAL : SEE TABLE		 EnterTec Technology Inc.	
				DIM: .X±0.25(0.01) .XX±0.12(0.005)		FINISH : SEE TABLE			
				ANGULAR: ±5°		DRAWN BY: David		CHK'D BY: James	
				DIMENSION CLASSIFICATION		APP'D BY : James		SCALE : 1.5 : 1	
				<input type="checkbox"/> : CRITICAL <input checked="" type="checkbox"/> : MAJOR		SHEET 1 OF 1		UNIT : mm	
						TITLE: 2.4GHz Antenna / SMA(M) S/T R/P Plug, L=165mm		DWG. NO: WA010211	
LTR		REVISION RECORD		ECN		DR / CHK		DATE	
8		7		6		5		4	
				REVISE ONLY ON CAD SYSTEM				FILE. NO: F:\Drawing\Antenna\WA010211	
								REV 1	
								1	

8 7 6 5 4 3 2 1

8

7

6

5

4

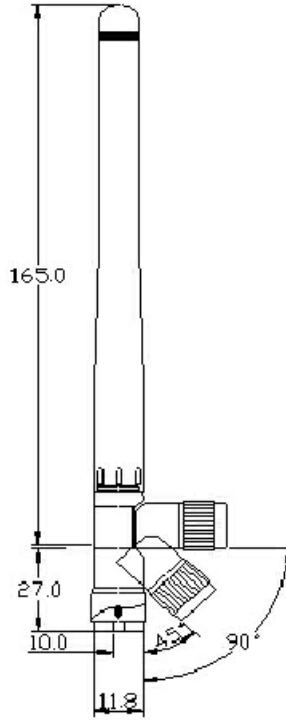
3

2


1

RoHS
COMPLIANT

(II) Product Dimensions



DO NOT SCALE DRAWING

					GENERAL TOLERANCES DIM: .X±0.25(0.01) .XX±0.12(0.005) ANGULAR: ±5°		MATERIAL : SEE TABLE FINISH : SEE TABLE		 EnterTec Technology Inc. TITLE: 2.4GHz Antenna / SMA(M) S/T R/P Plug, L=165mm	
					DIMENSION CLASSIFICATION ■ : CRITICAL ☒ : MAJOR		DRAWN BY: David CHK'D BY: James APP'D BY: James SCALE : 1.5 : 1			
LTR	REVISION RECORD	ECN	DR/CHK	DATE	REVISE ONLY ON CAD SYSTEM		SHEET 1 OF 1		DWG. NO: WA010211 FILE. NO: F:\Drawing\Antenna\WA010211	

A

REV
1

8

7

6

5

4

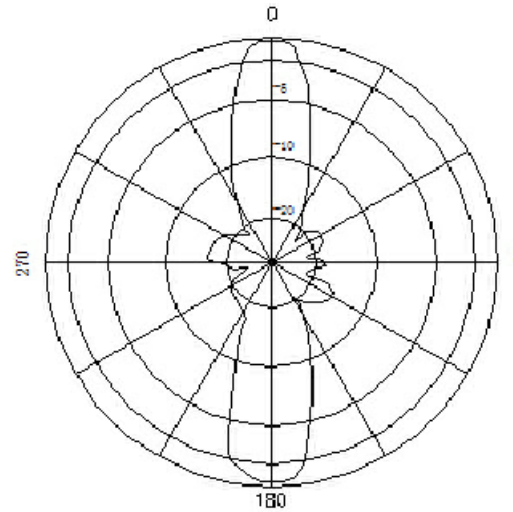
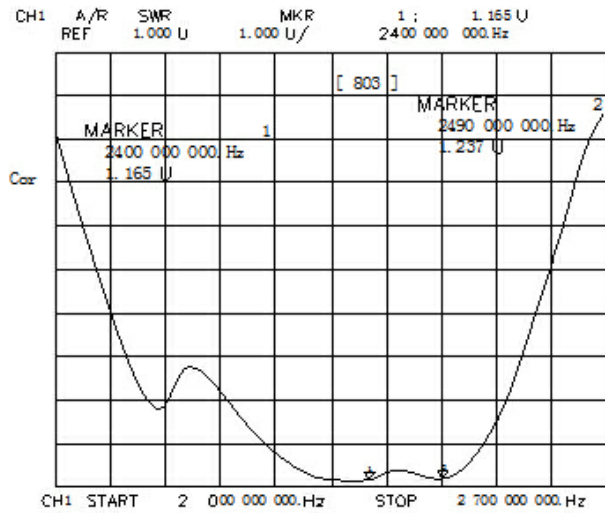
3

2

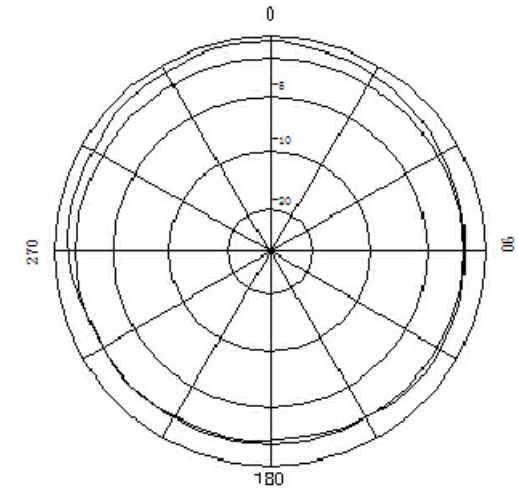
1

RoHS
COMPLIANT

(III) Characteristic curve



垂直面方向图
Vertical Pattern



水平面方向图
Horizontal Pattern

DO NOT SCALE DRAWING

LTR	REVISION RECORD	ECN	DR/CHK	DATE	REVISE ONLY ON CAD SYSTEM


GENERAL TOLERANCES
DIM: .X±0.25(0.01) .XX±0.12(0.005)
ANGULAR: ±5°

DIMENSION CLASSIFICATION
■: CRITICAL ☒: MAJOR

MATERIAL : SEE TABLE
FINISH : SEE TABLE

DRAWN BY: David CHK'D BY: James
APP'D BY: James SCALE : 1.5 : 1

SHEET 1 OF 1 UNIT : mm

 EnterTec Technology Inc.

TITLE: 2.4GHz Antenna / SMA(M) S/T R/P Plug, L=165mm

DWG. NO.: WA010211 REV 1

FILE. NO.: F:\Drawing\Antenna\WA010211