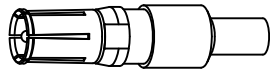
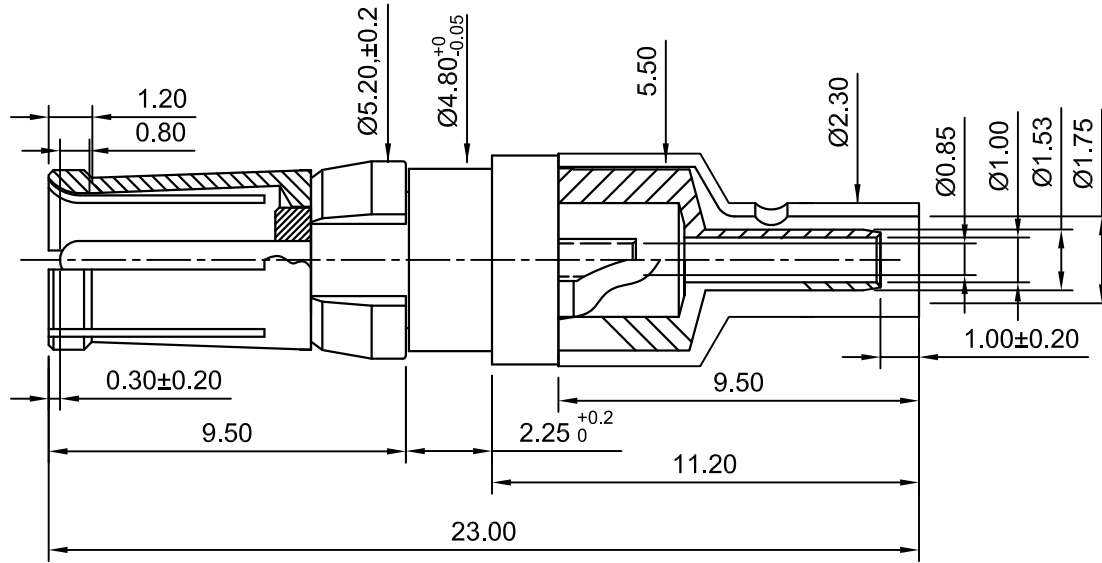


RoHS
COMPLIANT



SCALE: 1.5 : 1

NO.	DESCRIPTION	QT'Y	MATERIAL	FINISH
5	FEERULE	1	BRASS	GOLD PLATED
4	LOCK LINK	1	BRASS	NICKEL PLATED
3	INSULATOR	1	TEFLON	NONE
2	OUTSIDE CONTACT	1	BRASS	GOLD PLATED
1	CENTER CONTACT	1	BRASS	GOLD PLATED

GENERAL TOLERANCES
DIM: .X±0.25(0.01) .XX±0.12(0.005)
ANGULAR: ±5°

DIMENSION CLASSIFICATION
■: CRITICAL ☒: MAJOR



MATERIAL : SEE TABLE
FINISH : SEE TABLE

DRAWN BY: David CHK'D BY: Eric
APP'D BY: James SCALE : 4 : 1

SHEET 1 OF 1 UNIT : mm

EnterTec EnterTec Technology Inc.

TITLE: D-Sub(M Contact) S/T Jack For 1.37mm
DWG.NO.: 13710206 REV 1
FILE. NO.: F:\Drawing\D-Sub

DO NOT SCALE DRAWING

LTR REVISION RECORD ECN DR/CHK DATE

REVISE ONLY ON CAD SYSTEM

SHEET 1 OF 1

UNIT : mm

FILE. NO.: F:\Drawing\D-Sub

REV
1