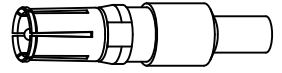
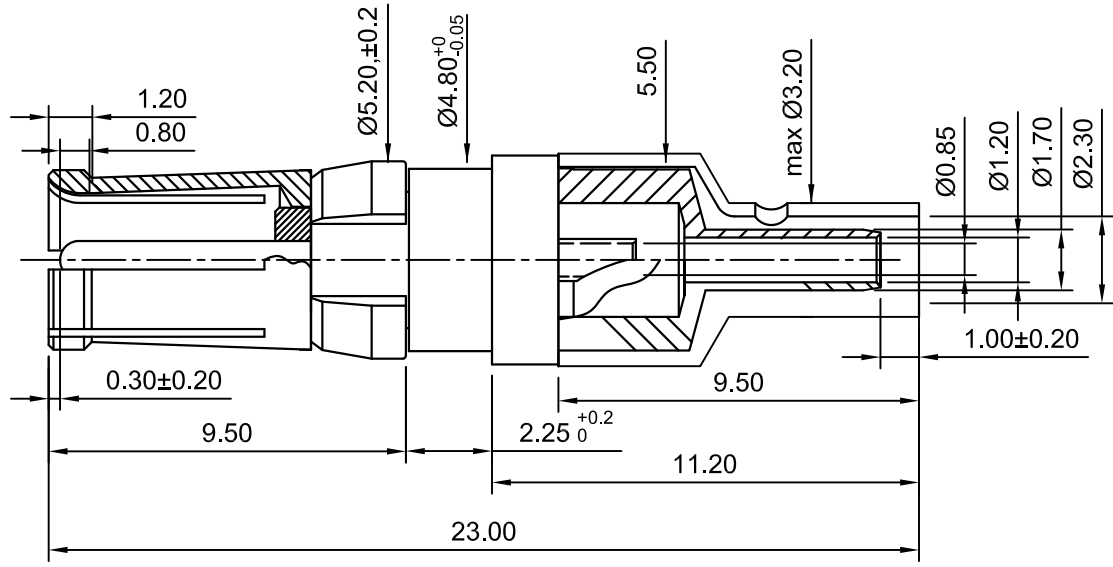


RoHS  
COMPLIANT



SCALE: 1.5 : 1

NO.	DESCRIPTION	QT'Y	MATERIAL	FINISH
5	FEERULE	1	BRASS	GOLD PLATED
4	LOCK LINK	1	BRASS	NICKEL PLATED
3	INSULATOR	1	TEFLON	NONE
2	OUTSIDE CONTACT	1	BRASS	GOLD PLATED
1	CENTER CONTACT	1	BRASS	GOLD PLATED

GENERAL TOLERANCES  
DIM: .X±0.25(0.01) .XX±0.12(0.005)  
ANGULAR: ±5°

DIMENSION CLASSIFICATION  
■: CRITICAL    ☒: MAJOR

MATERIAL : SEE TABLE  
FINISH : SEE TABLE  
DRAWN BY: David    CHK'D BY: Eric  
APP'D BY: James    SCALE : 4 : 1  
SHEET 1 OF 1    UNIT : mm

**EnterTec** EnterTec Technology Inc.  
TITLE: D-Sub(M Contact) S/T Jack For RG-178  
DWG.NO.: B8710209    REV 1  
FILE. NO.: F:\Drawing\D-Sub

DO NOT SCALE DRAWING

LTR	REVISION RECORD	ECN	DR/CHK	DATE

REVISE ONLY ON CAD SYSTEM

8	7	6	5	4	3	2	1
E							E
D							D
C							C
B							B
A							A