



# GPS Receivers A1084

A Description of Maestro's  
GPS Receiver Modules A1084-A/B

## User's Manual

Version 1.4



## Revision History

Rev.	Date	Description
1.0	01-26-09	First release
1.1	06-30-09	Clear differentiation between A and B; extended note on definition of tracking sensitivity; corrected soldering profile; extended temperature range specification with slightly decreased performance below -30°C; added information on voltage feed for active antenna on passive antenna input (ANT_INT); added hint on “Ephemeris Push”; corrected reel and box quantities
1.2	12-11-09	New label description (introduced cw50/09); extended minimum configuration; application note on Hibernate Mode extended (use of ON_OFF pin or Shutdown Command)
1.3	12-22-09	Corrected Vcc connection in minimum configuration (wrong pin in 1.2)
1.4	02-09-11	New style; moved to Maestro
	mm-dd-yy	

## Disclaimer

THIS DOCUMENT CONTAINS PROPRIETARY INFORMATION OF MAESTRO WIRELESS SOLUTIONS LIMITED. IT MAY NOT BE COPIED OR TRANSMITTED BY ANY MEANS, PASSED TO OTHERS, OR STORED IN ANY RETRIEVAL SYSTEM OR MEDIA, WITHOUT PRIOR CONSENT OF MAESTRO OR ITS AUTHORIZED AGENTS.

THE INFORMATION IN THIS DOCUMENT IS, TO THE BEST OF OUR KNOWLEDGE, ENTIRELY CORRECT. HOWEVER, MAESTRO CAN NEITHER ACCEPT LIABILITY FOR ANY INACCURACIES, OR THE CONSEQUENCES THEREOF, NOR FOR ANY LIABILITY ARISING FROM THE USE OR APPLICATION OF ANY CIRCUIT, PRODUCT, OR EXAMPLE SHOWN IN THE DOCUMENT.

THE PRODUCT (HARD- AND SOFTWARE) DESCRIBED IN THIS DOCUMENTATION IS NOT AUTHORIZED FOR USE IN LIFE SUPPORT DEVICES OR SYSTEMS WITHOUT THE EXPRESS WRITTEN APPROVAL OF MAESTRO.

THIS DOCUMENT MAY PROVIDE LINKS TO OTHER WORLD WIDE WEB SITES OR RESOURCES. BECAUSE MAESTRO HAS NO CONTROL OVER SUCH SITES AND RESOURCES, MAESTRO SHALL NOT BE RESPONSIBLE FOR THE AVAILABILITY OF SUCH EXTERNAL SITES OR RESOURCES, AND DOES NOT ENDORSE AND IS NOT RESPONSIBLE OR LIABLE FOR ANY CONTENT, ADVERTISING, PRODUCTS, OR OTHER MATERIALS ON OR AVAILABLE FROM SUCH SITES OR RESOURCES. MAESTRO SHALL NOT BE RESPONSIBLE OR LIABLE, DIRECTLY OR INDIRECTLY, FOR ANY DAMAGE OR LOSS CAUSED OR ALLEGED TO BE CAUSED BY OR IN CONNECTION WITH USE OF OR RELIANCE ON ANY SUCH CONTENT, GOODS OR SERVICES AVAILABLE ON OR THROUGH ANY SUCH SITE OR RESOURCE.

MAESTRO RESERVES THE RIGHT TO CHANGE, MODIFY, OR IMPROVE THIS DOCUMENT OR THE PRODUCT DESCRIBED HEREIN, AS SEEN FIT BY MAESTRO WITHOUT FURTHER NOTICE.

# Table of Contents

<b>1 Introduction</b> .....	<b>6</b>
1.1 Label .....	7
1.2 Characteristics .....	8
1.2.1 GPS Characteristics .....	8
1.2.2 Mechanical Characteristics .....	8
1.3 Handling Precautions .....	8
<b>2 Ordering Information</b> .....	<b>9</b>
2.1 GPS Receivers A1084 .....	9
2.2 Packing of the A1084 .....	9
2.3 Additional Equipment .....	11
<b>3 Quick Start</b> .....	<b>12</b>
3.1 Minimum Configuration .....	12
3.2 Antennas .....	15
3.2.1 Passive Antennas .....	15
3.2.2 Active Antennas .....	15
3.3 Serial Port Settings .....	15
3.4 Improved TTFB .....	15
<b>4 Mechanical Outline</b> .....	<b>16</b>
4.1 Details Component Side A1084 .....	16
4.2 Details Solder Side A1084 .....	17
<b>5 Pin-out Information</b> .....	<b>18</b>
5.1 Layout A1084 .....	18
5.2 Description A1084 Signals .....	19
5.2.1 Description A1084-A Signals .....	19
5.2.2 Description A1084-B Signals .....	20
5.3 General Comments .....	21
<b>6 Electrical Characteristics</b> .....	<b>22</b>
6.1 Operating Conditions .....	22
6.2 Absolute Maximum Ratings .....	22
6.3 DC Electrical Characteristics .....	23
<b>7 Mounting</b> .....	<b>24</b>
7.1 Proposed Footprint for Soldering .....	24
7.2 Recommended Profile for Reflow Soldering .....	24
<b>8 Use of GPS Antennas</b> .....	<b>25</b>
8.1 Connecting a GPS antenna to the GPS receiver .....	25
8.2 Antenna Connections .....	27
8.2.1 Active Antennas .....	27
8.2.2 Passive Antennas .....	29
8.2.3 Active Antennas on ANT_INT .....	29
8.2.4 Hints .....	29

<b>9 Quality and Reliability</b> .....	<b>30</b>
9.1 Environmental Conditions .....	30
9.2 Product Qualification .....	30
9.3 Production Test.....	30
<b>10 Applications and Hints</b> .....	<b>31</b>
10.1 Minimum Configuration .....	31
10.2 Antenna Status Adaptation .....	31
10.2.1 Antenna Sensor.....	31
10.2.2 Antenna Sensor with Current Limiter.....	32
10.3 VANT Pin (antenna voltage input pin).....	33
10.4 1PPS Pin (1 pulse per second pin) .....	33
10.5 Reset Signal.....	34
10.5.1 Internal Reset Circuit.....	34
10.5.2 External Reset Circuit.....	34
10.6 Battery Back-up.....	35
10.7 Push-to-Fix Mode.....	36
10.8 Hibernate Mode.....	36
10.8.1 Entering Hibernate Mode with ON_OFF Pin .....	36
10.8.2 Entering Hibernate Mode with Shutdown Command.....	36
<b>11 Evaluation Kit EVA1084-A</b> .....	<b>37</b>
<b>12 Related Information</b> .....	<b>38</b>
12.1 Contact.....	38
12.2 Related Documents.....	38
12.3 Related Tools .....	38
<b>13 List of Figures</b> .....	<b>39</b>
<b>14 List of Tables</b> .....	<b>39</b>

# 1 Introduction

Maestro’s GPS modules A1084-A and A1084-B are highly integrated GPS receiver modules that can be used as SMT components. They are capable of receiving signals from up to 20 GPS satellites and transferring them into position and timing information that can be read over a serial port. This new generation of GPS modules combines small size and high-end GPS functionality at low power consumption:

- Operable at 3.3V / 26mA (typ.) @ 1fix per second
- UART interface at CMOS level
- Small form factor of 15.24 x 15.24 mm<sup>2</sup> (0.6” x 0.6”)
- Supported temperature range: -40°C to +85°C
- Single-sided SMT component, for reflow soldering
- RoHS compliant, lead-free
- Tape & reel packaging
- Excellent antenna support:

Feature	A1084-A	A1084-B
Direct support of <b>passive</b> antennas via integrated LNA	YES (on ANT_INT)	YES (on ANT_INT)
Direct support of <b>active</b> antennas via on-module antenna supply voltage feed	YES (on ANT_EXT)	NO (possible via external circuit - see application note)
Integrated <b>RF switch</b> for to select between connected GPS antennas	YES	NO

Table 1: A1084 antenna support

The A1084 receivers are available as off-the-shelf components, 100% tested and shipped in standard tape-and-reel package.

## 1.1 Label

The A1084-A label (size: 9.5 x 9.5 mm<sup>2</sup>) contains the following information:

	<p><b>Hardware</b> rr:hardware revision</p> <p><b>Software</b> sss:software version tt:software release</p> <p><b>Location and date code</b> GS:Factory code yy:production year ww:production week xxxxxx:serial number</p> <p>○:Pin 1 mark</p>	
<p>General description</p>		<p>Example</p>

Figure 1: A1084-A label

The label is placed on the shield of the module. The data matrix code holds the product type, software version, software release, hardware release, factory code, year & week of assembly and a 6-digit serial number. The A1084-B's labels show a "B" instead of the "A".

## 1.2 Characteristics

The modules are characterized by the following parameters.

### 1.2.1 GPS Characteristics

Channels		20, parallel tracking
Correlators		200,000 plus
Frequency		L1 (= 1,575 MHz)
Tracking Sensitivity <sup>(1)</sup>		-159 dBm
Position Accuracy	Stand alone	< 10 m CEP (SA off)
Horizontal Position Accuracy	Stand alone	< 2.5 m CEP (SA off)
Time To First Fix – TTFF (theoretical minimum values; values in real world may differ)	Obscuration recovery <sup>(2)</sup>	0.1 s
	Hot start <sup>(3)</sup>	< 1 s
	Warm <sup>(4)</sup>	< 32 s
	Cold <sup>(5)</sup>	< 35 s

Table 2: A1084 GPS characteristics

- (1) Typical with external active antenna – see also paragraph “3.2 Antennas”
- (2) The calibrated clock of the receiver has not stopped, thus it knows precise time (to the  $\mu$ s level).
- (3) The receiver has estimates of time/date/position and valid almanac and ephemeris data.
- (4) The receiver has estimates of time/date/position and recent almanac.
- (5) The receiver has no estimate of time/date/position, and no recent almanac.

Note: Performance (sensitivity and TTFF) might slightly decrease below  $-30^{\circ}\text{C}$ .

### 1.2.2 Mechanical Characteristics

A1084 Mechanical dimensions	Length	15.24 mm, 0.6”
	Width	15.24 mm, 0.6”
	Height	2.4 mm, 0.095”
A1084 Weight		1.2 g, 0.042 oz

Table 3: A1084 dimensions and weight

## 1.3 Handling Precautions

The GPS receiver modules A1084-A/B are sensitive to electrostatic discharge (ESD). Please handle with appropriate care.



## 2 Ordering Information

### 2.1 GPS Receivers A1084

The order number is built as follows:

- **A1084-Axxx**
- **A1084-Bxxx**

A1084-A for the A1084-A module, A1084-B for the A1084-B module. The “xxx” refers to the current firmware version on the module. If no firmware version is referenced in an order, the latest version will be provided.

### 2.2 Packing of the A1084

The A1084-A/-B GPS modules come in a tape and reel package suitable for pick and place machines.

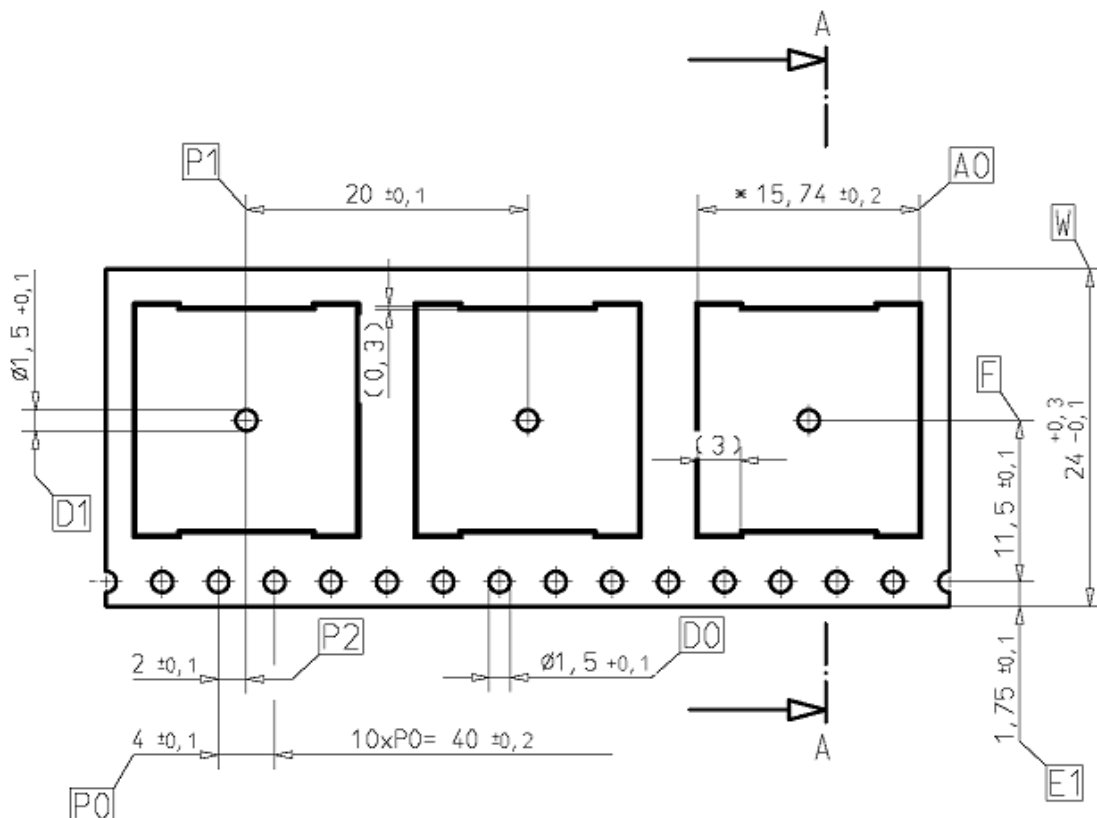


Figure 2: A1084 tape specifications (1)

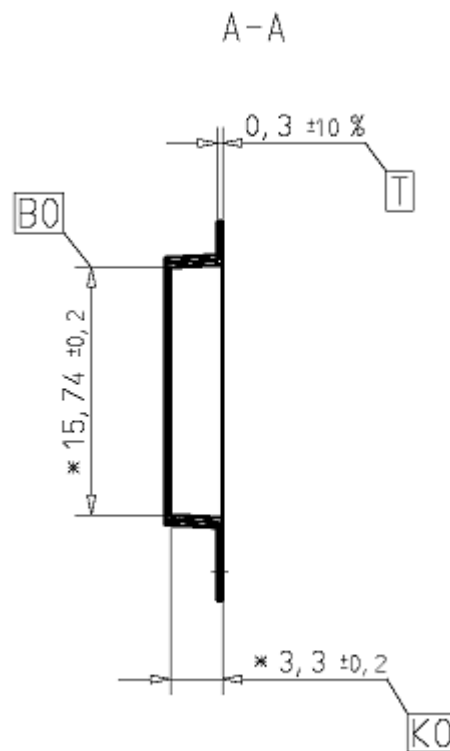


Figure 3: A1084 tape specifications (2)

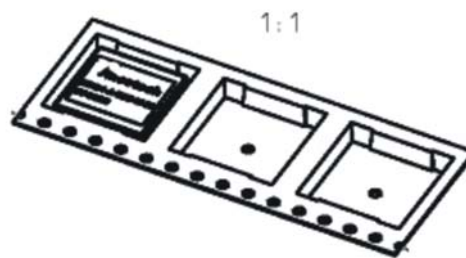


Figure 4: A1084 tape specifications (3)

One complete reel holds 900 A1084 modules.  
One box holds three reels, so a total of 2700 A1084 modules.

## 2.3 Additional Equipment

EVA1084A	Evaluation Kit (including one module A1084A)
----------	--

Table 4: Additional equipment

A detailed description of the EVA1084-A Evaluation Kit can be found in the appropriate manual.

**Note:** There is no specific evaluation kit for the A1084-B, distinct from the evaluation kit for the A1084-A, as evaluation kits are designed for demonstration purposes and testing. The GPS parameters for both modules are identical.

### 3 Quick Start

In order to allow an easy and quick start with the A1084-A and A1084-B modules, this chapter provides a short overview on the important steps to be taken to receive NMEA messages with position information on a serial port. Furthermore this minimum configuration takes best start-up behavior into account.

#### 3.1 Minimum Configuration

The following pictures show two versions of recommended minimum configurations for NMEA output and commands sent and received via an RS232 interface based on the GPS module A1084-A using an active antenna. While the first version foresees that Vcc is applied continuously, the second version assumes a separate back-up battery. In order to go to Hibernate Mode (low power mode) the two configurations use different approaches. The first version requires toggling of the ON\_OFF pin and continued supply of Vcc. With the second version a shutdown command is required; then after a further delay Vcc can be switched off completely. In both cases the current drawn will drop drastically. See also chapter “10.8 Hibernate Mode”.

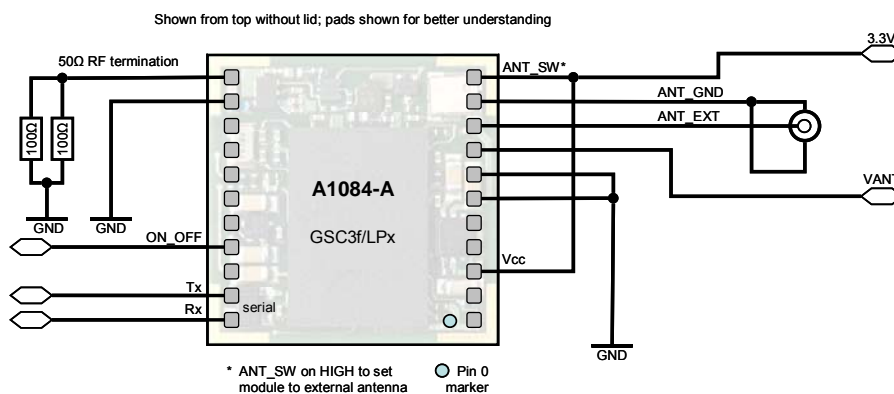


Figure 5: Minimum configuration A1084-A with continued Vcc supply

Remarks:

- Use separate ground plane for antenna ground.
- External antenna input impedance is 50 Ω. Match as close as possible.
- Maximum allowed external antenna current is 50 mA. Consider a current limiter.
- Supply Vcc continuously, use toggling of ON\_OFF to switch between normal operation and hibernate mode

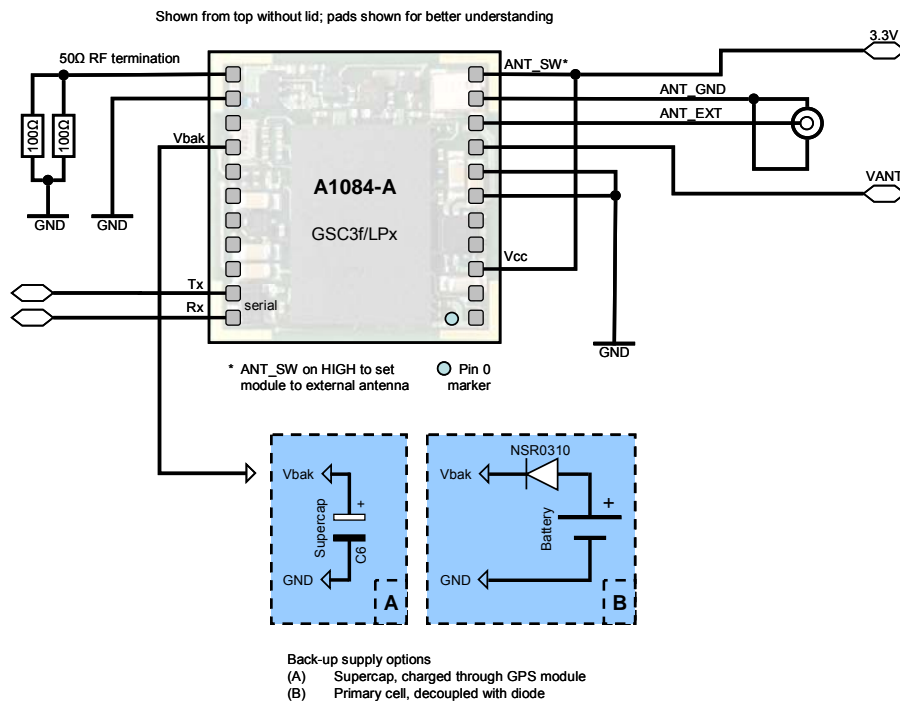


Figure 6: Minimum configuration A1084-A with Vbak

Remarks:

- Use separate ground plane for antenna ground.
- External antenna input impedance is 50 Ω. Match as close as possible.
- Maximum allowed external antenna current is 50 mA. Consider a current limiter.
- A battery back-up circuit for the RTC (Real Time Clock) should be considered (see chapter: “10.6 Battery Back-up”)
- Send shutdown command along with a further delay (2s) before switching Vcc off

For completeness the following pictures show the use of an RS232 level shifter.

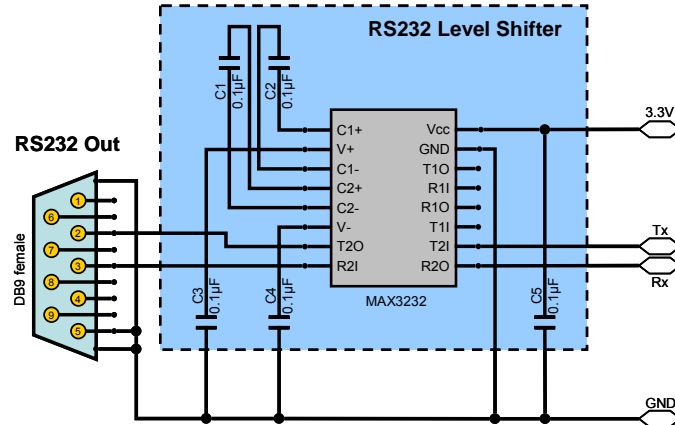


Figure 7: RS232 level shifter for minimum configurations

Remarks:

- Place C1 to C5 (here: 0.1µF) close to MAX3232. For capacity values see datasheet of actual component used.
- Use 3.3V level shifter (MAX3232 or equivalent).

## 3.2 Antennas

Generally, the quality of the GPS antenna chosen (passive or active) is of paramount importance for the overall sensitivity of the GPS system. Losses through a bad antenna, long cables or tracks or a bad antenna position can't be compensated afterwards!

### 3.2.1 Passive Antennas

Both modules support passive antennas directly via an on-module LNA. For passive antennas connected to pin 12 (ANT\_INT) special care should be taken on providing an according ground plane!

### 3.2.2 Active Antennas

The A1084-A supports active antennas directly, i.e. by offering an antenna voltage feed pin (VANT – pin 8) along with a signal path without LNA on the module (connecting point is ANT\_EXT – pin 9). If this connection is used, it is recommended to use an active antenna with a supply voltage of 3 to 5 VDC and a current draw of 50 mA maximum. The antenna should have a gain  $\geq 20$ dB and a noise figure  $\leq 1.5$ dB, which applies to more than 95% of the active antennas available in the market.

An active antenna connected to pin 12 (ANT\_INT) should follow the recommendations given in paragraph “8.2.1.2 On Internal / Passive Antenna Input (ANT\_INT)”. In addition, an external antenna voltage supply feed needs to be considered as outlined in paragraph “8.2.3 Active Antennas on ANT\_INT”.

## 3.3 Serial Port Settings

The default configuration within the standard GPS firmware is:

- Serial 0 (NMEA) 4800 baud, 8 data bits, no parity, 1 stop bit, no flow control

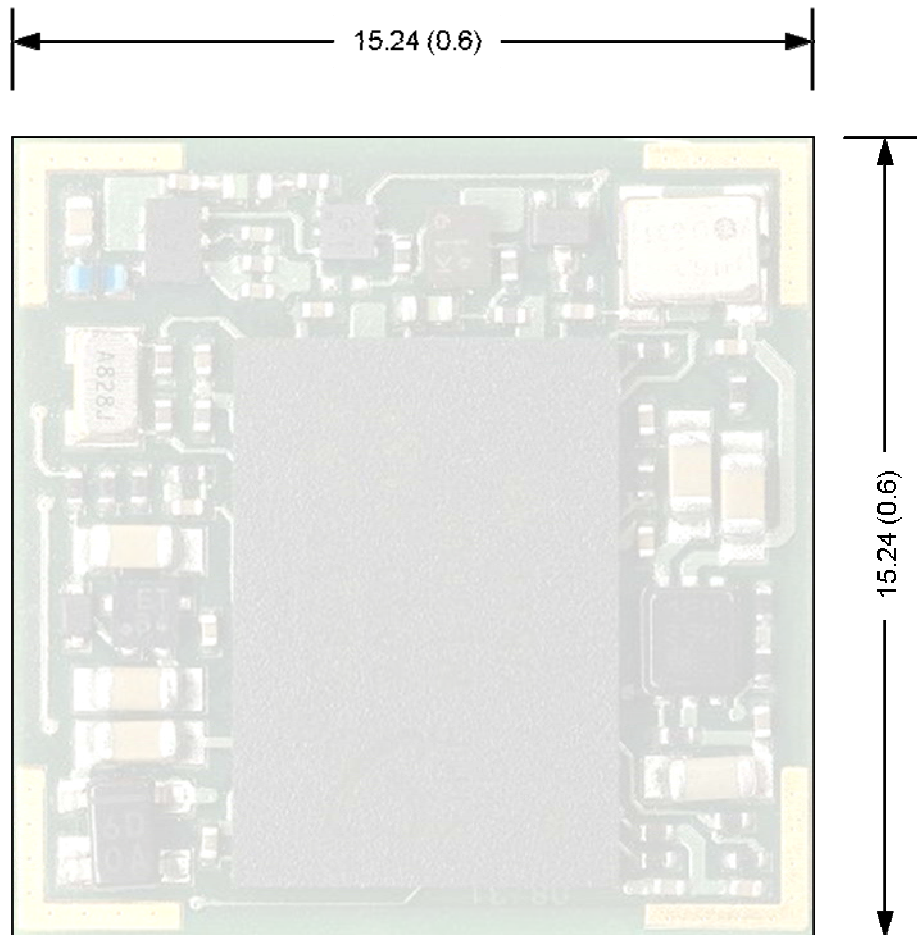
## 3.4 Improved TTFF

In order to improve the TTFF (Time To First Fix), it is recommended to support the RTC with a back-up power when no system power is available.

Furthermore, starting with FW revision 3.5.0 “Ephemeris Push” is supported. Please see according application note!

## 4 Mechanical Outline

### 4.1 Details Component Side A1084

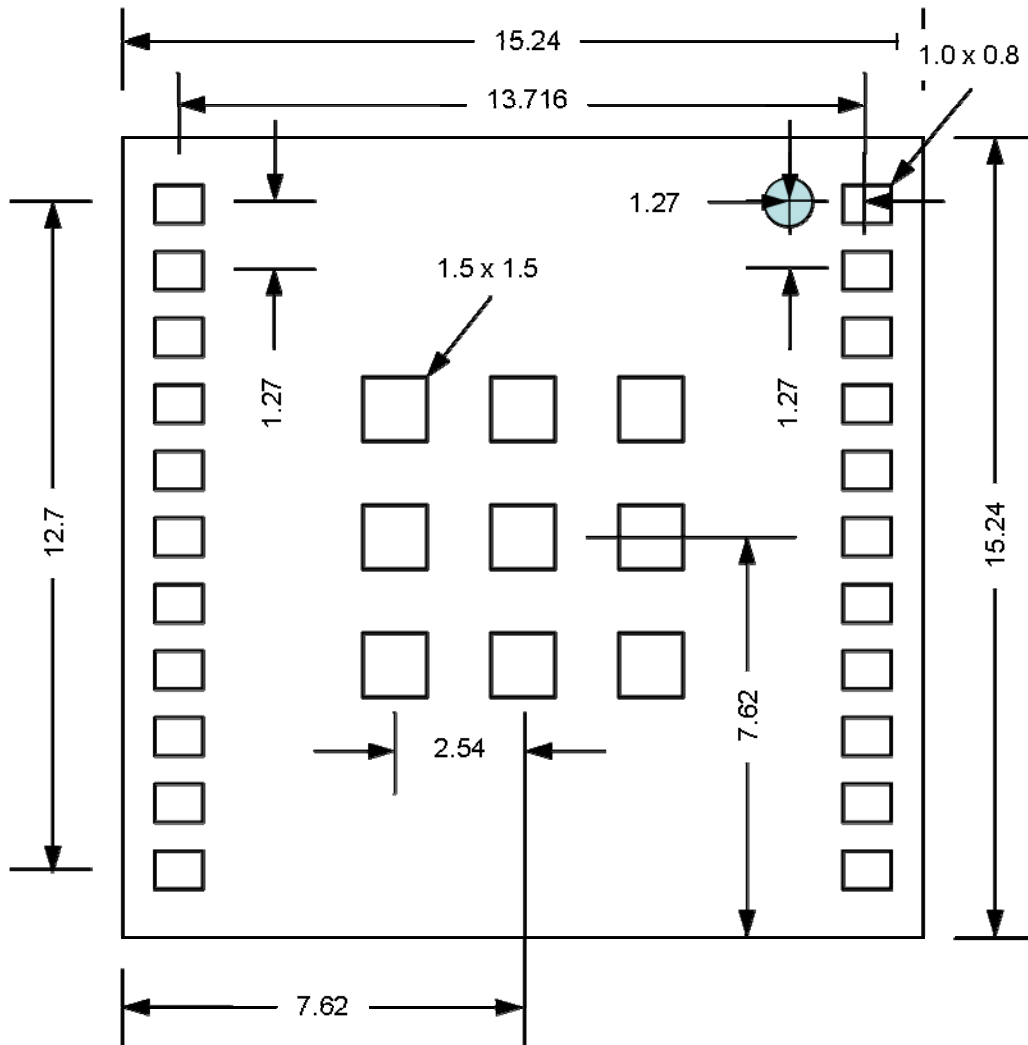


All dimensions in [mm, (inch)]

Figure 8: Mechanical outline component side A1084-A/B



## 4.2 Details Solder Side A1084



Solder pad size (outer pads): 1.0 x 0.8  
 Solder pad size (inner pads): 1.5 x 1.5  
 All dimensions in [mm]

Figure 9: Mechanical outline solder side A1084

## 5 Pin-out Information

### 5.1 Layout A1084

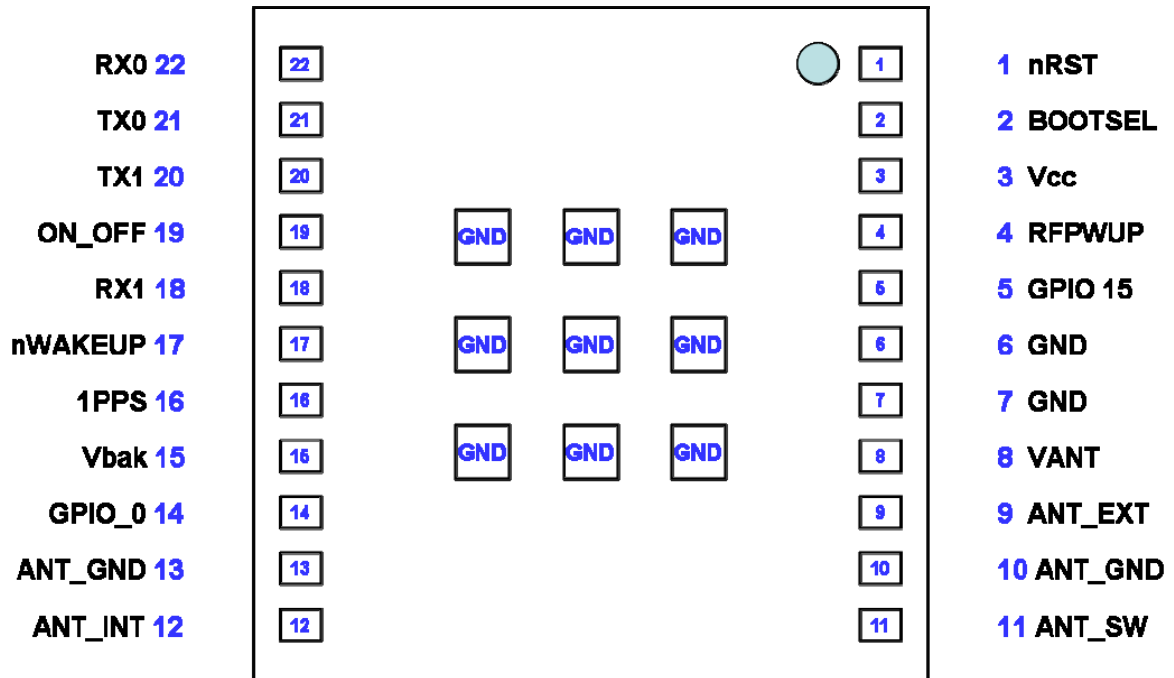



Figure 10: Pin-out information (bottom view) A1084

 pin one marker

## 5.2 Description A1084 Signals

### 5.2.1 Description A1084-A Signals

Pin	Symbol	Function	Description
1	nRST	Input	Reset input (open / HIGH – no reset, LOW - reset); see “10.5 Reset Signal”
2	BOOTSEL	Input	Special boot mode – leave open for normal operation; (HIGH – boot loader active)
3	Vcc	Power Supply	3.0 – 3.6 VDC (power supply)
4	RFPWUP	Output	Status of analog section (LOW = OFF, HIGH = ON) – can be used to switch external antenna supply (see also GPIO0 and schematics for evaluation board in chapter 8.2.1.2)
5	GPIO 15	Reserved	Reserved – leave open
6	GND	Power Supply	Ground (power supply)
7	GND	Power Supply	Ground (power supply)
8	VANT	Power supply	Power supply antenna – provide according voltage (up to 5.0 VDC) / <b>VANT feeds pin 9 ANT_EXT!!!</b>
9	ANT_EXT	Antenna Input	Antenna signal / Z=50 Ohm (external / active antenna input)
10	ANT_GND	RF GND	Antenna Ground, do not connect to GROUND, connect to antenna shield
11	ANT_SW	Input	Antenna switch LOW or Open = internal / passive antenna, pin12 (ANT_INT) input HIGH = external / active antenna, pin 9 (ANT_EXT)
12	ANT_INT	Antenna Input	Antenna signal / Z=50 Ohm (internal / passive antenna input) <b>See Note (1), (2)</b>
13	ANT_GND	RF GND	Antenna Ground, do not connect to GROUND, connect to antenna shield
14	GPIO 0	Output	Antenna supply status – if LOW external antenna supply voltage can be switched off (this is not done internally!)
15	Vbak	Power Supply	Back-up pin of module for “super cap” or battery (see below)
16	1PPS	Output	1PPS (pulse per second) output
17	nWAKEUP	Output	Status of digital section (Low = ON, High = OFF) Open Drain with internal pull-up (100k), can not source current!
18	RX1	Input	Serial input 1 – unused in current firmware (leave open)
19	ON_OFF	Input	-ON_OFF, used in PTF mode to request a fix by toggling from LOW to HIGH -ON_OFF, used to switch to hibernate mode and back -leave open if not used
20	TX1	Output	Serial output 1 – unused in current firmware (leave open)
21	TX0	Output	Serial output 0, NMEA out
22	RX0	Input	Serial input 0, NMEA in

Table 5: Pin description A1084-A

## 5.2.2 Description A1084-B Signals

Pin	Symbol	Function	Description
1	nRST	Input	Reset input (open / HIGH – no reset, LOW - reset); see “10.5 Reset Signal”
2	BOOTSEL	Input	Special boot mode – leave open for normal operation; (HIGH – boot loader active)
3	Vcc	Power Supply	3.0 – 3.6 VDC (power supply)
4	RFPWUP	Output	Status of analog section (LOW = OFF, HIGH = ON) – can be used to switch external antenna supply (see also GPIO0 and schematics for evaluation board in chapter 8.2.1.2)
5	GPIO 15	Reserved	Reserved – leave open
6	GND	Power Supply	Ground (power supply)
7	GND	Power Supply	Ground (power supply)
8	VANT	Power supply	<b>Do not connect</b>
9	ANT_EXT	Antenna Input	<b>Do not connect</b>
10	ANT_GND	RF GND	Antenna Ground, do not connect to GROUND, connect to antenna shield
11	ANT_SW	Input	<b>Do not connect</b>
12	ANT_INT	Antenna Input	Antenna signal / Z=50 Ohm (internal / passive antenna input) <b>-A and -B version / see Note (1), (2)</b>
13	ANT_GND	RF GND	Antenna Ground, do not connect to GROUND, connect to antenna shield
14	GPIO 0	Output	Antenna supply status – if LOW external antenna supply voltage can be switched off (this is not done internally!)
15	Vbak	Power Supply	Back-up pin of module for “super cap” or battery (see below)
16	1PPS	Output	1PPS (pulse per second) output
17	nWAKEUP	Output	Status of digital section (Low = ON, High = OFF) Open Drain with internal pull-up (100k), can not source current!
18	RX1	Input	Serial input 1 – unused in current firmware (leave open)
19	ON_OFF	Input	-ON_OFF, used in PTF mode to request a fix by toggling from LOW to HIGH -ON_OFF, used to switch to hibernate mode and back -leave open if not used
20	TX1	Output	Serial output 1 – unused in current firmware (leave open)
21	TX0	Output	Serial output 0, NMEA out
22	RX0	Input	Serial input 0, NMEA in

Table 6: Pin description A1084-B

**Note (1):**

In the event that an active antenna is connected to pin 12, ANT\_INT the antenna supply voltage has to be fed separately (see chapter “8.2.3 Active Antennas on ANT\_INT”).

**Note (2):**

An active antenna connected to pin 12, ANT\_INT must not exceed a gain of 10dB + antenna cable loss according to SIRF recommendation (see chapter “8.2.3 Active Antennas on ANT\_INT”).

### 5.3 General Comments

The following comments should be considered for a design using either the A1084-A or A1084-B module:

- Standard configuration of serial port (standard GPS software):  
Serial 0 (NMEA) 4800 baud, 8 data bits, no parity, 1 stop bit, no flow control
- Antenna (antenna connected to antenna pin)  
Use ground pins (pin 10, pin 13) close to the antenna input for RF ground.

## 6 Electrical Characteristics

### 6.1 Operating Conditions

Pin	Description	Min	Typical	Max
15	V <sub>bak</sub>	1.8V		3.6V
	Standby Current <sup>(4)</sup>		20µA	
3	V <sub>cc</sub>	3.0V	3.3V	3.6V
	Peak Acquisition Current <sup>(1)</sup>		35mA	
	Average Acquisition Current <sup>(2)</sup>		31mA	
	Tracking Current <sup>(3)</sup>		26mA	

Table 7: A1084 electrical characteristics

- (1) Peak acquisition current is characterized by millisecond bursts above average acquisition current
- (2) Average current is typically only the first two seconds of TTFF
- (3) Tracking current typically includes tracking and the post acquisition portion of TTFF
- (4) During standby state: RTC block and core powered on and clock off.

### 6.2 Absolute Maximum Ratings

Symbol	Parameter	Min	Max	Unit
V <sub>cc</sub>	Power supply	-0.3	+3.6	V
V <sub>in</sub>	Voltage to any pin	-0.3	+3.6	V
I <sub>ov</sub>	Input current on any pin	-10	10	mA
I <sub>tdv</sub>	Absolute sum of all input currents during overload condition		200	mA
T <sub>st</sub>	Storage temperature	-40	85	°C
V <sub>ant</sub>	Antenna supply voltage	0	5.5	V
I <sub>ant</sub>	Antenna supply current	0	50	mA

Table 8: Absolute maximum ratings

Stresses beyond those listed under “Absolute Maximum Ratings” may cause permanent damage to the device. This is a stress rating only. Functional operation of the device at these or any other conditions beyond those indicated in the operational sections of this specification is not implied. Exposure to absolute maximum rating conditions for extended periods may affect device reliability.

### 6.3 DC Electrical Characteristics

Symbol	Parameter	Min	Max	Unit
1PPS, TX1, TX0, RFPWUP, nWAKEUP, GPIO 0	Voh	2.6	Vcc	V
	Vol		0.2	V
RX1, RX0	Vih	2.0	Vcc	V
	Vil		0.8	V
nRST	for safe reset		0.2	V
ON_OFF	Vih	0.84	1.5	V
	Vil	-0.3	0.36	V
BOOTSEL	Vih	2.3	Vcc	V
ANT_SW	Vih	2.0		V
	Vil		0.2	V

Table 9: DC electrical characteristic

## 7 Mounting

This chapter describes the suggested mounting process for the A1084-A and A1084-B receiver modules. In a RoHS compliant product with a RoHS compliant process it is recommended to use chemical tin as the counter-part to the module's pins. This will guarantee highest resistance against shocks.

### 7.1 Proposed Footprint for Soldering

Following soldering footprint parameters are recommended:

- Copper and solder paste footprint are identical
- Pad-shape / -size, inner pads: 1.5 mm x 1.5 mm
- Pad-shape / -size, outer pads : 1.0 mm x 0.8 mm
- Stencil thickness of 120 – 150 µm

### 7.2 Recommended Profile for Reflow Soldering

Typical values for reflow soldering of the module in convection or IR/convection ovens are as follows (according to IPC/JEDEC J-STD-020D):

Parameter	Value
Peak temperature (RoHS compliant process)	245°C
Average ramp up rate to peak (217°C to Peak)	3°C / second max.
Preheat temperature	min=150°C; max=200°C
Ramp up time from min. to max. preheat temperature	60 ... 120 seconds
Temperature maintained above 217°C	60 ... 150 seconds
Time within 5°C of actual peak temperature	30 seconds
Ramp down rate	6°C / second max.
Time 25°C to peak temperature	8 minutes max.

Table 10: Reflow soldering profile A1084

The solder pads hold solder of a thickness of about 150 µm for improved solder process results.

As results of soldering may vary among different soldering systems and types of solder and depend on additional factors like density and types of components on board, the values above should be considered as a starting point for further optimization.



## 8 Use of GPS Antennas

### 8.1 Connecting a GPS antenna to the GPS receiver

The ANT\_EXT or ANT\_INT pin is used to connect a GPS antenna to the receiver. The design of the antenna connection has to be done strictly according to RF design rules. A 50Ω PCB strip line is required. The following drawings shall explain the guidelines. A major rule is to keep the strip line as short as possible. Additionally, antenna ground (ANT\_GND) should be routed to the ground plane of the PCB (the ground plane is on a lower PCB layer) by vias as demonstrated in the drawing.

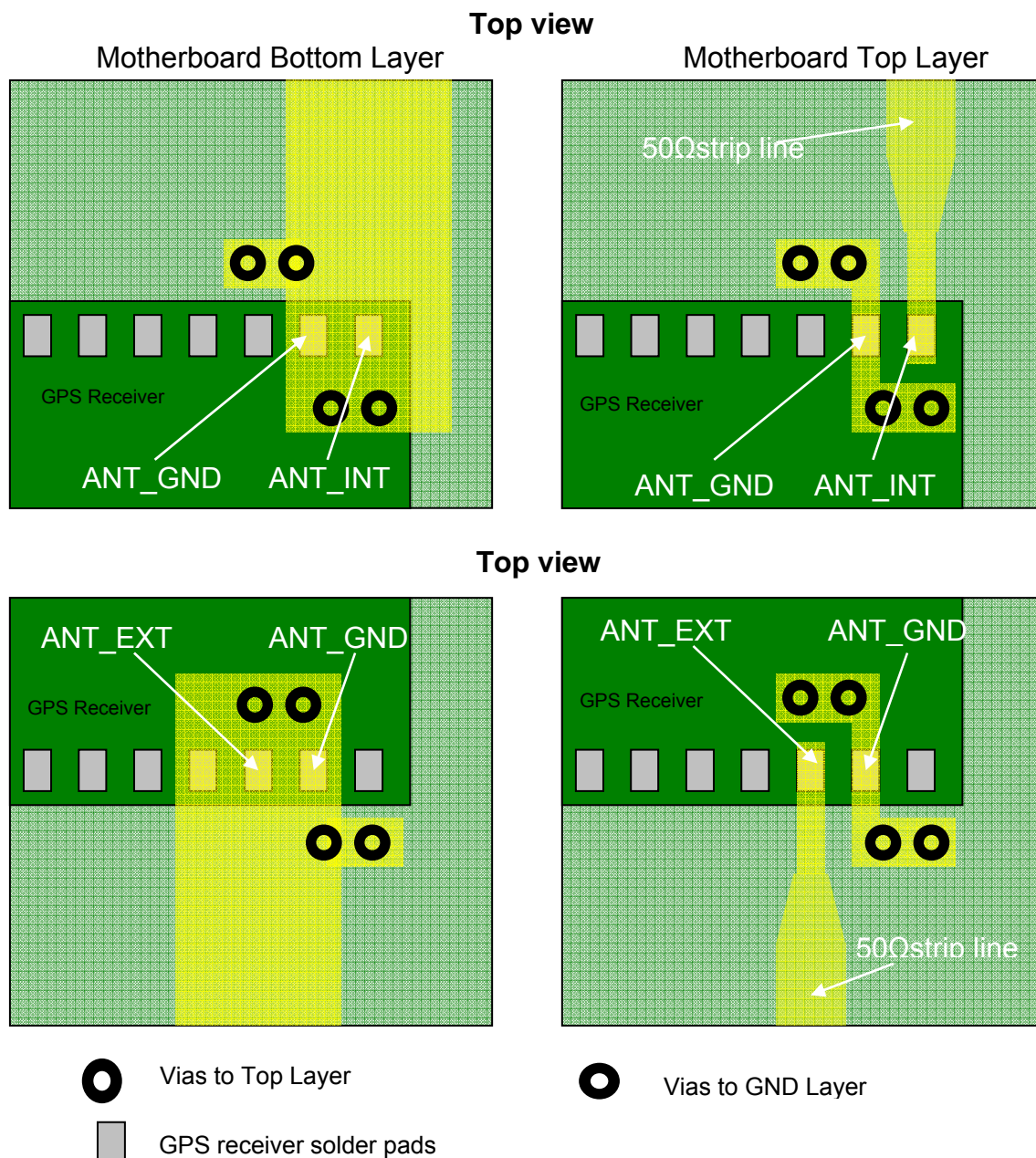


Figure 11: Antenna connector strip line A1084

In order to achieve the impedance of  $50\ \Omega$ , the width of the strip line needs to be calculated. It depends on the thickness or height of the PCB layer (both parameters are shown in following drawing). For the calculation, it is assumed that the PCB material is FR4.

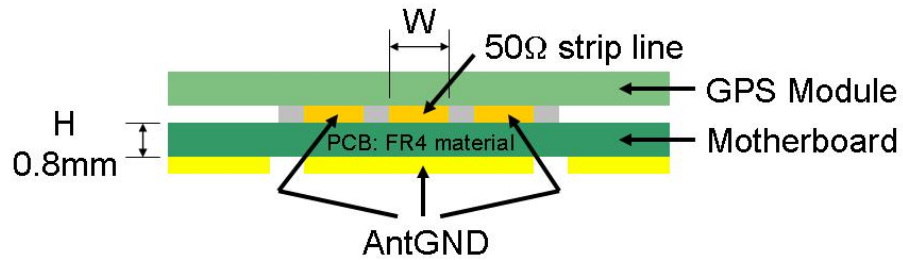


Figure 12: Strip line parameters A1084

In this case, the width should be about 1.8 times the height of the PCB:

$$W = 1.8 \times H$$

In the example, one would get a width of  $W = 1.8 \times 0.8\ \text{mm} = 1.44\ \text{mm}$ .

## 8.2 Antenna Connections

### 8.2.1 Active Antennas

#### 8.2.1.1 On External / Active Antenna Input (ANT\_EXT)

General GPS active antenna specification:

Limitations:

- Supply voltage (voltage fed into VANT pin) 5V (max.)
- Supply current 50mA (max.)

Recommendations:

- Gain  $\geq 20\text{dB}$  (should not exceed  $26\text{dB} + \text{cable loss}$ )
- Noise figure  $\leq 1.5\text{dB}$

The recommendations apply to the majority of active antennas that can be found in the market. Anyhow, the quality of the GPS antenna chosen is of paramount importance for the overall sensitivity of the GPS system.

The system design needs to reflect the supply voltage of the antenna. If the supply voltage is equal to  $V_{cc}$ ,  $V_{cc}$  can be connected to VANT. If the antenna requires a different supply voltage, the antenna bias can be provided through the VANT pin.

Please see also “Figure 13: Antenna supply voltage for ANT\_INT” on how to realize a circuit for switching of the antenna power supply.

### 8.2.1.2 On Internal / Passive Antenna Input (ANT\_INT)

This schematic is a part of the EVA1084-A (Evaluation Kit) schematics. It shows how an antenna supply voltage can be fed to an active antenna connected to ANT\_INT and how the antenna supply voltage can be switched on and off by RFPWUP.

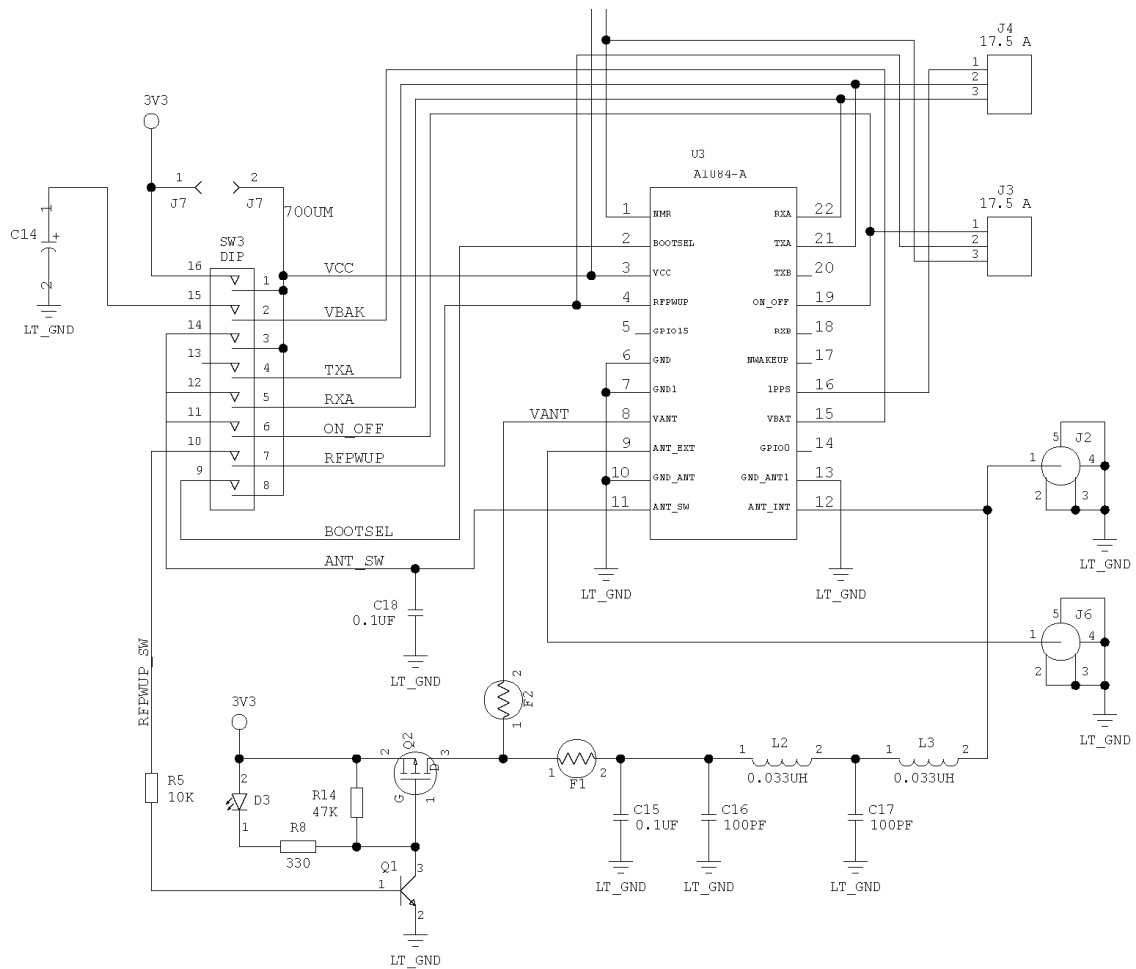


Figure 13: Antenna supply voltage for ANT\_INT and antenna supply switch

An active antenna connected to pin 12, ANT\_INT must not exceed a gain of 10dB + antenna cable loss according to SIRF recommendation. Exceeding this gain recommendation should be tested case by case.

### 8.2.2 Passive Antennas

A passive antenna connected to **ANT\_INT** should be placed as close as possible to the GPS receiver. The signal power lost by the antenna cable or lost by the strip line on the PCB can not be recovered by the LNA (Low Noise Amplifier) integrated in the GPS receiver.

A suitable Ground-Plane design should be considered depending on the antenna type connected to **ANT\_INT**.

### 8.2.3 Active Antennas on ANT\_INT

If an active antenna needs to be used on the passive antenna input (**ANT\_INT**), the supply voltages needs to be fed separately.

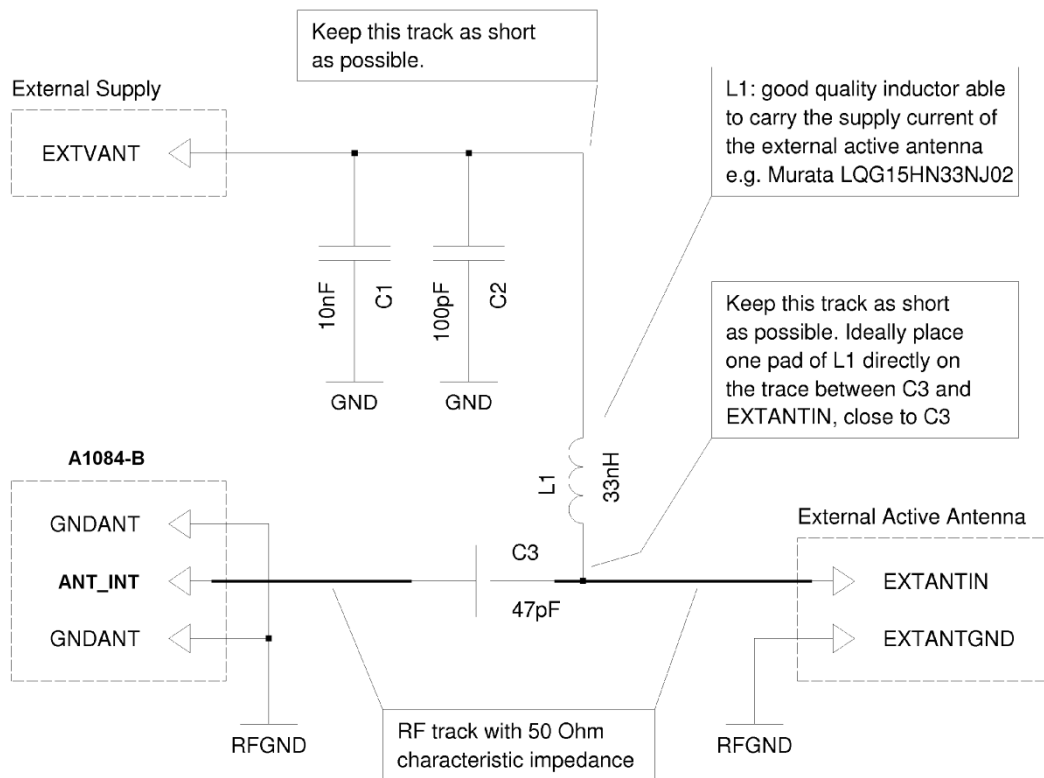


Figure 14: External power supply for active antenna

### 8.2.4 Hints

Unused antenna inputs should be terminated with  $50 \Omega \pm 20\%$ . Do not feed antenna supply voltage into terminated antenna inputs.

## 9 Quality and Reliability

### 9.1 Environmental Conditions

Operating temperature	-40°C ... +85°C
Operating humidity	Max. 85% r. H., non-condensing, at 85°C
MSL JEDEC (Moisture Sensitivity Level)	3
Storage	6 months in original package

Table 6: Environmental conditions

### 9.2 Product Qualification

Prior to product qualification the GPS receiver is preconditioned according to EIA/JEDEC standard JESD22-A113-B / Level 3.

Basic qualification tests:

- Temperature Cycling –40°C ... +85°C
- Temperature Humidity Bias 70°C / 85% RH
- Low / High Temperature Operating –40°C / +85°C
- High Temperature Operating Life +85°C
- Vibration Variable Frequency
- Mechanical Shock

Please contact Maestro for detailed information.

### 9.3 Production Test

Each module is electrically tested prior to packing and shipping to ensure state of the art GPS receiver performance and accuracy.

## 10 Applications and Hints

### 10.1 Minimum Configuration

Please refer to chapter “3.1 Minimum Configuration” for details. In addition, for optimized start-up behavior it is strongly recommended to continuously supply Vcc and use ON\_OFF pin to go to hibernate mode or to use the shutdown command and add a battery back-up circuit (see chapter “10.6 Battery Back-up”) when switching off Vcc.

### 10.2 Antenna Status Adaptation

This chapter shall give assistance in designing a circuit for detecting if an antenna is connected to the module. The information about the antenna status can be derived from the ANTSTAT signal generated by this circuit. The examples use values for components that roughly result in the following ANTSTAT output:

- Logic low when:  $I_{ant} < 9\text{mA}$
- Logic high when:  $9\text{mA} > I_{ant} < 16\text{mA}$
- Logic low when:  $I_{ant} > 16\text{mA}$

#### 10.2.1 Antenna Sensor

The following circuit is a proposal on how you can feed an antenna with 3.3V and provide an output for the ANTSTAT pin. The value of the components may need an adaptation in the final application. For example, the input current of the chosen comparator goes into that equation. The thresholds defined in this circuit are quite close to the ones described above. Their value is determined by resistors R4, R5, and R3.

We strongly recommend simulating and testing the GPS receiver integrated in your product design before implementing the finalized product in the appropriate market application.

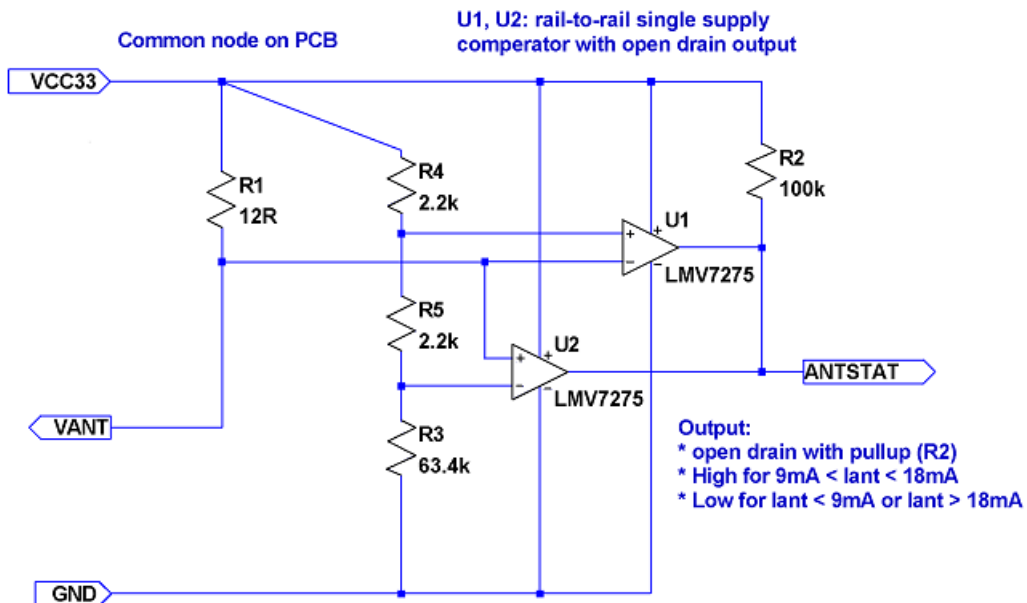


Figure 15: Application note: Antenna sensor adaptation

### 10.2.2 Antenna Sensor with Current Limiter

This proposal is similar to the first one, but includes a current limiter. Comments and notes as above apply.

We strongly recommend simulating and testing the GPS receiver integrated in your product design before implementing the finalized product in the appropriate market application. In any case it is the responsibility of the designer to test and verify the implementation.

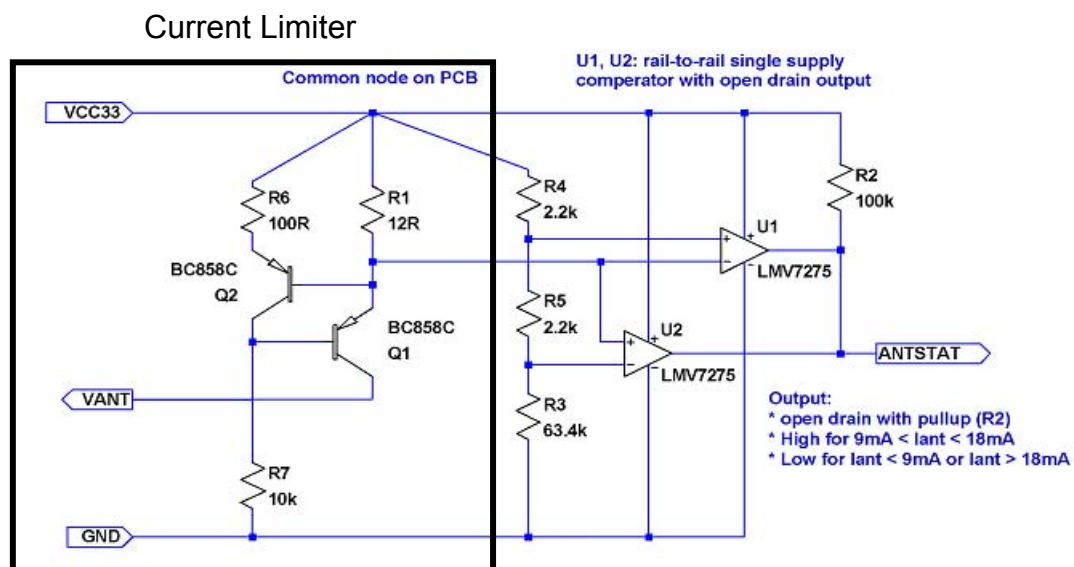


Figure 16: Application note: Antenna sensor adaptation with current limiter



### 10.3 VANT Pin (antenna voltage input pin)

The VANT pin is an input pin.

The supply voltage for an active GPS antenna on the ANT\_EXT input has to be fed into the Vant pin. The easiest way to do that is to connect Vcc to VANT. The maximum current is 50 mA.

**Note:** Shortcut between ANT and GND may damage the A1084-A/-B GPS receiver module. This should be avoided by using an antenna current limiter.

The circuit (chapter “10.2.2 Antenna Sensor with Current Limiter”) works for Vcc from 3V to 5V. The antenna current will be limited to 50 mA approximately.

If other transistors are used, other resistor values may be necessary as well. We strongly recommend simulating and testing your realized version before using it.

### 10.4 1PPS Pin (1 pulse per second pin)

The 1PPS pin is an output pin.

In addition to precise positioning, GPS also allows for accurate timing due to the synchronized atomic clocks in the GPS satellites. While the current date and time is transmitted in NMEA sentences (UTC), an exact and accurate timing signal is provided via the 1PPS pin of the A1084 GPS receiver.

Under good signal conditions the 1PPS signal comes between 620ns and 710ns after the full GPS system second which is accurately (around 10ns) synchronized to UTC. Therefore the 1 second clock can be derived and maintained within around 90ns under good signal conditions.

**Note:** The 1PPS clock accuracy directly depends on the position accuracy! The GPS signals travel at the speed of light, therefore a position inaccuracy directly translates into 1PPS inaccuracies.

10 m position deviation  $\approx$  33 ns 1PPS deviation (typically)

100 m position deviation  $\approx$  333 ns 1PPS deviation (typically)

The NMEA messages containing absolute timing information (UTC time) are provided around 300 ms after the 1PPS signal, typically. This may change according to the setup of the GPS receiver.

The 1PPS signal is provided on an “as is” basis with no accuracy specification. The given values are based on a 10 satellite, static GPS simulator scenario.

## 10.5 Reset Signal

The nRST pin is an input pin.

The nRST pin can be used to generate a reset on the A1084-A/-B module. Resetting the module will result in a restart of the complete firmware. All information stored in SRAM will still be valid.

### 10.5.1 Internal Reset Circuit

The A1084 is already equipped with a voltage monitoring device that generates a proper power-on reset at the appropriate threshold and delay. Additionally it takes care about the brown-out protection. Usually there is no need to deal with the reset input externally, thus the general advice is to leave this pin open.

### 10.5.2 External Reset Circuit

If – for some reasons – an external reset input is really desired, the following instructions are recommended:

Only use an open drain/collector device (e.g. a bipolar NPN transistor to ground, see below) to pull the nRST pin low in order to issue a reset.

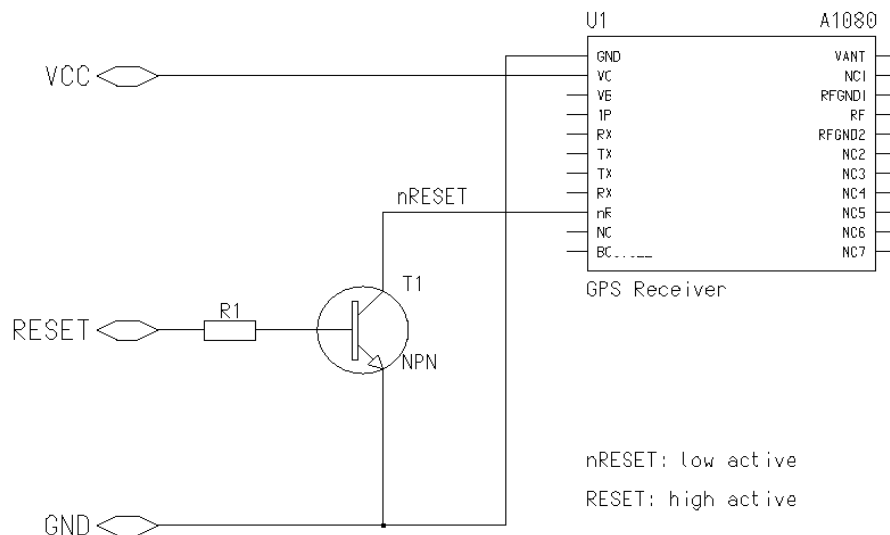
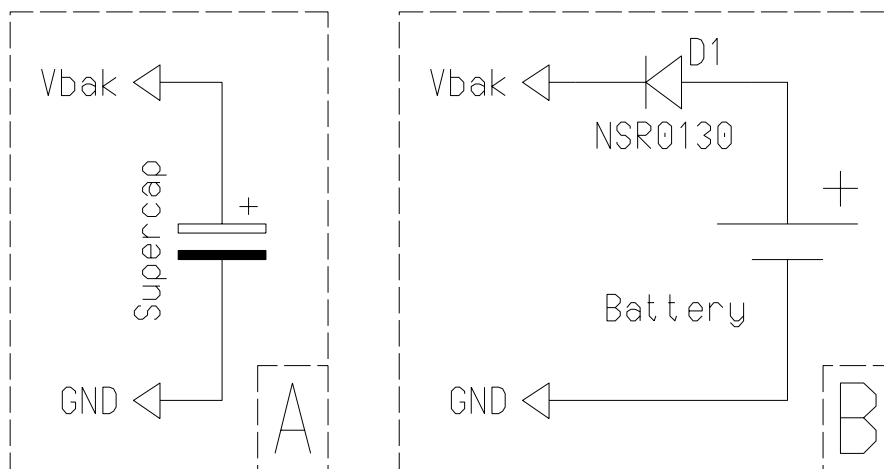


Figure 17: Application note: Recommended external reset circuit

## 10.6 Battery Back-up

This application note describes how to back-up the RTC and the SRAM of the GPS receiver module. The basics of the first example addresses providing a back-up power supply by using a separate battery or a “Supercap”.

While the “Supercap” is charged thru the module during normal operation, the battery (primary cell) is decoupled thru a diode!



Backup Supply Options  
 (A) Supercap, charged through GPS module  
 (B) Primary cell, decoupled with diode

Figure 18: Application note: Module back-up

An alternative to this solution is to switch the supply voltage from the Vcc pin to the Vbak pin. Care needs to be taken that there is no voltage outage during the switch-over phase!

The Vbak pin draws 20  $\mu$ A typically.

## 10.7 Push-to-Fix Mode

Push-to-Fix mode is designed for the application that requires infrequent position reporting. The receiver generally stays in a low-power mode, up to 2 hours, but wakes up periodically to refresh position, time, ephemeris data and RTC calibration.

The push-to-fix mode is initialized and entered using the SiRF Binary Protocol. Please refer to the appropriate manual, paying particular attention to the paragraph titled “Set TricklePower Parameters”. In order to request a fix outside the specified duty cycles, it is necessary to toggle the pin ON\_OFF. Toggling is done by pulling the signal to HIGH for about 100ms.

For more information see “GPS AppNote Firmware GSC3”.

## 10.8 Hibernate Mode

The two ways as described within this paragraph to send a module into Hibernate Mode should be implemented in order to avoid loss of data which might in rare cases lead to a cold start of the module.

### 10.8.1 Entering Hibernate Mode with ON\_OFF Pin

From firmware version 3.2.5, firmware support for ON\_OFF has been included, hence, a rising pulse on the ON\_OFF pin will put the A1084 GPS receiver into hibernate state if it is on and wake it up if it is in sleep state. During sleep state the receiver draws 20  $\mu$ A typically and maintains RTC and SRAM. Here Vcc must not be switched off. See also “Figure 5: Minimum configuration A1084-A with continued Vcc supply”. Therefore this method can be used for configurations where no additional Vbak is available.

### 10.8.2 Entering Hibernate Mode with Shutdown Command

When a separate Vbak supply is foreseen, an alternative method to enter Hibernate Mode is by sending a shutdown command. From firmware version 3.5.0 onwards this is possible using the command

```
$PSRF117,16*0B
```

In NMEA mode as described in the manual “GPS Firmware GSC3 3.5.0”. In SiRF Binary mode the according command can be found in the “SiRF Binary Reference Manual” – Software Commanded Off – Message ID 205. After a delay of about 2 s or after the signal RFPWUP went LOW Vcc can be disconnected. The RTC will keep on running and SRAM is backed with the typical current of 20  $\mu$ A drawn from Vbak. See also “Figure 6: Minimum configuration A1084-A with Vbak”.

## 11 Evaluation Kit EVA1084-A

For demonstration and easy evaluation of GPS performance Maestro offers an evaluation kit (including one GPS A1084-A module). It contains a USB interface with according drivers to connect easily to a PC. The USB interface is an extension of the serial port 0, therefore sending NMEA sentences and accepting commands. At the same time it provides power to the module. Accompanied by an antenna it offers a ready-to-go set.

For the development of new software and applications the Evaluation Kit also provides NMEA messages on CMOS level via a terminal plug.

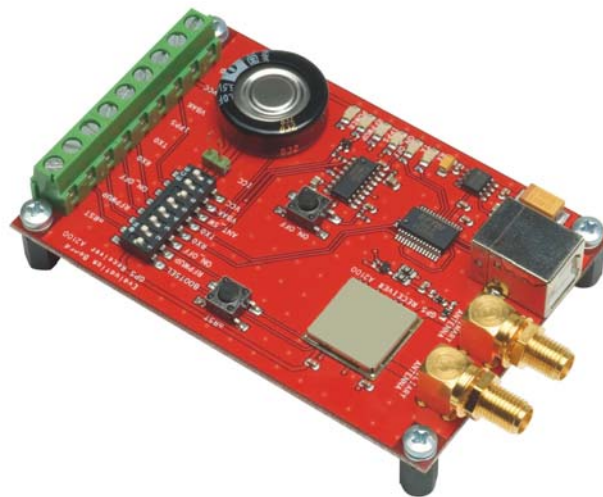


Figure 19: Evaluation kit EVA1084-A

For further information please contact Maestro.

## 12 Related Information

### 12.1 Contact

This manual was created with due diligence. We hope that it will be helpful to the user to get the most out of the GPS module.

Inputs regarding errors or mistaken verbalizations and comments or proposals to Maestro, Hongkong, for further improvements are highly appreciated.

#### **Maestro Wireless Solutions Limited**

Add: Unit 3603-09, 36/F.,  
118 Connaught Road West, HK

Main Line: (852) 28690688

Fax: (852) 25254701

[support-gps@maestro-wireless.com](mailto:support-gps@maestro-wireless.com)

[www.maestro-wireless.com](http://www.maestro-wireless.com)

### 12.2 Related Documents

- GPS Firmware GSC3 (Maestro)
- GPS Evaluation Kit EVA1084-A (Maestro)
- SiRF\_Binary\_Reference\_Manual (SiRF)
- SiRF\_NMEA\_Reference\_Manual (SiRF)
- GPS AppNote Firmware GSC3 (Maestro)
- GPS AppNote Ephemeris Push GSC3 (Maestro)
- GPS AppNote Backup GSC3 (Maestro)
- GPS AppNote EDLC-Backup GSC3 (Maestro)
- GPS AppNote 1PPS Pulse Width GSC3 (Maestro)

### 12.3 Related Tools

- GPS Cockpit (Maestro)
- SiRF Demo (SiRF)
- SiRF Flash (SiRF)

## 13 List of Figures

Figure 1: A1084-A label .....	7
Figure 2: A1084 tape specifications (1).....	9
Figure 3: A1084 tape specifications (2).....	10
Figure 4: A1084 tape specifications (3).....	10
Figure 5: Minimum configuration A1084-A with continued Vcc supply .....	12
Figure 6: Minimum configuration A1084-A with Vbak.....	13
Figure 7: RS232 level shifter for minimum configurations .....	14
Figure 8: Mechanical outline component side A1084-A/-B.....	16
Figure 9: Mechanical outline solder side A1084.....	17
Figure 10: Pin-out information (bottom view) A1084 .....	18
Figure 11: Antenna connector strip line A1084 .....	25
Figure 12: Strip line parameters A1084.....	26
Figure 13: Antenna supply voltage for ANT_INT and antenna supply switch.....	28
Figure 14: External power supply for active antenna .....	29
Figure 15: Application note: Antenna sensor adaptation.....	32
Figure 16: Application note: Antenna sensor adaptation with current limiter.....	32
Figure 17: Application note: Recommended external reset circuit .....	34
Figure 18: Application note: Module back-up .....	35
Figure 19: Evaluation kit EVA1084-A.....	37

## 14 List of Tables

Table 1: A1084 antenna support.....	6
Table 2: A1084 GPS characteristics .....	8
Table 3: A1084 dimensions and weight .....	8
Table 4: Additional equipment.....	11
Table 5: Pin description A1084-A.....	19
Table 6: Pin description A1084-B.....	20
Table 7: A1084 electrical characteristics.....	22
Table 8: Absolute maximum ratings.....	22
Table 9: DC electrical characteristic.....	23
Table 10: Reflow soldering profile A1084.....	24