



Shanghai Green Tech Co.,Ltd.

(GT Confidential)

❖ Features

- Small size,large capacitance
- Long life,maintenance free
- Wider operating temperature(-40~+70℃) than battery

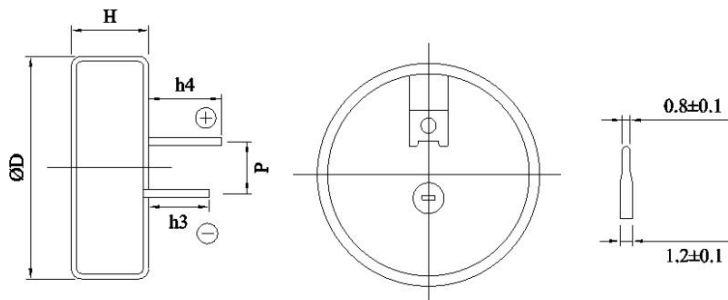
❖ Application

- Memory back-up power for Smart e-meter,Smart water meter,Video,Printer,Cameras,
- Car stereo audio,Rice cooker,Electronic toy,Computer Camcorder etc.

❖ General Characteristics

Items	Criteria
Rated voltage(V)	5.5V
Rated discharge capacitance	0.22F
Capacitance tolerance	-20%~+80%
Max. work voltage	6.0V
ESR Max (Ω) AC@1KHz	65Ω
Work temperature range	-40℃~+70℃
Storage temperature range	-40℃~+85℃
Max. Stored energy (mWh)	1.39
Nominal current (A)	0.014
Max. Leakage current after 24hrs @RT (μA)	5
Low temperature (-25℃)	ΔC/C ≤50%, ESR ≤5 times specified value
Endurance	After 1000hrs application of rated voltage(DC) at 70℃, ΔC/C ≤30%, ESR ≤4 times specified value
Shelf life	After 1000hrs storage without load at 70℃, ΔC/C ≤30%, ESR ≤4 times specified value

❖ Product Dimensions



Type C

Size:

Items	Criteria	Items	Criteria
ΦD	13.0±1.0 mm	H	7.0±0.6mm
P	5.0±1.0 mm	h3	5.5±1.0 mm
h4	6.5±1.0 mm	weight	3.2g

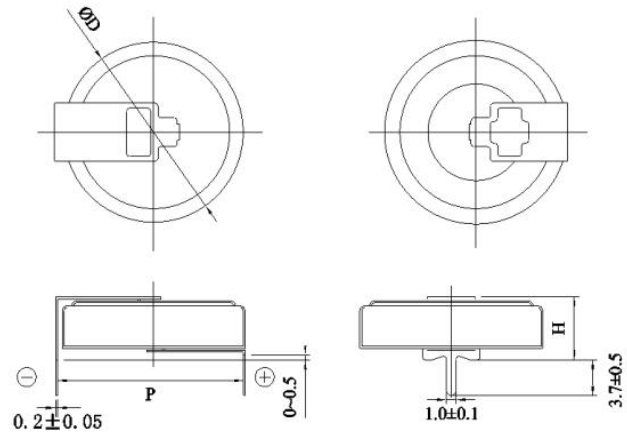
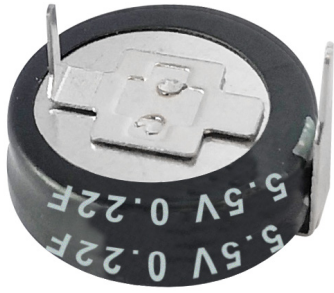
Packing:

Part Number	Quantity (pcs)		Dimension (LxWxH) mm		Total weight (kg)
	Inner	Outer	Inner	Outer	
GTSE-5R5-224ZC	900	3600	331×228×117	485×355×265	15.0



Super Capacitor
GTSE-5R5-224ZC/H/V

SE series



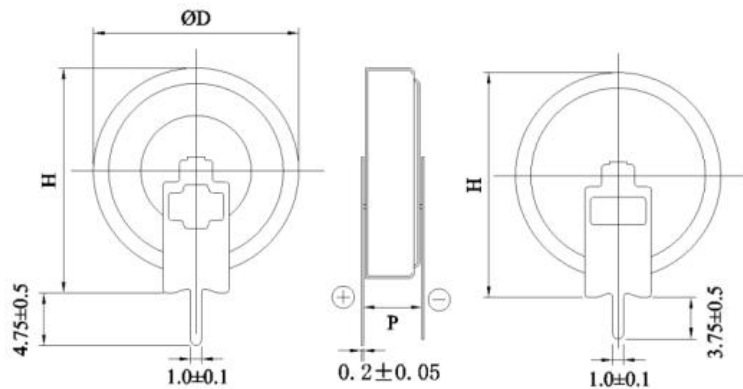
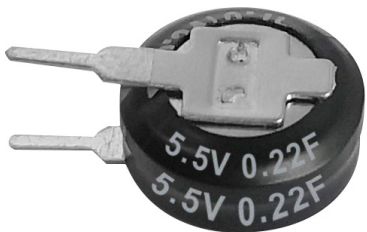
Type H

Size:

Items	Criteria	Items	Criteria
ΦD	9.5±1.0 mm	H	4.5±0.5mm
P	10±0.5mm	weight	1.4g

Packing:

Part Number	Quantity (pcs)		Dimension (LxWxH) mm		Total weight (kg)
	Inner	Outer	Inner	Outer	
GTSE-5R5-224ZH	1200	4800	331×228×117	485×355×265	8.0



Type V

Size:

Items	Criteria	Items	Criteria
ΦD	9.5±1.0 mm	H	12.5±1.0 mm
P	5.0±0.5 mm	weight	1.4g

Packing:

Part Number	Quantity (pcs)		Dimension (LxWxH) mm		Total weight (kg)
	Inner	Outer	Inner	Outer	
GTSE-5R5-224ZV	3000	12000	331×228×117	485×355×265	17.0