

CUSTOMER	PART No.	Serial No.	Page	REV.
	HAD-U3-27-44-91-1			

1. SCOPE

This specification is applied to the piezoelectric diaphragm.

2. MODEL No. : HAD-U3-27-44-91-1

3. SPECIFICATIONS (at 25°C)

- 1. Resonant Frequency :  $4.4 \pm 0.5$  Hz
- 2. Resonant Resistance : 350  $\Omega$  max.
- 3. Capacitance : 16,000pF  $\pm 30\%$  at 120Hz
- 4. Input Voltage : 30 Vp-p max.
- 5. Operating Temperature : -20 ~ +60 °C
- 6. Storage Temperature : -20 ~ +70 °C
- 7. Dimension : as per Figure 1.

- ① Piezoelectric ceramics
- ② Brass Plate

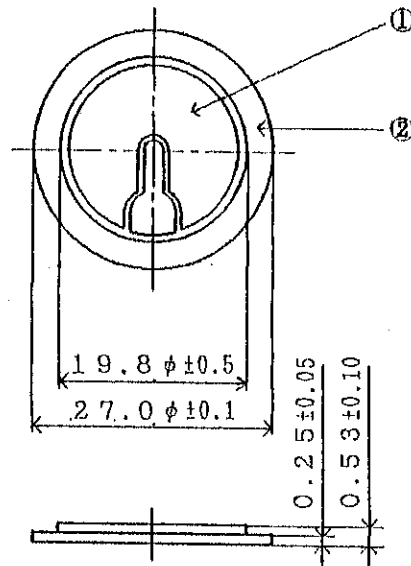


Figure 1.

Approved	Checked	Issued	REV.	DATE	CONTENT
S. Tanikawa	T. Yamasita	<i>J. Ozeki</i> 99.9.20			

HOKURIKU ELECTRIC INDUSTRY CO., LTD.