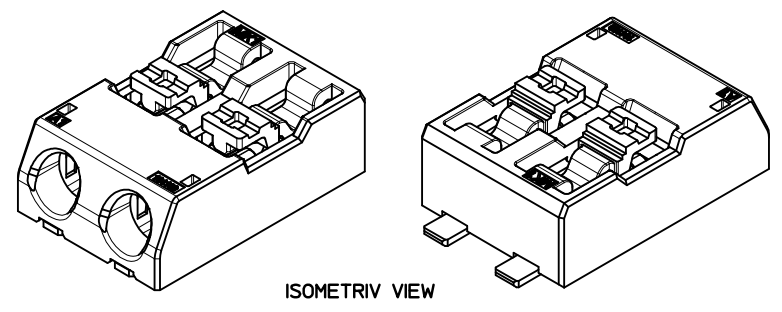
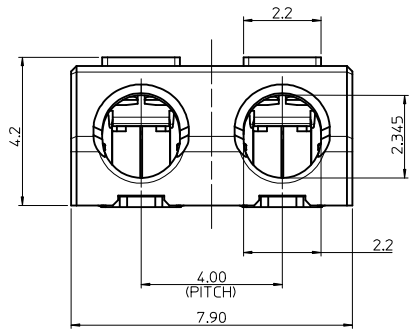
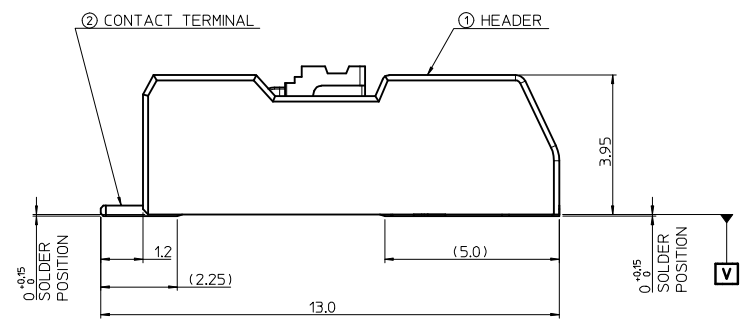
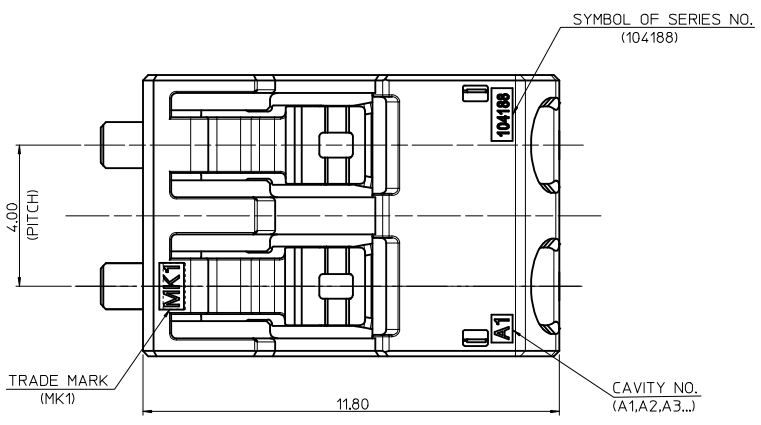
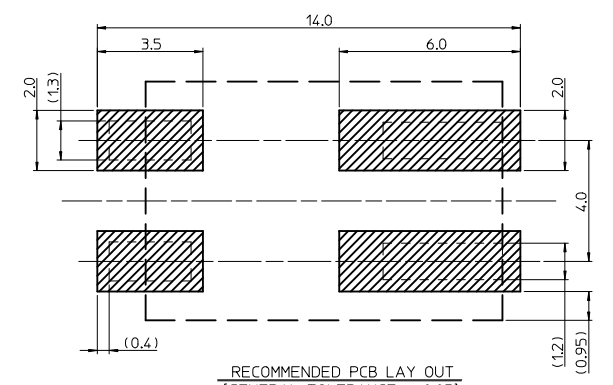


10 9 8 7 6 5 4 3 2 1



ISOMETRIV VIEW

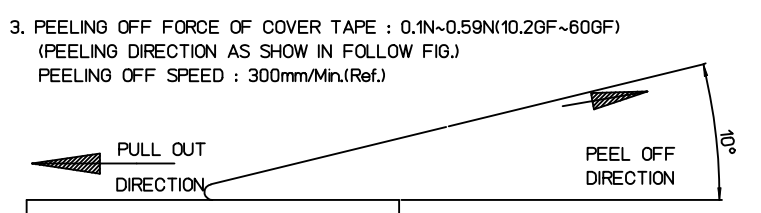
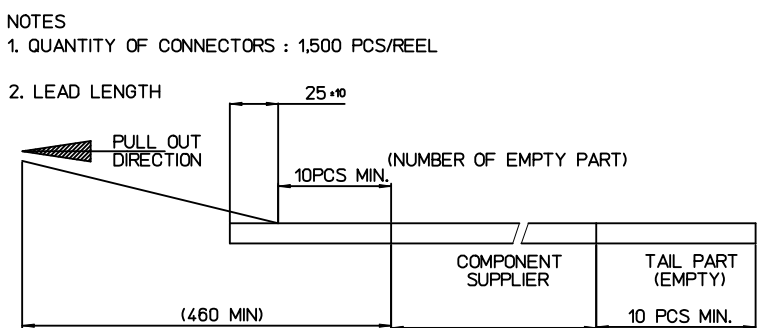
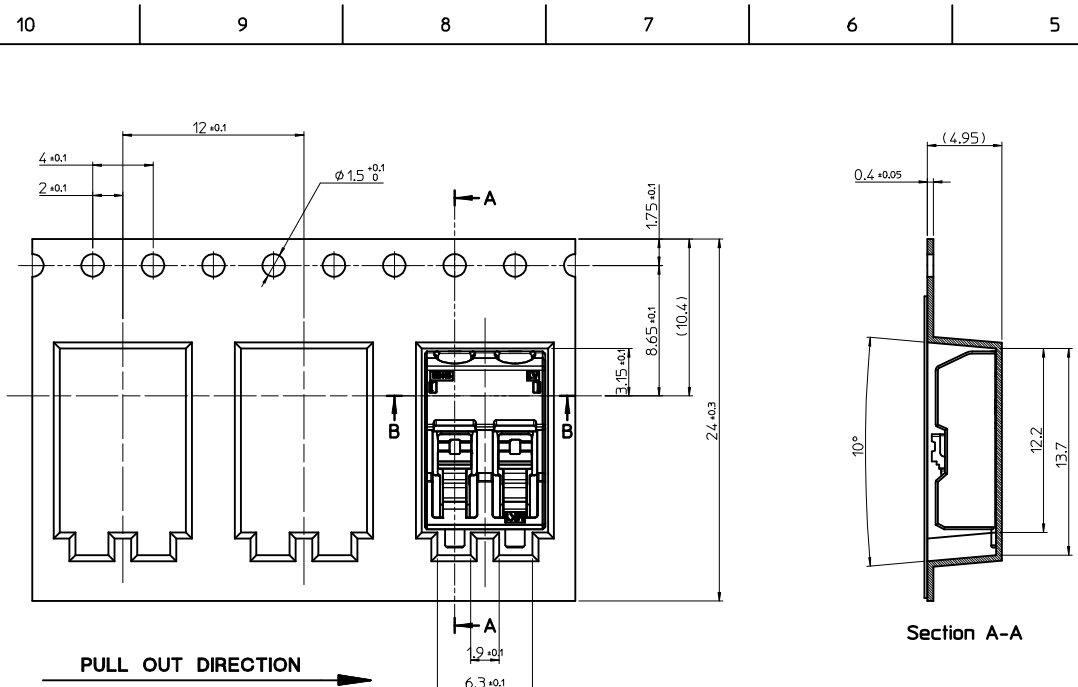


RECOMMENDED PCB LAY OUT  
(GENERAL TOLERANCE : ±0.05)

- NOTE
- MATERIAL
    - HEADER : LIQUID CRYSTAL POLYMER(LCP) UL94V-0, HALOGEN FREE, COLOR OF NATURAL
    - CONTACT TERMINAL : COPPER-ALLOY, 0.3mm THICKNESS
  - PLATING
    - CONTACT TERMINAL : TIN -PLATED
    - 1.0μm MINIMUM TIN PLATING
  - PRODUCT SPECIFICATION : PS-104188-001
  - PACKAGING SPECIFICATION : PK-104188-001
  - COPLANALITY OF SOLDER TAILS (PEAK TEMP. : 260°C), BEFORE & AFTER REFLOW : 0.08 MAX.
  - APPLICABLE WIRE RANGE :
    - (OUTSIDE WIRE INSULATION : 2.1mm DIAMETER MAX.)
    - SOLID WIRE : AWG #24~#18
    - STRAND WIRE : AWG #22~#20

PRELIMINARY REVISED EC NO: KOR2014-0075 DRWN: JSSHIN 2013/12/24 CHKD: SHCHU 2013/12/24 APPR: YSKIM02 2013/12/24	QUALITY SYMBOLS ▽=0 ◻=0	GENERAL TOLERANCES (UNLESS SPECIFIED)		DIMENSION STYLE MM ONLY		SCALE 7:1	DESIGN UNITS METRIC	THIRD ANGLE PROJECTION	
			mm	INCH	DRAWN BY	DATE	TITLE		
		4 PLACES	± ---	± ---	JSSHIN	2013/03/11	LITE-TRAP™ SMT CONNECTOR, 2 CIRCUITS  <b>molex</b>		
		3 PLACES	± ---	± ---	CHECKED BY	DATE			
2 PLACES	± 0.15	± ---	SHCHU	2013/03/11					
1 PLACE	± 0.20	± ---	APPROVED BY	DATE					
	0 PLACE	± ---	± ---	YSKIM02	2013/12/24	MATERIAL NO. 1041880210		DOCUMENT NO. SD-104188-003	
	ANGULAR ± 1 °		DRAFT WHERE APPLICABLE MUST REMAIN WITHIN DIMENSIONS		SIZE A3	SHEET NO. 1 OF 1			

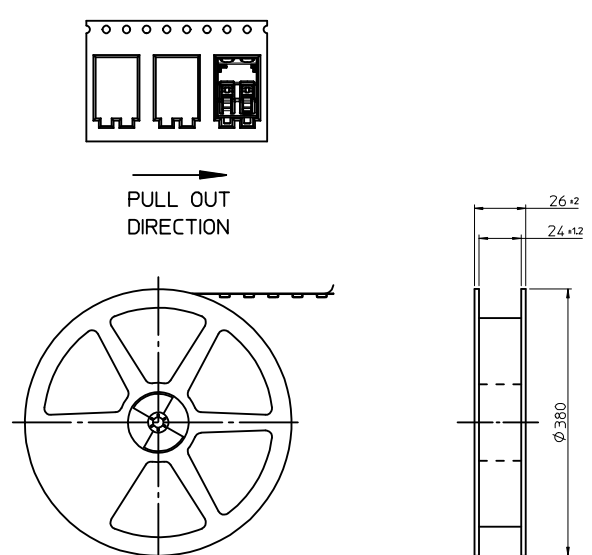
9 8 7 6 5 4 3 2 1



- NOTES
1. QUANTITY OF CONNECTORS : 1500 PCS/REEL
  2. LEAD LENGTH : 25 ± 0 (NUMBER OF EMPTY PART)
  3. PEELING OFF FORCE OF COVER TAPE : 0.1N~0.59N(10.2GF~60GF)  
(PEELING DIRECTION AS SHOW IN FOLLOW FIG.)  
PEELING OFF SPEED : 300mm/Min.(Ref.)
  4. FLASH IN ANY PORTION SHOULD BE LESS THAN 0.20mm MAX.
  5. UNLESS OTHERWISE SPECIFIED INNER R0.2 MAX

[TABLE]

1041880210	104188-0210	NATURAL	24.0mm	104188-9002
MATERIAL NO.	NO.	COLOR	TAPE WIDTH	EMBOSS TAPE
	CONNECTOR			



**PLASTIC BOBBIN**

<b>ENTER DESCRIPTION</b> EC NO: KOR2014-0075 DRWN: JSSHIN 2013/12/21 CHKD: SHCHU 2013/12/21 APPR: YSK1M02 2013/12/24	<b>QUALITY SYMBOLS</b> 	<b>GENERAL TOLERANCES (UNLESS SPECIFIED)</b>		<b>DIMENSION STYLE</b> MM ONLY	<b>SCALE</b> 3/1	<b>DESIGN UNITS</b> METRIC	THIRD ANGLE PROJECTION		
		4 PLACES ± --- ± --- 3 PLACES ± --- ± --- 2 PLACES ± 0.20 ± --- 1 PLACE ± 0.20 ± --- 0 PLACE ± --- ± ---	mm INCH ± --- ± --- ± 0.20 ± --- ± 0.20 ± --- ± --- ± ---	DRAWN BY JSSHIN	DATE 2013/03/12	TITLE S-POKE CONN. -2P LITE-TRAP™ SMT CONN 2CKT EMBOSSED PACKAGE			
		ANGULAR ± 3 °		CHECKED BY SHCHU	DATE 2013/03/12				
		<b>DESCRIPTION</b> A	<b>DRAFT WHERE APPLICABLE MUST REMAIN WITHIN DIMENSIONS</b>	APPROVED BY YSK1M02	DATE 2013/12/24	MATERIAL NO. 1041880210	DOCUMENT NO. SD-104188-004	SHEET NO. 1 OF 1	