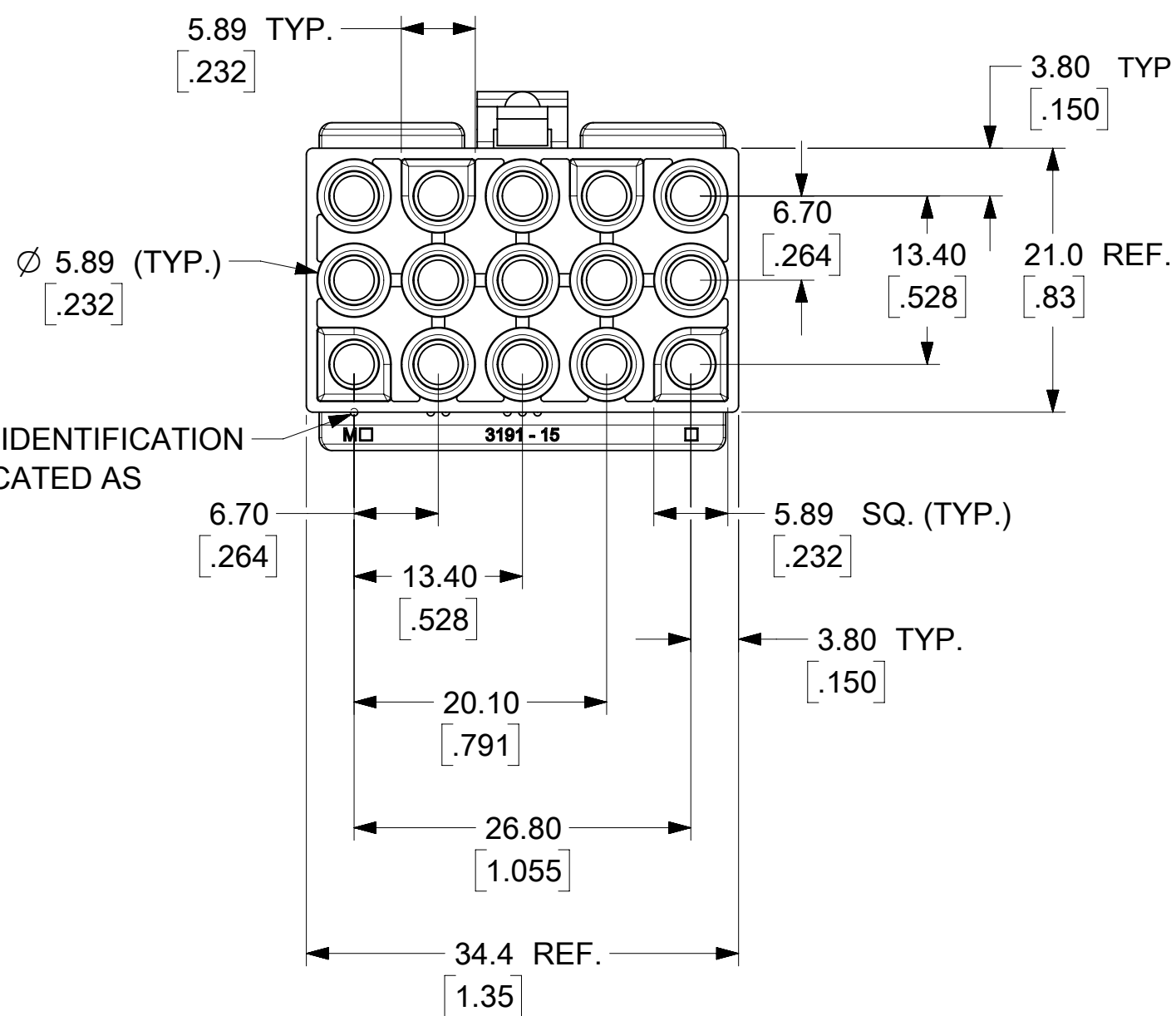
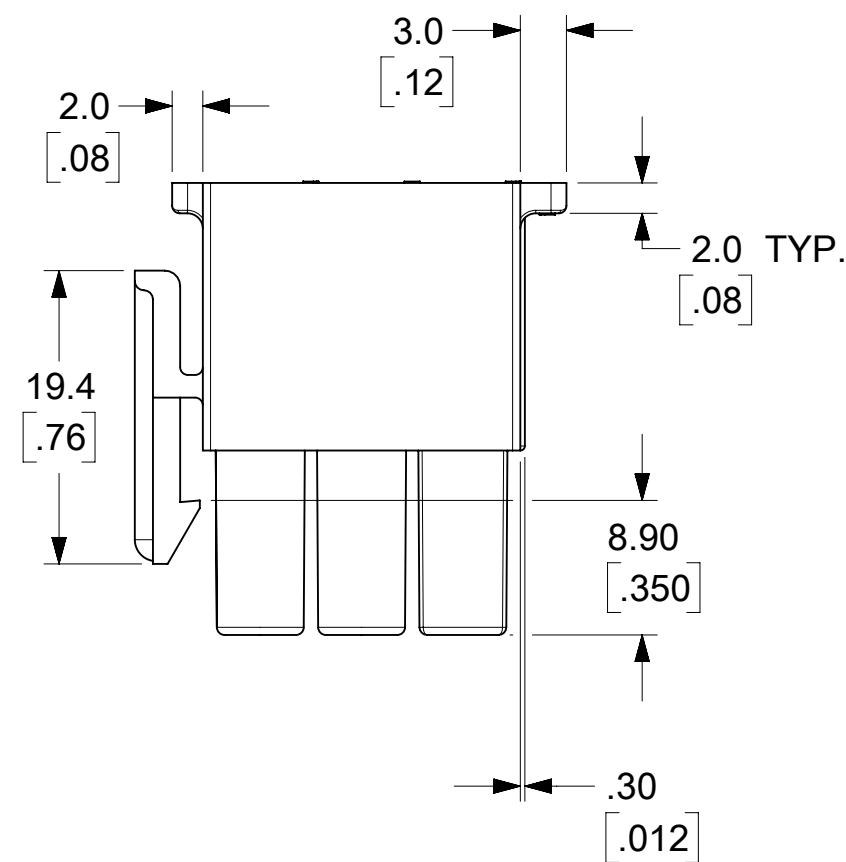
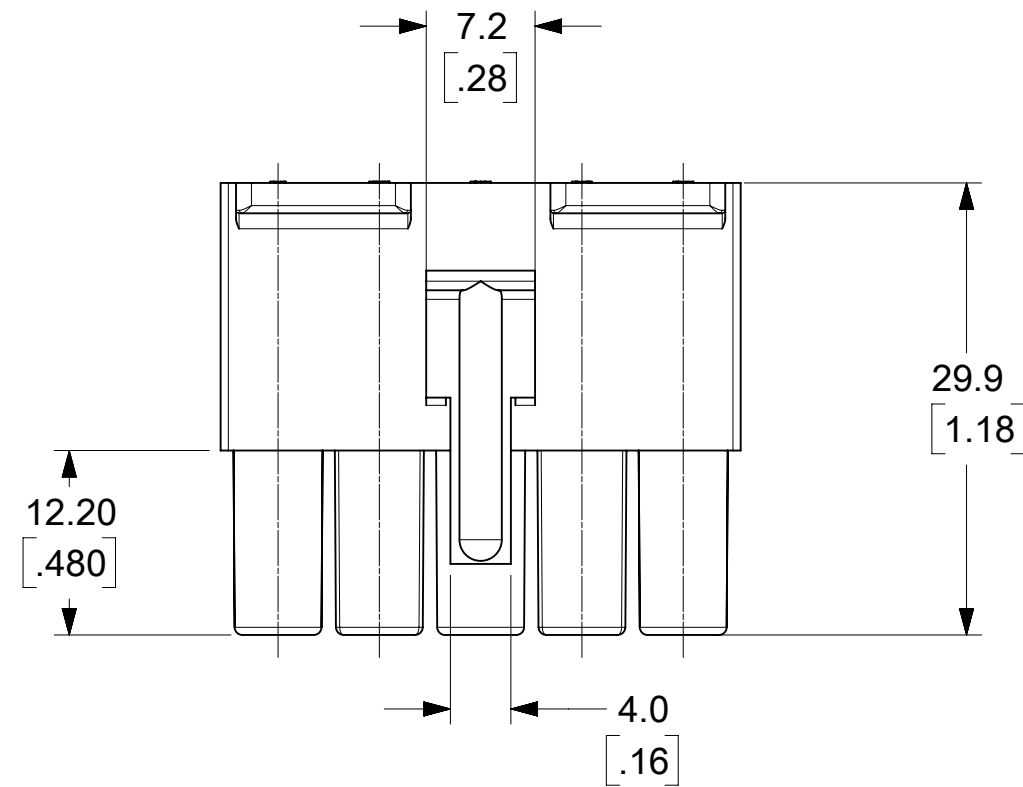
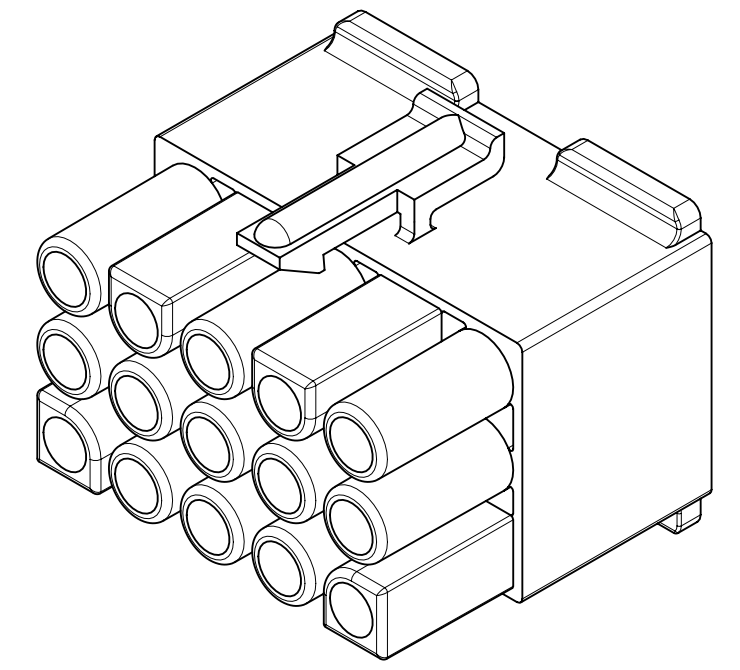
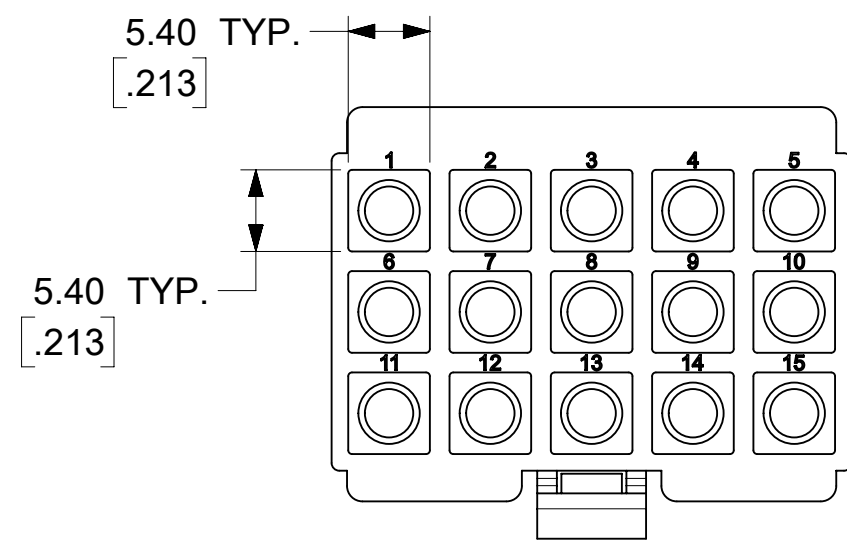


# PLUG

FUNCTIONAL SYMBOLS	THIS DRAWING CONTAINS INFORMATION THAT IS PROPRIETARY TO MOLEX ELECTRONIC TECHNOLOGIES, LLC AND SHOULD NOT BE USED WITHOUT WRITTEN PERMISSION										
	DIMENSION UNITS		SCALE		CURRENT REV DESC: OBSOLETE PART NUMBER AS PER PCN#509988						
$\frac{F}{A} = 0$	MM/INCH		2:1		<b>molex</b> .093/(2.36) HOUSING, PLUG AND RECEPTACLE, 15 CKT .264/(6.70) CTRS. PRODUCT CUSTOMER DRAWING EC NO: 704776 DRWN: SUGEEB 2022/03/29 CHK'D: GGA 2022/05/24 APPR: GGA 2022/05/24						
$\frac{F}{C} = 0$	GENERAL TOLERANCES (UNLESS SPECIFIED)										
$\frac{F}{P} = 0$	4 PLACES		±								
	3 PLACES		± 0.01								
DIVISIONAL SYMBOLS	2 PLACES		± 0.25 ± 0.014		INITIAL REVISION:						
	1 PLACE		± 0.36 ±		DRWN: AELHAG 2012/03/28		DOCUMENT NUMBER				
	0 PLACES		±		APPR: FSMITH 2012/04/25		31911500-SD		DOC TYPE		
	ANGULAR TOL ± °				THIRD ANGLE PROJECTION		DRAWING		SERIES		
DRAFT WHERE APPLICABLE MUST REMAIN WITHIN DIMENSIONS				C-SIZE		3191		MATERIAL NUMBER		CUSTOMER	
						SEE CHART		GENERAL MARKET		SHEET NUMBER	
										1 OF 3	



CIRCUIT IDENTIFICATION RIBS LOCATED AS SHOWN.

# RECEPTACLE

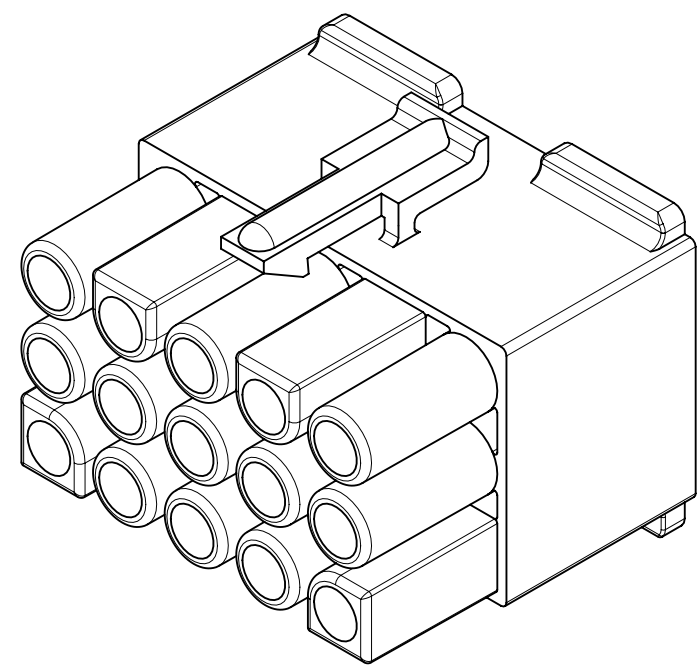
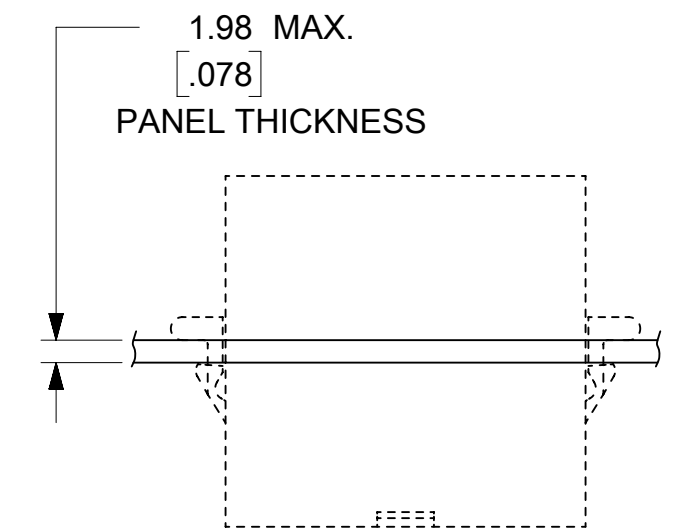
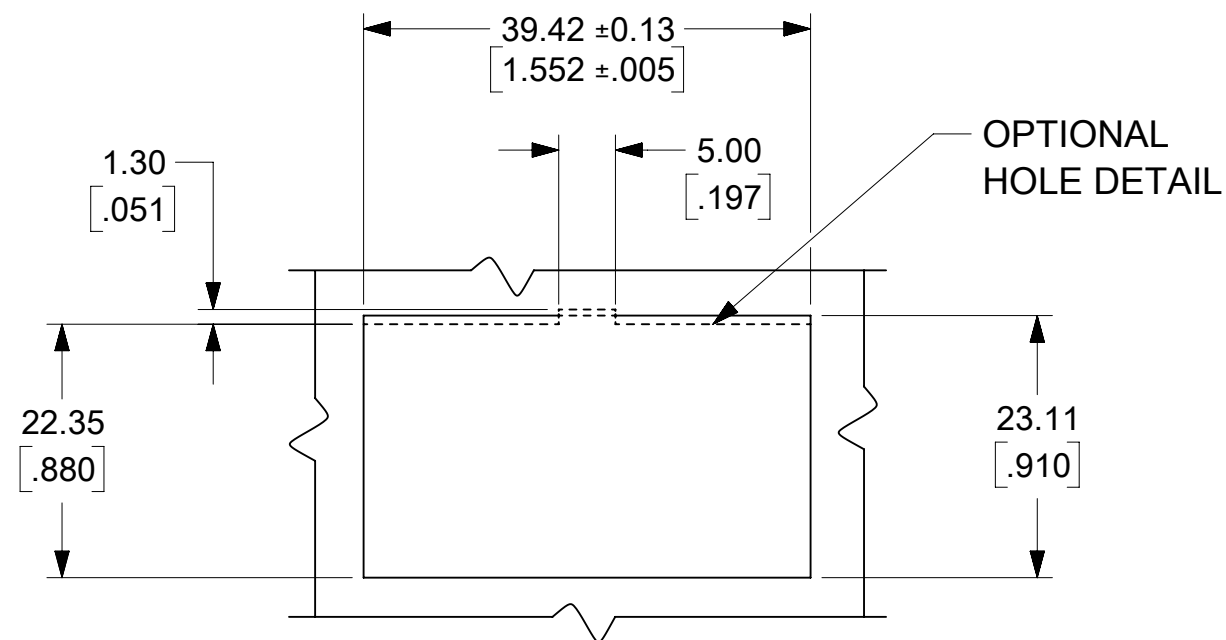
FUNCTIONAL SYMBOLS	THIS DRAWING CONTAINS INFORMATION THAT IS PROPRIETARY TO MOLEX ELECTRONIC TECHNOLOGIES, LLC AND SHOULD NOT BE USED WITHOUT WRITTEN PERMISSION									
	DIMENSION UNITS	SCALE		CURRENT REV DESC: OBSOLETE PART NUMBER AS PER PCN#509988						
$\frac{F}{A} = 0$	MM/INCH	2:1								
$\frac{F}{C} = 0$	GENERAL TOLERANCES (UNLESS SPECIFIED)									
$\frac{F}{P} = 0$	4 PLACES	±	MM	±	INCH	EC NO: 704776				2022/03/29
DIVISIONAL SYMBOLS	3 PLACES	±		±	0.01	DRWN: SUGEEB				
	2 PLACES	±	0.25	±	0.014	CHK'D: GGA				2022/05/24
	1 PLACE	±	0.36	±		APPR: GGA				2022/05/24
	0 PLACES	±		±		INITIAL REVISION:				
	ANGULAR TOL	±	°			DRWN: AELHAG				2012/03/28
	DRAFT WHERE APPLICABLE MUST REMAIN WITHIN DIMENSIONS	THIRD ANGLE PROJECTION		DRAWING	SERIES	MATERIAL NUMBER				CUSTOMER
				C-SIZE	3191	31911500-SD		PSD	000	A1
						SEE CHART		GENERAL MARKET		2 OF 3

RECEPTACLE

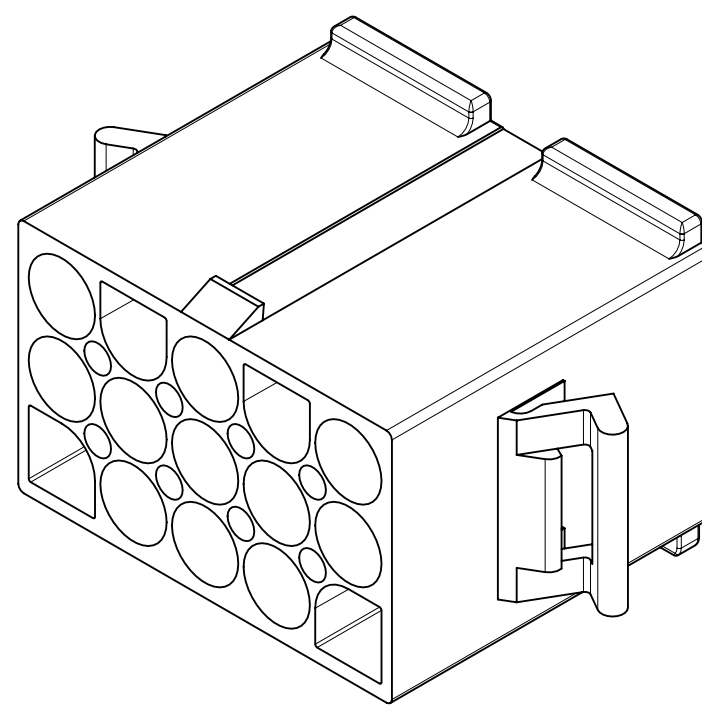
PART NO.	ENG. NO.	MATERIAL	COLOR
19-09-1159	3191-15R1	UL94V-2	NATURAL

PLUG

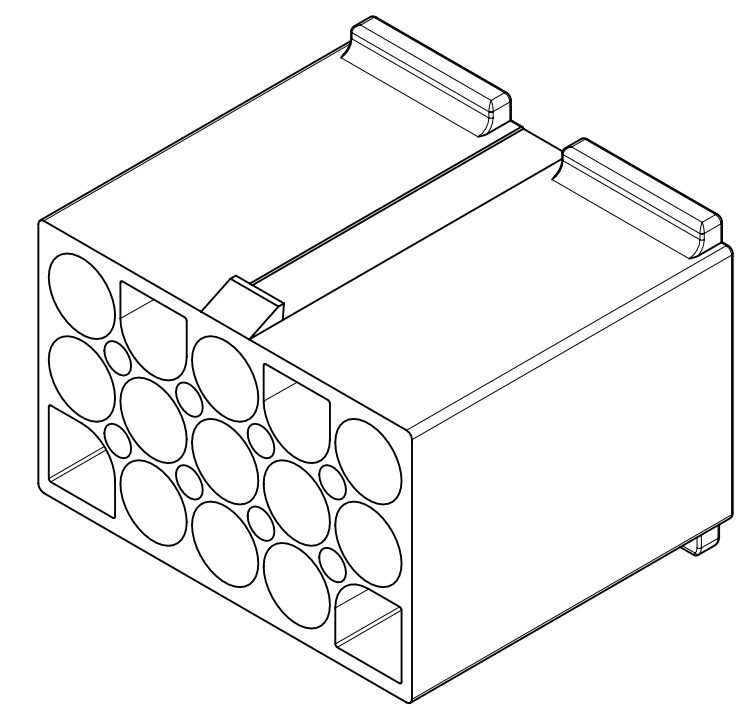
PART NO.	ENG. NO.	MOUNTING EARS	MATERIAL	COLOR
19-09-2158	3191-15P	YES	UL94V-2	NATURAL
19-09-2159	3191-15P1	NO	UL94V-2	NATURAL
19-09-2157	3191-15P-201	YES	UL94V-0	IVORY



RECEPTACLE HOUSING



PLUG PREBENT EARS



PLUG NO EARS

NOTES:

1. MATERIAL: NYLON 6/6, SEE CHART FOR UL94 RATING AND COLOR
2. FINISH: N/A
3. PRODUCT SPECIFICATION: PS-02-09
4. PACKAGING SPECIFICATION: 31910002-PK
5. THIS HOUSING FOR USE WITH MOLEX .093/(2.36) DIA. TERMINALS.
6. PARTS CONFORM TO CLASS B REQUIREMENTS OF COSMETIC SPECIFICATION PS-45499-002.
7. TEXT ON PART IS FOR REFERENCE ONLY. TEXT AND TEXT LOCATION MAY VARY DEPENDING ON PART NUMBER AND/OR TOOL.
8. THIS DRAWING REPLACES SD-3191-15R1\*-\* AND SD-3191-15P\*-\*.

FUNCTIONAL SYMBOLS FA = 0 FC = 0 FP = 0	THIS DRAWING CONTAINS INFORMATION THAT IS PROPRIETARY TO MOLEX ELECTRONIC TECHNOLOGIES, LLC AND SHOULD NOT BE USED WITHOUT WRITTEN PERMISSION				
	DIMENSION UNITS <b>MM/INCH</b>		SCALE <b>1:1</b>		
	CURRENT REV DESC: OBSOLETE PART NUMBER AS PER PCN#509988				
	GENERAL TOLERANCES (UNLESS SPECIFIED)				
DIVISIONAL SYMBOLS	MM		INCH		
	4 PLACES	±	±		
	3 PLACES	±	±	0.01	
	2 PLACES	±	±	0.014	
1 PLACE	±	±	0.36		
0 PLACES	±	±			
ANGULAR TOL		±	°		
DRAFT WHERE APPLICABLE MUST REMAIN WITHIN DIMENSIONS		THIRD ANGLE PROJECTION			
DRAWING		SERIES		MATERIAL NUMBER	
C-SIZE		3191		SEE CHART	
DRWN: SUGEEB		2022/03/29		DOCUMENT NUMBER	
CHK'D: GGA		2022/05/24		31911500-SD	
APPR: GGA		2022/05/24		PSD 000 A1	
INITIAL REVISION:		2012/03/28		DOC TYPE	
DRWN: AELHAG		2012/04/25		DOC PART	
APPR: FSMITH				REVISION	
SHEET NUMBER		CUSTOMER		3 OF 3	
		GENERAL MARKET			

**molex**

.093/(2.36) HOUSING, PLUG AND RECEPTACLE, 15 CKT .264/(6.70) CTRS.

PRODUCT CUSTOMER DRAWING

31911500-SD PSD 000 A1