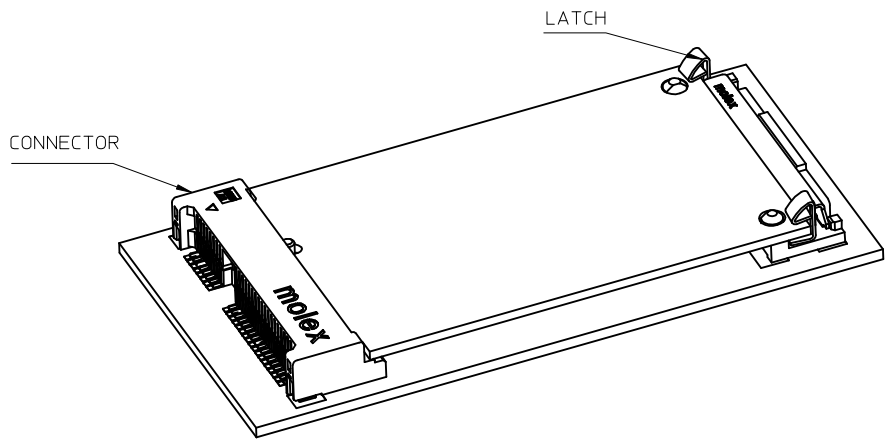
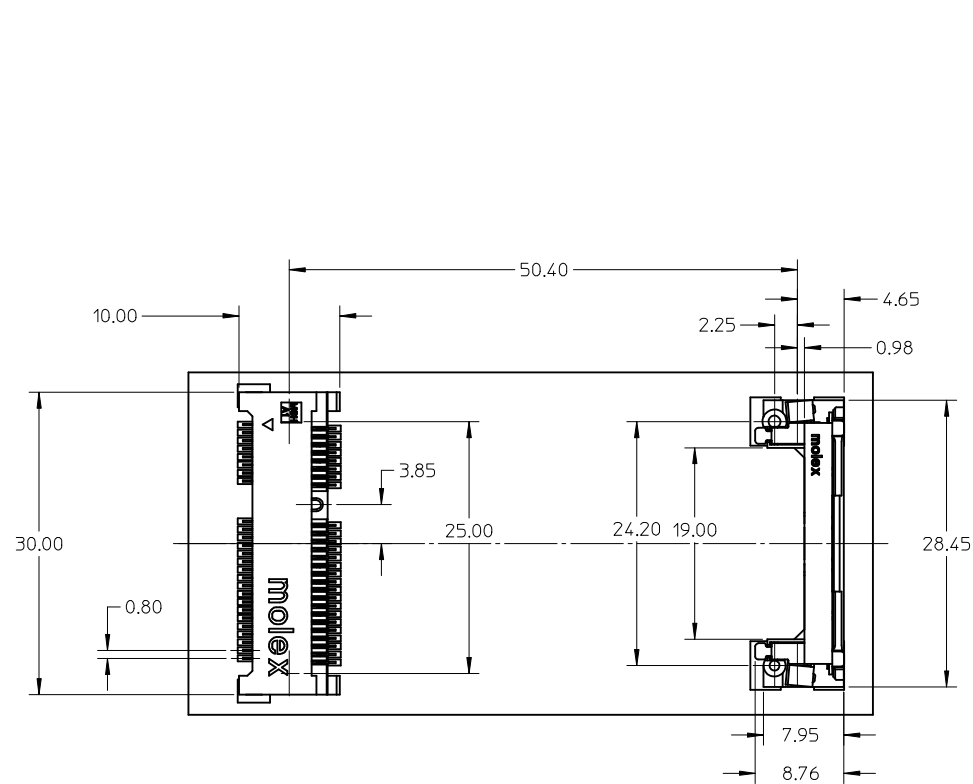
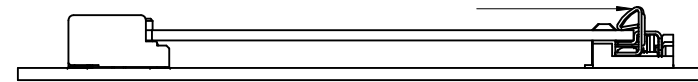


10 9 8 7 6 5 4 3 2 1

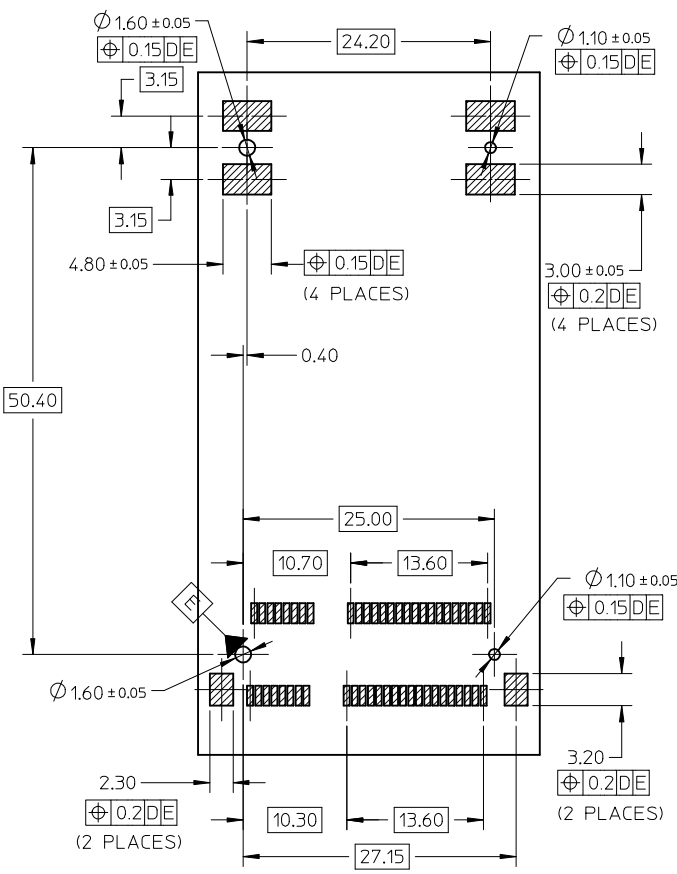
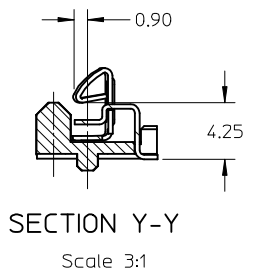
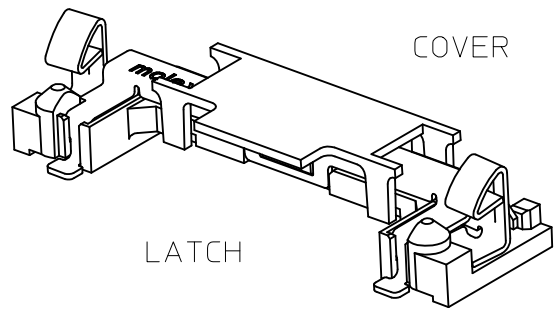
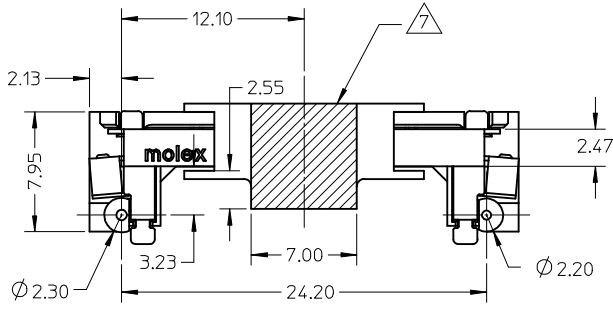
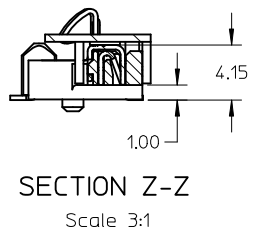


PUSH LATCH TO RELEASE MODULE

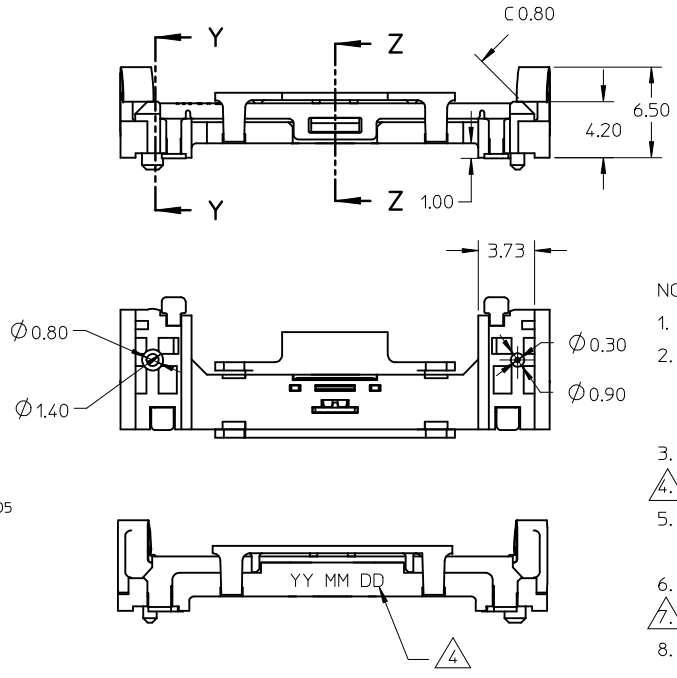


REVISED EC NO: SH2009-0388 DRW: ZHAO CHKD: APPR: HWANG	2008/12/03 2008/12/04 2008/12/09	DESCRIPTION REV	QUALITY SYMBOLS ▽=0 ◻=0	GENERAL TOLERANCES (UNLESS SPECIFIED) mm    INCH	DIMENSION STYLE MM ONLY	SCALE 1:1	DESIGN UNITS METRIC	THIRD ANGLE PROJECTION
			4 PLACES ± --- ± --- 3 PLACES ± --- ± --- 2 PLACES ± 0.25 ± --- 1 PLACE ± 0.25 ± ---	DRAWN BY    DATE DAVID HU    2005/12/14	TITLE LATCH FOR MINIPCI-E 0.8MM PITCH 52 CIRCUIT LEAD-FREE			
			ANGULAR ± 3 °	CHECKED BY    DATE HARVEY    2005/12/14	MOLEX INCORPORATED			
			DRAFT WHERE APPLICABLE MUST REMAIN WITHIN DIMENSIONS	APPROVED BY    DATE GARY    2005/12/14	MATERIAL NO. 48099-5701	DOCUMENT NO. SD-48099-006	SHEET NO. 1 OF 3	

9 8 7 6 5 4 3 2 1



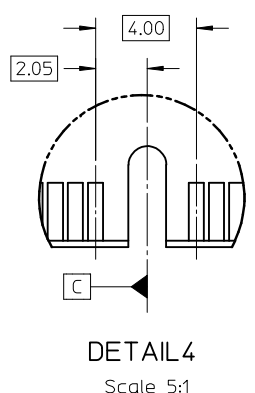
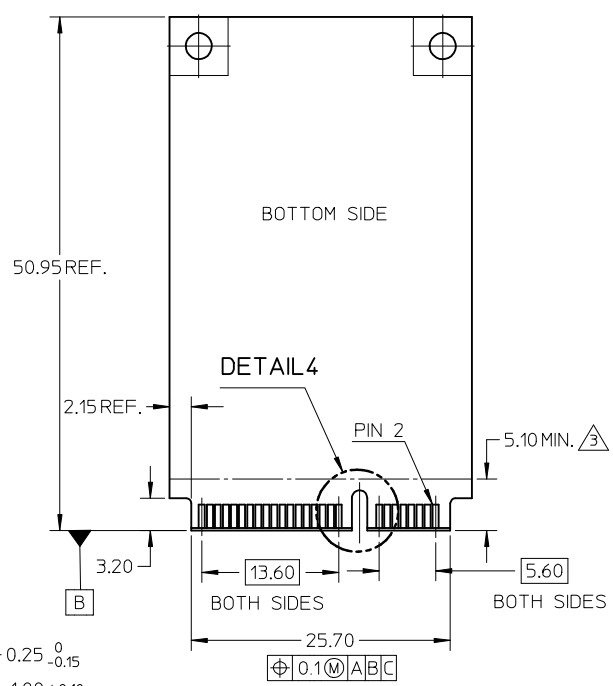
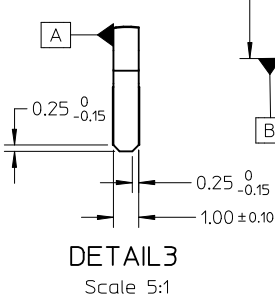
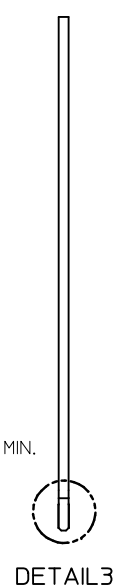
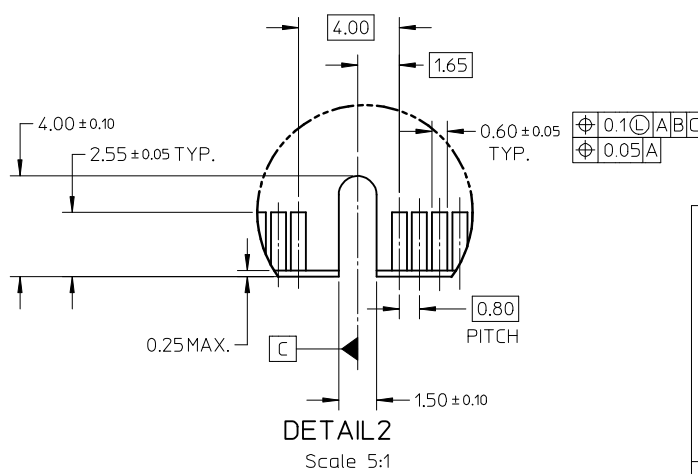
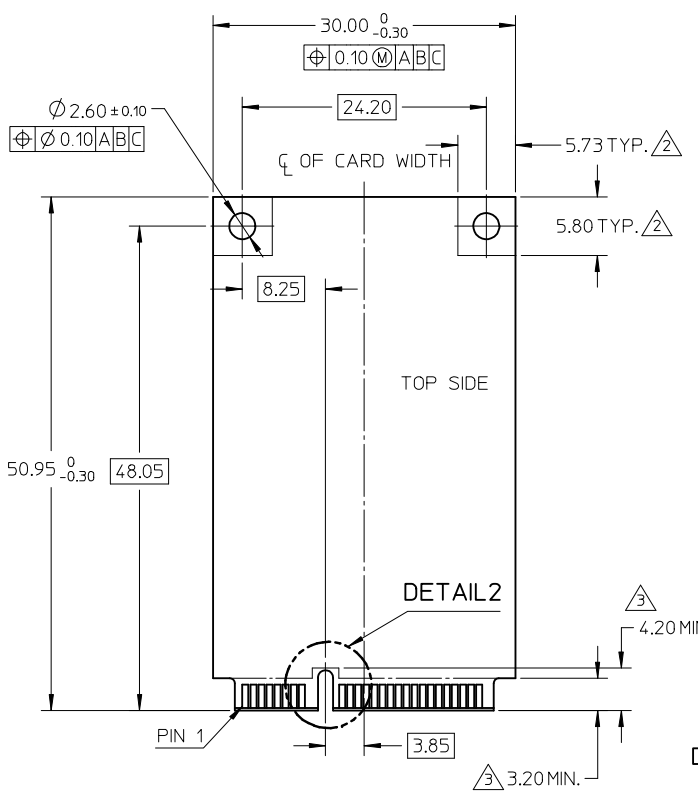
DATUM D IS THE TOP SURFACE OF PCB  
RECOMMENDED PCB LAYOUT



- NOTES:
1. THIS LATCH USES WITH MINIPCI EXPRESS CONN.
  2. HOUSING:PA46 GLASS FILLED,COLOR:BLACK UL94V-0  
METAL SHELL:STAINLESS STEEL,THICKNESS:0.3MM  
BEAM:STAINLESS STEEL,THICKNESS:0.3MM
  3. FINISH:GOLD FLASH PLATED IN SOLDER AREA.
  4. DATE CODE:YY-YEAR MM-MONTH DD-DATE
  5. THE MOUDLE CARD REFERS TO MINI PCI EXPRESS CARD  
ELECTROMECHANICAL SPECIFICATION.
  6. MATCHED CONNECTOR:67910 SERIES.
  7. FOR PICK AND PLACE AREA.
  8. PART 48099-5701 COMPLIANT TO ROHS DIRECTIVE 2002/95/EC  
AND ELV DIRECTIVE 2000/53/EC.

REVISED EC NO: SH2009-0388 DR: WINEZHAO CHKD: APPR: HWANG 2008/12/03 2008/12/04 2008/12/09	QUALITY SYMBOLS ▽=0 ◻=0	GENERAL TOLERANCES (UNLESS SPECIFIED)		DIMENSION STYLE MM ONLY		SCALE 1:1	DESIGN UNITS METRIC	THIRD ANGLE PROJECTION		
		mm	INCH	DRAWN BY	DATE	TITLE LATCH FOR MINIPCI-E 0.8MM PITCH 52 CIRCUIT LEAD-FREE				
		4 PLACES ± ---	± ---	DAVID HU	2005/12/14					
		3 PLACES ± ---	± ---	CHECKED BY	DATE	MOLEX INCORPORATED DOCUMENT NO. SD-48099-006 SHEET NO. 2 OF 3				
2 PLACES ± 0.25	± ---	HARVEY	2005/12/14							
1 PLACE ± 0.25	± ---	APPROVED BY	DATE	THIS DRAWING CONTAINS INFORMATION THAT IS PROPRIETARY TO MOLEX INCORPORATED AND SHOULD NOT BE USED WITHOUT WRITTEN PERMISSION						
ANGULAR ± 3 °		GARY	2005/12/14							
DRAFT WHERE APPLICABLE MUST REMAIN WITHIN DIMENSIONS		MATERIAL NO. 48099-5701								
		SIZE A3								

NOTES,  
 1. PIN NUMBERING REFERENCE:  
 ODD PINS-TOP SIDE  
 EVEN PINS-BOTTOM SIDE  
 2. COMPONENT AND ROUTING(ALL LAYERS)  
 KEEP OUT AREA FOR HOLD DOWN SOLUTIONS  
 3. COMPONENT KEEP OUT AREA FOR CONNECTOR



REVISED EC NO: SH2009-0388 DR: WINEZHAO CHKD: APPR: HWANG	2008/12/03 2008/12/04 2008/12/09	DESCRIPTION LATCH FOR MINI PCI-E	QUALITY SYMBOLS	GENERAL TOLERANCES (UNLESS SPECIFIED)	DIMENSION STYLE	SCALE	DESIGN UNITS	THIRD ANGLE PROJECTION
			▽=0 ◻=0	mm      INCH 4 PLACES ± --- ± --- 3 PLACES ± --- ± --- 2 PLACES ± 0.25 ± --- 1 PLACE ± 0.25 ± --- ANGULAR ± 3 °	MM ONLY	1:1	METRIC	☉    ◻    ◻ THIRD ANGLE PROJECTION
					DRAWN BY      DATE DAVID HU      2005/12/14 CHECKED BY      DATE HARVEY      2005/12/14 APPROVED BY      DATE GARY      2005/12/14	TITLE	LATCH FOR MINI PCI-E 0.8MM PITCH 52 CIRCUIT LEAD-FREE	
					MATERIAL NO. 48099-5701	DOCUMENT NO. SD-48099-006	MOLEX INCORPORATED	
			DRAFT WHERE APPLICABLE MUST REMAIN WITHIN DIMENSIONS	SIZE A3	THIS DRAWING CONTAINS INFORMATION THAT IS PROPRIETARY TO MOLEX INCORPORATED AND SHOULD NOT BE USED WITHOUT WRITTEN PERMISSION			