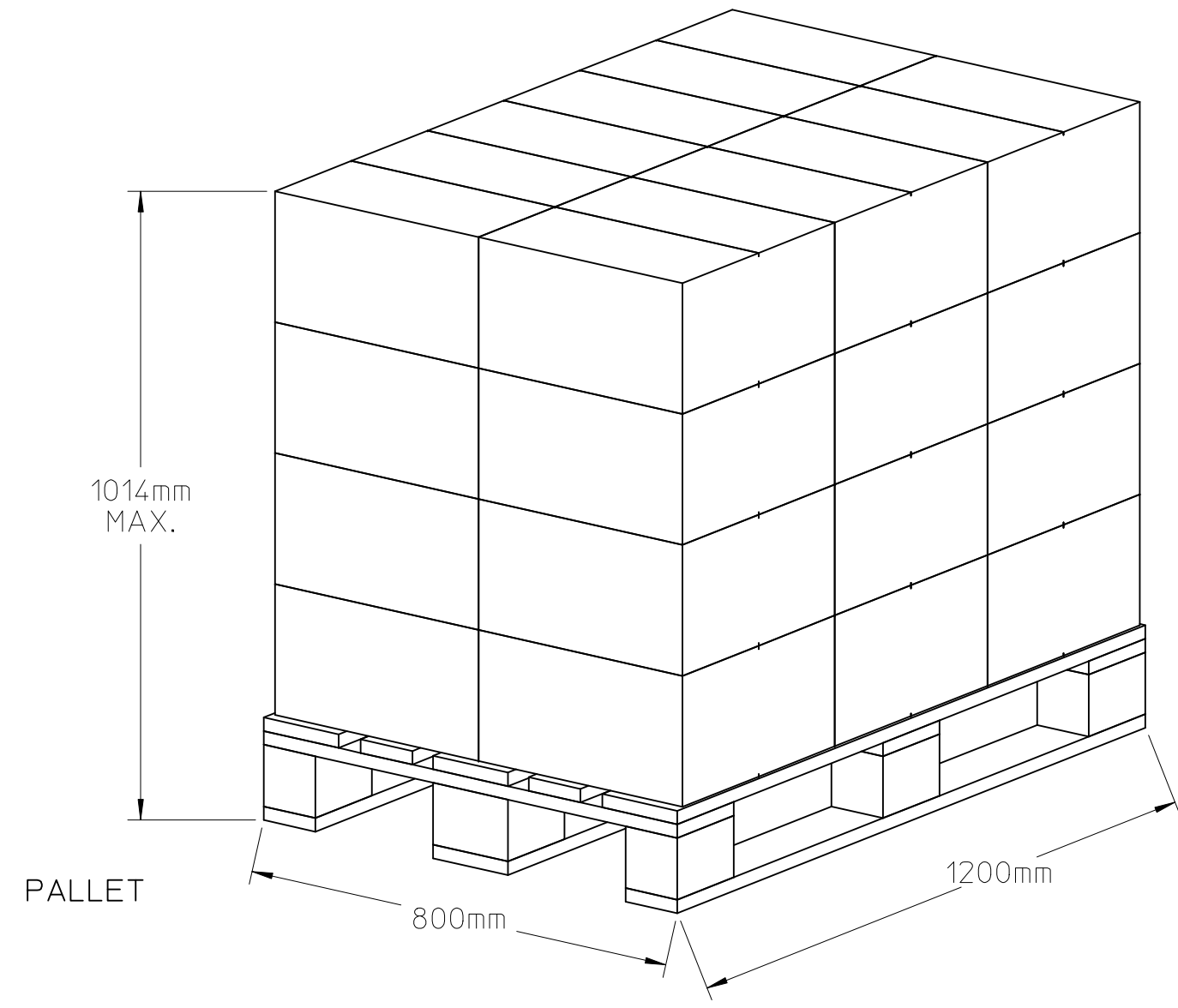
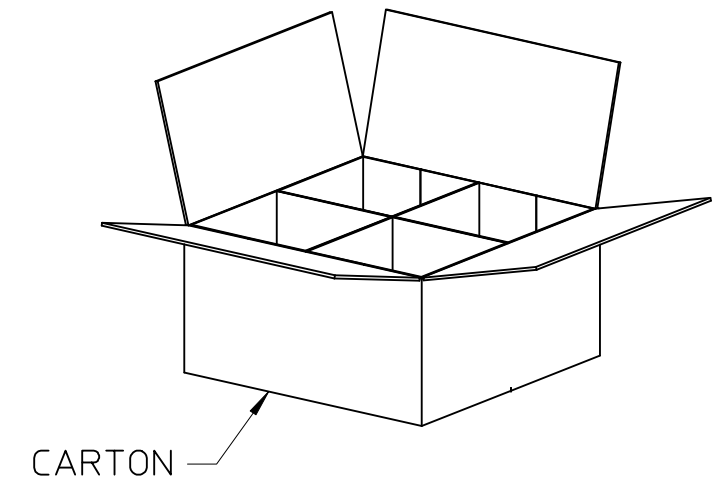
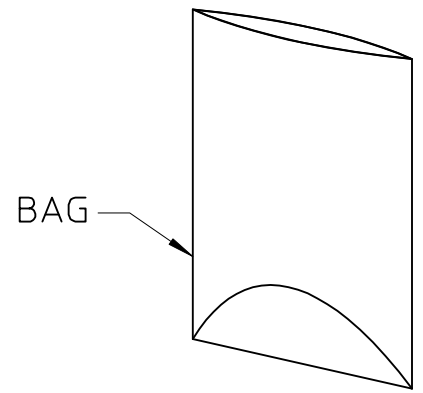


TABLE

BOLINGBROOK MOQ	PART #	DESC.	CARTON # (SEE NOTE 8)	TUBE ASSY #	BAG #	QTY/ BAG	BAG/ CTN	QTY/ CTN	DETAIL	PALLET #
15,000	034728008*	GEN Y 8 CKT ASSY	0967080015	0313005940	0885961726	625	4	2500	A	0982990038
9600	034728012*	GEN Y 12 CKT ASSY	0967080015	0313005940	0885961726	400	4	1600	A	0982990038
7200	034728016*	GEN Y 16 CKT ASSY	0967080015	0313005940	0885961726	300	4	1200	A	0982990038
7200	034728020*	GEN Y 20 CKT ASSY	0967080015	0313005940	0885961726	300	4	1200	A	0982990038
15,000	034729008*	STAC64 8 CKT ASSY	0967080015	0313005940	0885961726	625	4	2500	A	0982990038
9600	034729012*	STAC64 12 CKT ASSY	0967080015	0313005940	0885961726	400	4	1600	A	0982990038
7200	034729016*	STAC64 16 CKT ASSY	0967080015	0313005940	0885961726	300	4	1200	A	0982990038
7200	034729020*	STAC64 20 CKT ASSY	0967080015	0313005940	0885961726	300	4	1200	A	0982990038
7200TBD	034916014*	STAC64 14 CKT ASSY	0967080015	0313005940	0885961726	300TBD	4	1200TBD	A	0982990038



8. PRODUCT SHIPPED FROM WEST BOND MAY BE PACKED IN 0967080007 CARTONS.
7. ALL SHIPMENTS FROM MSH TO BOLINGBROOK MUST BE PALLETIZED IN (UP TO 4) LAYERS OF 6 CARTONS AS SHOWN. THE BOLINGBROOK MOQ SHOULD BE 6 SPQs.
6. STRETCHWRAP THE CARTONS TO THE PALLET.
5. LABEL AND PALLETIZE IF QUANTITIES JUSTIFY. ALL CARTONS MUST BE AT LEAST 1/4" FROM ALL EDGES OF THE PALLET. USE TWO LABELS PER CARTON FOR CUSTOMER SHIPMENTS; ONE FOR MOLEX INTERNAL SHIPMENTS.
4. FOLD OVER THE TOP OF THE BAG, FOLD AND TAPE THE TOP FLAPS OF THE CARTON.
3. PLACE ONE BAG INTO EACH OF THE FOUR TUBES AND FILL WITH PARTS PER THE QUANTITIY SPECIFIED IN THE TABLE.
2. FOLD AND INSERT TWO TUBE ASSEMBLIES INTO THE CARTON AS SHOWN.
1. FOLD AND TAPE THE BOTTOM FLAPS OF THE CARTON.

NOTES:

-34969*, -34927* EC NO: UAU2016-0377 DRWN: PHELPS 2015/09/16 CHKD: APPR: HZENG03 2015/10/21 A4	QUALITY SYMBOLS	GENERAL TOLERANCES (UNLESS SPECIFIED)	DIMENSION STYLE IN/MM	SCALE 1:10	DESIGN UNITS INCH	THIRD ANGLE PROJECTION																																
	$\blacktriangledown = 0$ $\triangleleft = 0$	<table border="1"> <tr> <th></th> <th>mm</th> <th>INCH</th> </tr> <tr> <td>4 PLACES</td> <td>± ---</td> <td>± ---</td> </tr> <tr> <td>3 PLACES</td> <td>± ---</td> <td>± ---</td> </tr> <tr> <td>2 PLACES</td> <td>± ---</td> <td>± ---</td> </tr> <tr> <td>1 PLACE</td> <td>± ---</td> <td>± ---</td> </tr> </table>		mm	INCH	4 PLACES	± ---	± ---	3 PLACES	± ---	± ---	2 PLACES	± ---	± ---	1 PLACE	± ---	± ---	<table border="1"> <tr> <th>DRAWN BY</th> <th>DATE</th> <th>TITLE</th> </tr> <tr> <td>P.PHELPS</td> <td>2008/09/16</td> <td rowspan="2">4-TUBE BULK PACK FOR 034728/034729/034916 IN CARTON 0967080015</td> </tr> <tr> <th>CHECKED BY</th> <th>DATE</th> </tr> <tr> <td>P.PHELPS</td> <td>2008/09/16</td> <td></td> </tr> <tr> <th>APPROVED BY</th> <th>DATE</th> <td></td> </tr> <tr> <td>JNORTHROP</td> <td>2008/09/16</td> <td></td> </tr> </table>	DRAWN BY	DATE	TITLE	P.PHELPS	2008/09/16	4-TUBE BULK PACK FOR 034728/034729/034916 IN CARTON 0967080015	CHECKED BY	DATE	P.PHELPS	2008/09/16		APPROVED BY	DATE		JNORTHROP	2008/09/16		MOLEX INCORPORATED MOLEX		
		mm	INCH																																			
	4 PLACES	± ---	± ---																																			
3 PLACES	± ---	± ---																																				
2 PLACES	± ---	± ---																																				
1 PLACE	± ---	± ---																																				
DRAWN BY	DATE	TITLE																																				
P.PHELPS	2008/09/16	4-TUBE BULK PACK FOR 034728/034729/034916 IN CARTON 0967080015																																				
CHECKED BY	DATE																																					
P.PHELPS	2008/09/16																																					
APPROVED BY	DATE																																					
JNORTHROP	2008/09/16																																					
DRAFT WHERE APPLICABLE MUST REMAIN WITHIN DIMENSIONS	ANGULAR ± 1 °	SEE TABLE	DOCUMENT NO. PK-31301-201		SHEET NO. 1 OF 1																																	
		SIZE C	THIS DRAWING CONTAINS INFORMATION THAT IS PROPRIETARY TO MOLEX INCORPORATED AND SHOULD NOT BE USED WITHOUT WRITTEN PERMISSION																																			